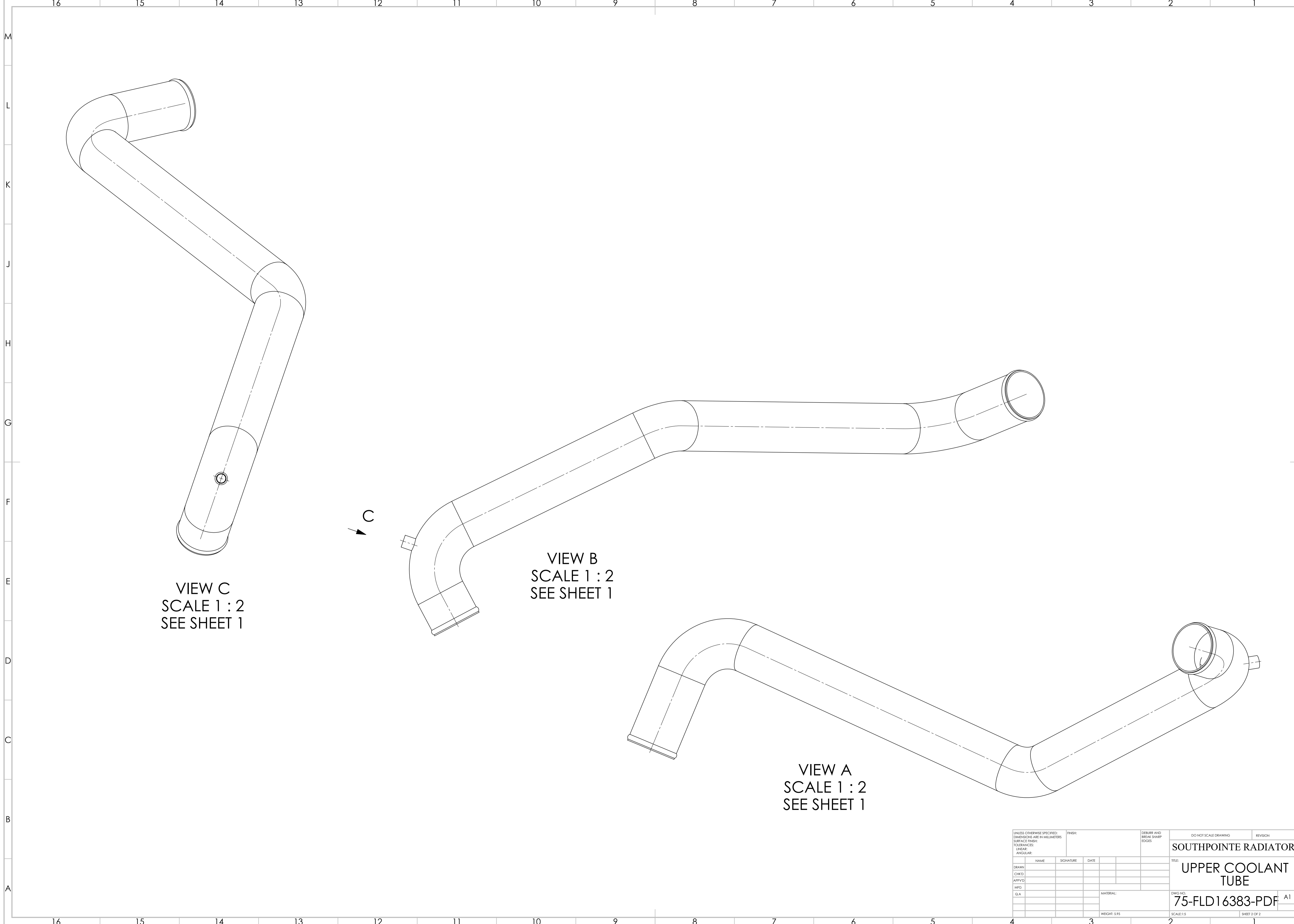


B
SEE SHEET 2

A
SEE SHEET 2

UNLESS OTHERWISE SPECIFIED: DIMENSIONS ARE IN MILLIMETERS		FINISH:	DEBURR AND BREAK SHARP EDGES		DO NOT SCALE DRAWING	REVISION
SURFACE FINISH:				TITLE:		
TOLERANCES:				UPPER COOLANT TUBE		
LINEAR:				DWG NO:		
ANGULAR:				75-FLD16383-PDF		A1
NAME	SIGNATURE	DATE		MATERIAL:		
DRAWN						
CHEK						
APPV						
MFG						
Q.A.						
				WEIGHT: 5.95		
				SCALE: 1:1.5		SHEET 1 OF 2



VIEW C
SCALE 1 : 2
SEE SHEET 1

VIEW B
SCALE 1 : 2
SEE SHEET 1

VIEW A
SCALE 1 : 2
SEE SHEET 1

UNLESS OTHERWISE SPECIFIED: DIMENSIONS ARE IN MILLIMETERS		FINISH:	DEBURR AND BREAK SHARP EDGES		DO NOT SCALE DRAWING	REVISION
SURFACE FINISH:				SOUTHPOINTE RADIATOR		
TOLERANCES:				UPPER COOLANT TUBE		
LINEAR:				DWG NO.		A1
ANGULAR:				75-FLD16383-PDF		
NAME	SIGNATURE	DATE		SCALE: 1:5		SHEET 2 OF 2
DRAWN						
CHEK						
APPV'D						
MFG						
Q.A.						
			MATERIAL:			
			WEIGHT: 5.95			