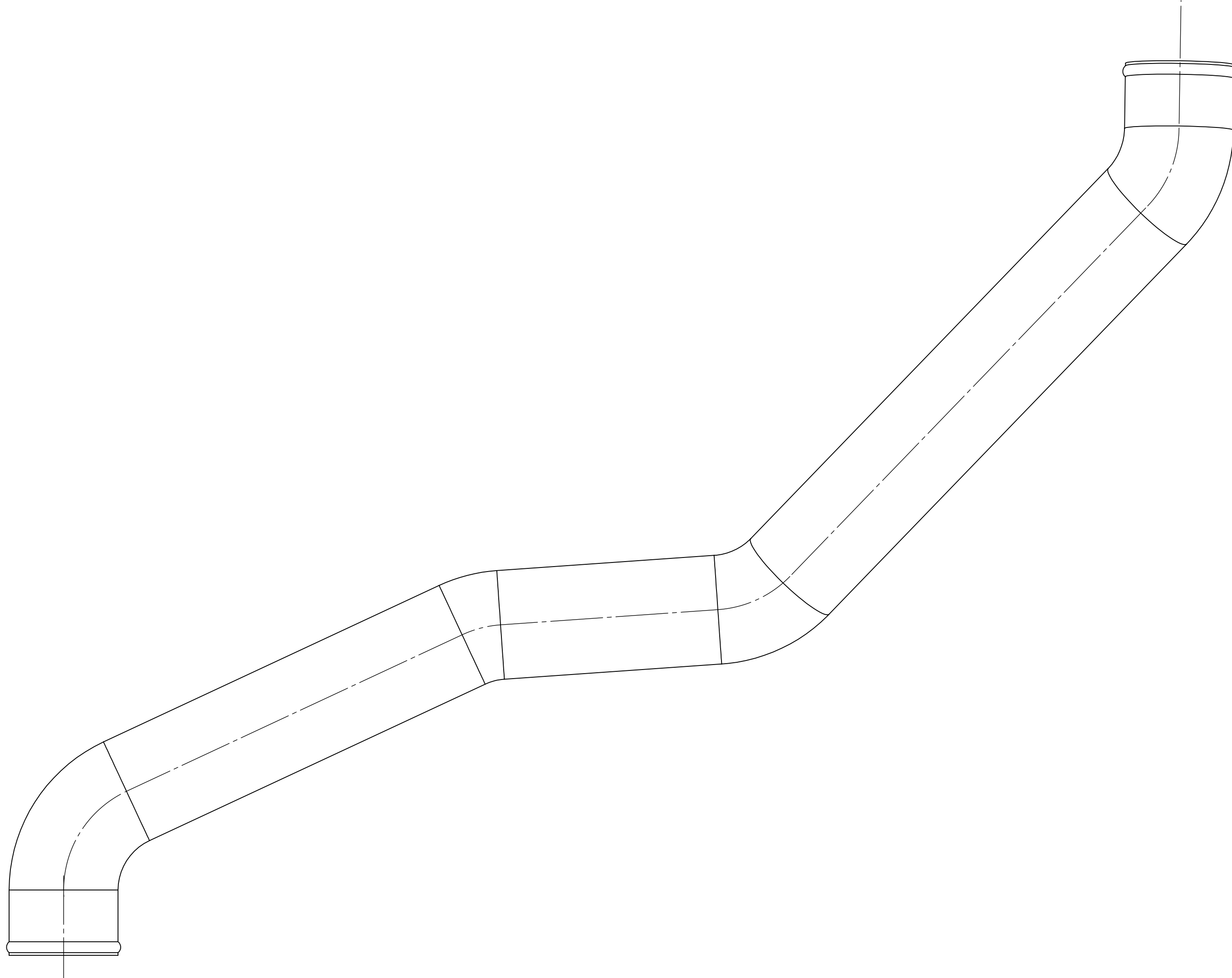
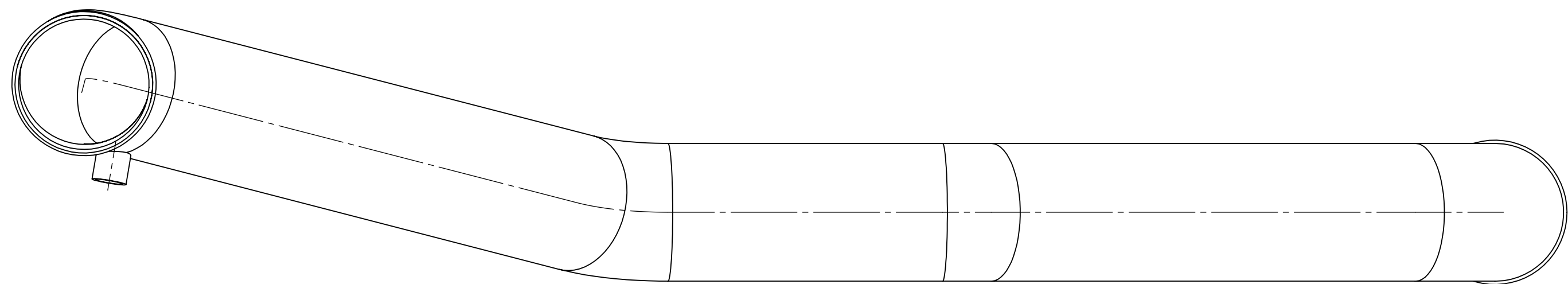


16 15 14 13 12 11 10 9 8 7 6 5 4 3 2 1

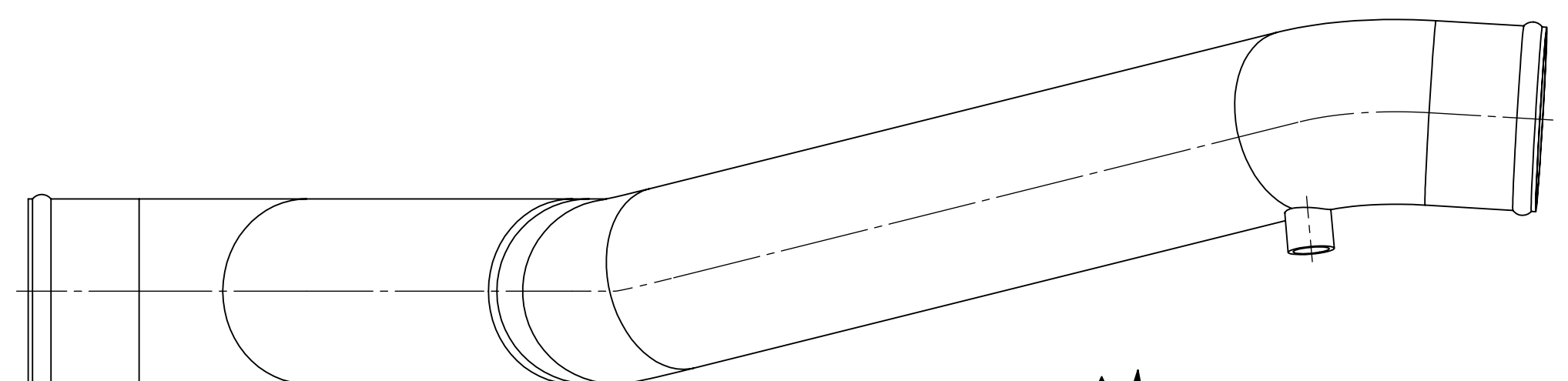
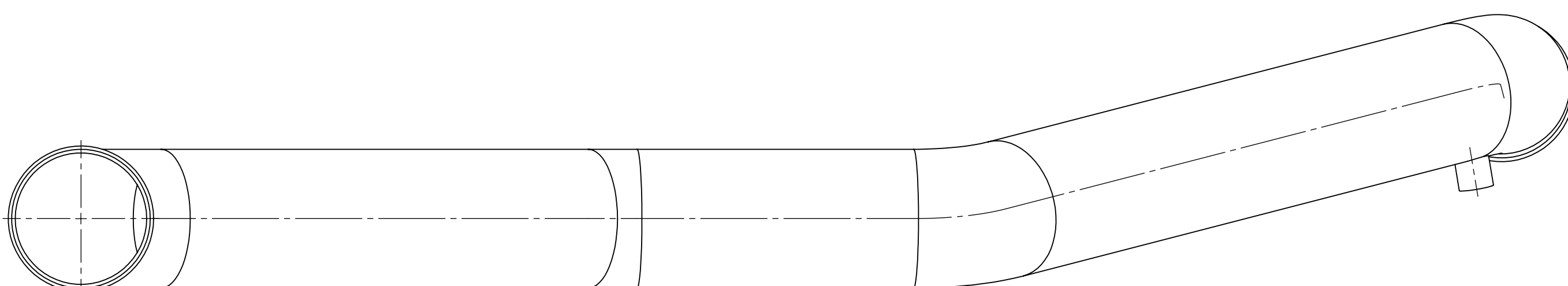
M
L
K
J
H
G
F
E
D
C
B
A



ISO VIEW



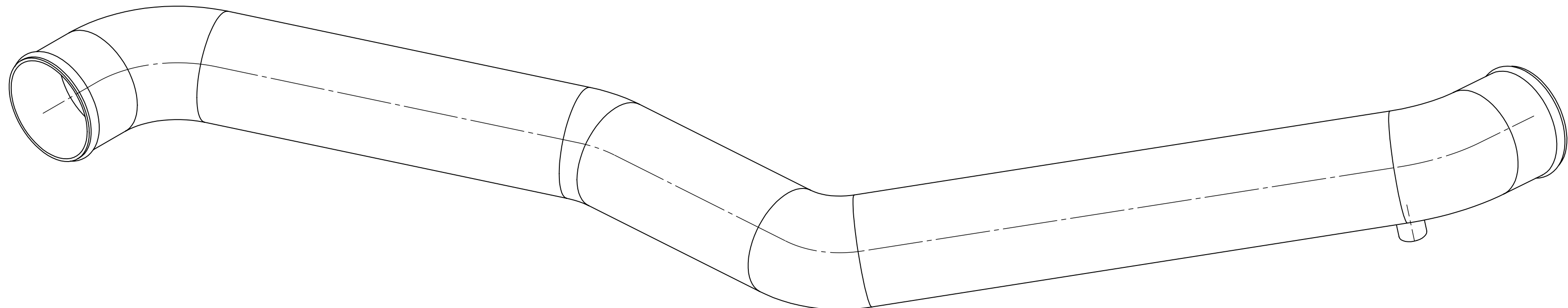
VIEW D



VIEW D

A↑

SEE SHEET 2

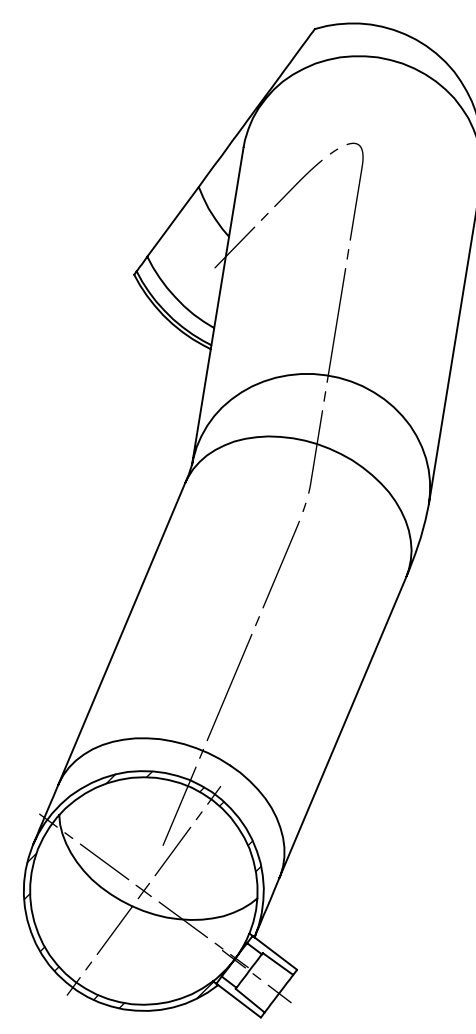


UNLESS OTHERWISE SPECIFIED: DIMENSIONS ARE IN MILLIMETERS		FINISH:	DEBURR AND BREAK SHARP EDGES		DO NOT SCALE DRAWING	REVISION
SURFACE FINISH:				SOUTHPOINTE RADIATOR		
TOLERANCES:				UPPER COOLANT TUBE		
LINEAR:				DWG NO:		A1
ANGULAR:				75-FLD16862-PDF		
NAME	SIGNATURE	DATE		MATERIAL:		SCALE: 1:1.5
DRAWN:				WEIGHT: 5.25		SHEET 1 OF 2
CHECKED:						
APPROVED:						
MFG:						
Q.A.						

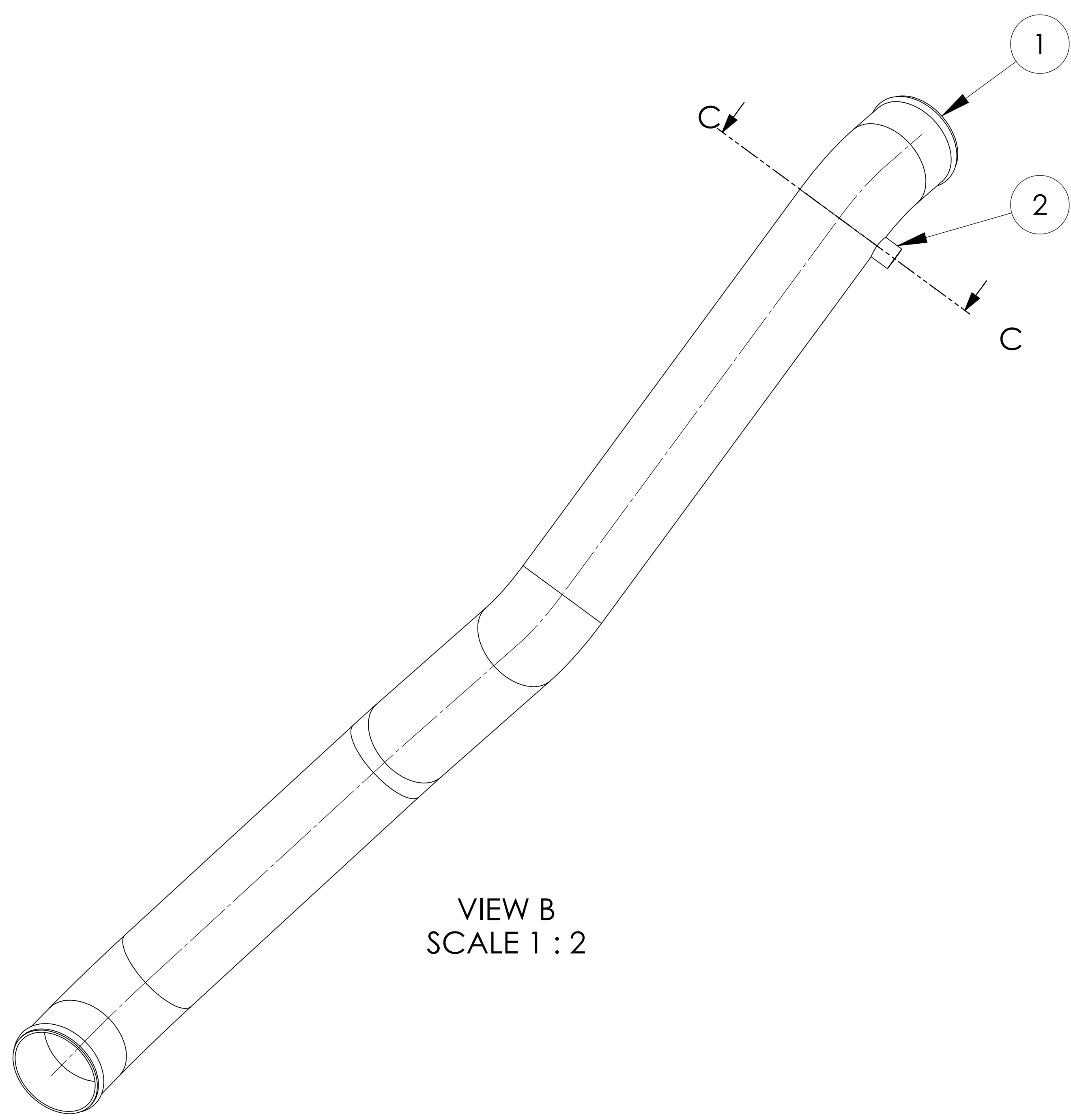
16 15 14 13 12 11 10 9 8 7 6 5 4 3 2 1

16 15 14 13 12 11 10 9 8 7 6 5 4 3 2 1

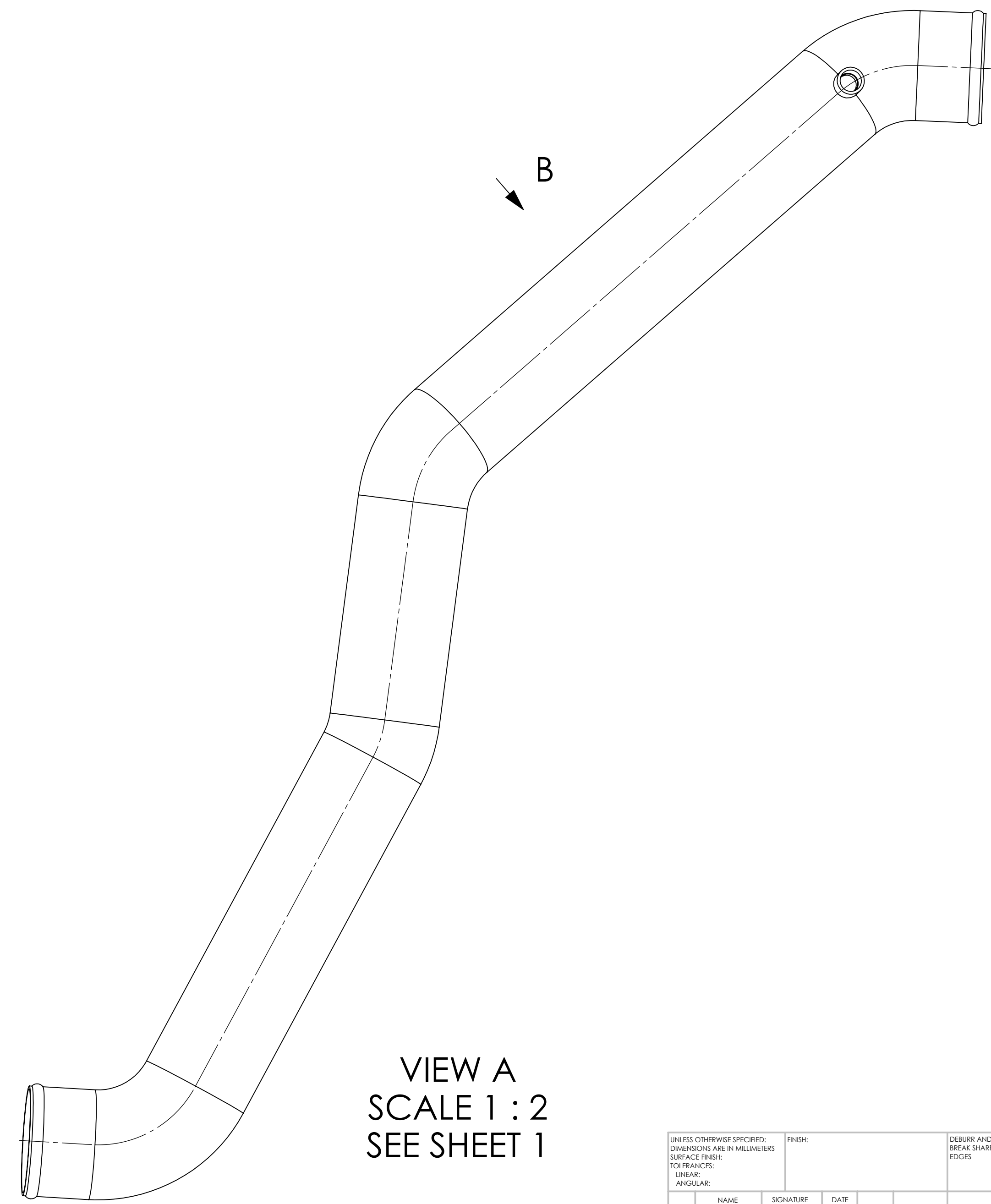
M
L
K
J
H
G
F
E
D
C
B
A



SECTION C-C
SCALE 1:2



VIEW B
SCALE 1:2



VIEW A
SCALE 1:2
SEE SHEET 1

UNLESS OTHERWISE SPECIFIED: DIMENSIONS ARE IN MILLIMETERS		FINISH:	DEBURR AND BREAK SHARP EDGES		DO NOT SCALE DRAWING	REVISION
SURFACE FINISH:				SOUTHPOINTE RADIATOR		
TOLERANCES:				UPPER COOLANT		
LINEAR:				TUBE		
ANGULAR:				75-FLD16862-PDF		A1
NAME	SIGNATURE	DATE				
DRAWN						
CHEK						
APPV						
MFG						
Q.A.						
MATERIAL:			WEIGHT: 5.25		SCALE: 1:5	SHEET 2 OF 2

16 15 14 13 12 11 10 9 8 7 6 5 4 3 2 1