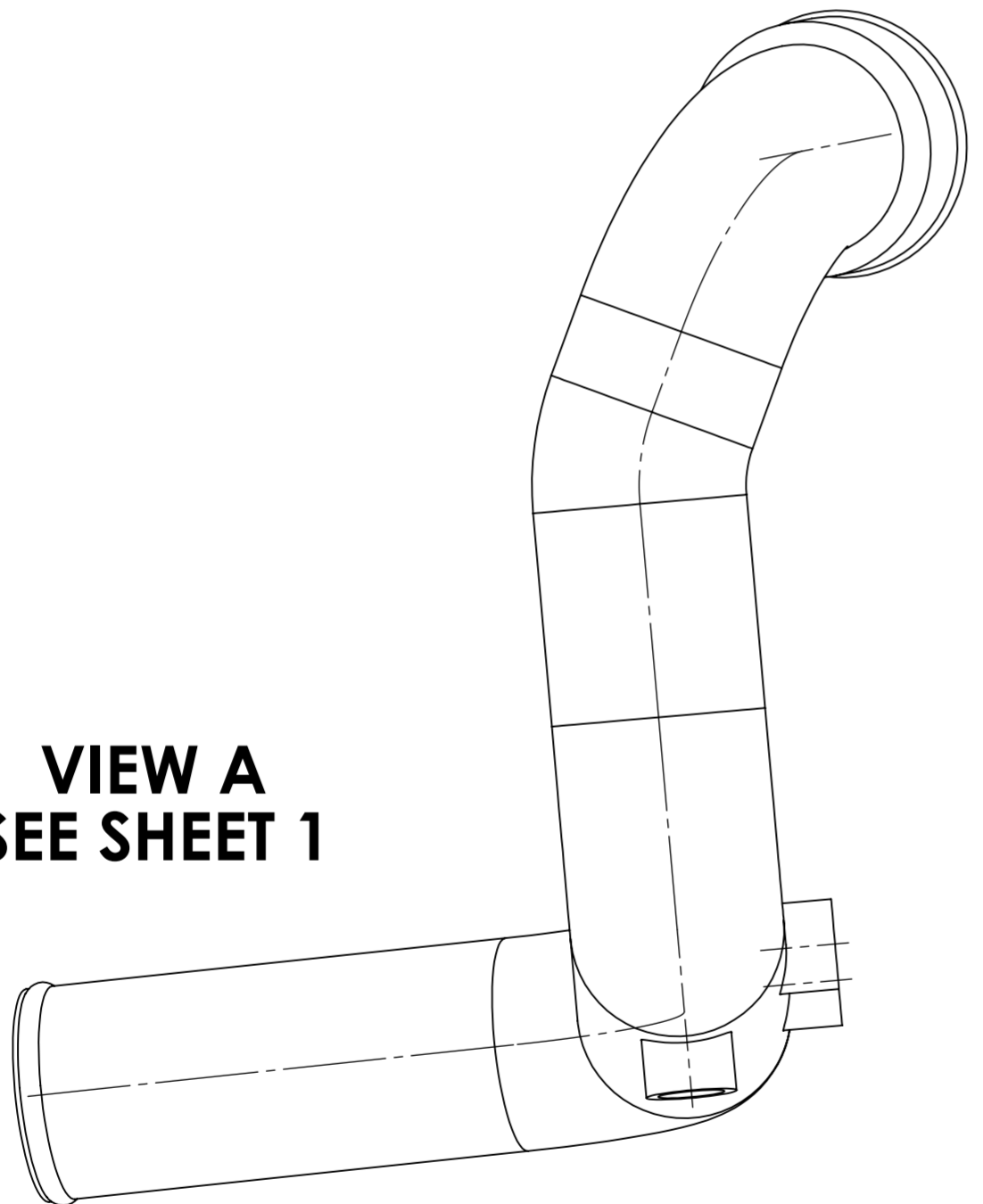




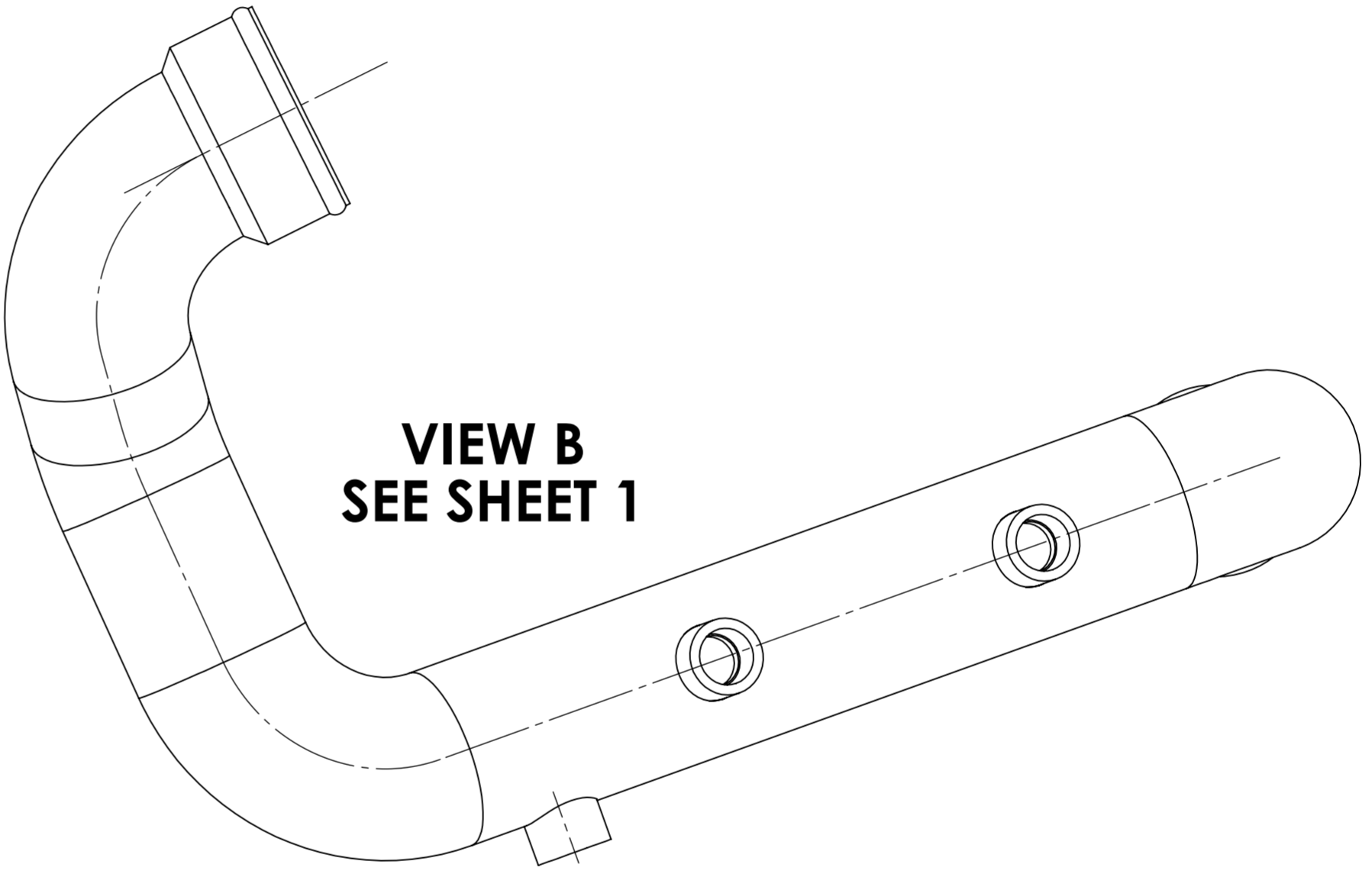
12 11 10 9 8 7 6 5 4 3 2 1

H  
G  
F  
E  
D  
C  
B  
A

**VIEW A  
SEE SHEET 1**



**VIEW B  
SEE SHEET 1**



UNLESS OTHERWISE SPECIFIED: DIMENSIONS ARE IN MILLIMETERS				FINISH:		DEBURR AND BREAK SHARP EDGES		DO NOT SCALE DRAWING		REVISION
SURFACE FINISH:								TITLE:		
TOLERANCES:								SOUTHPOINTE RADIATOR		
LINEAR:								LOWER COOLANT TUBE		
ANGULAR:								DWG NO.		
DRAWN	NAME	SIGNATURE	DATE					75-FLD19982-PDF		A2
CHK'D										
APPV'D										
MFG										
Q.A.							MATERIAL:			
							WEIGHT: 5.10			
								SCALE:1:2	SHEET 2 OF 2	

12 11 10 9 8 7 6 5 4 3 2 1