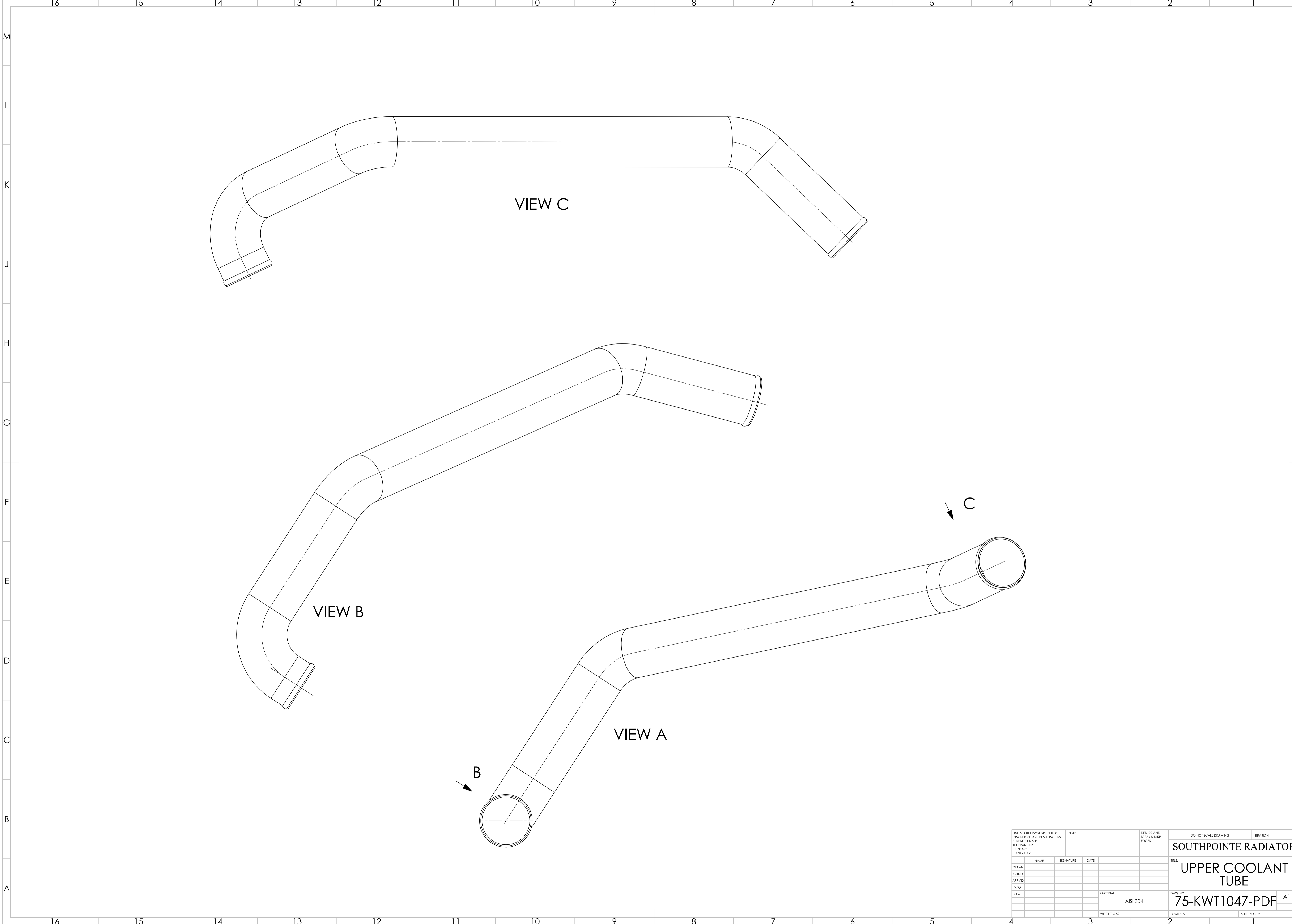


ISO VIEW

A SEE SHEET 2

UNLESS OTHERWISE SPECIFIED: DIMENSIONS ARE IN MILLIMETERS		FINISH:	DEBURR AND BREAK SHARP EDGES		DO NOT SCALE DRAWING	REVISION
SURFACE FINISH:				TITLE:		
TOLERANCES:				UPPER COOLANT TUBE		
LINEAR:				DWG NO:		A1
ANGULAR:				75-KWT1047-PDF		
NAME	SIGNATURE	DATE		MATERIAL:	SCALE:1:2 SHEET 1 OF 2	
DRAWN				AISI 304		
CHEK						
APPVD						
MFG						
Q.A.						
				WEIGHT: 5.52		



UNLESS OTHERWISE SPECIFIED: DIMENSIONS ARE IN MILLIMETERS		FINISH:	DEBURR AND BREAK SHARP EDGES		DO NOT SCALE DRAWING	REVISION
SURFACE FINISH:				TITLE:		
TOLERANCES:				UPPER COOLANT TUBE		
LINEAR:				DWG NO:		A1
ANGULAR:				75-KWT1047-PDF		
NAME	SIGNATURE	DATE		MATERIAL:	SCALE: 1:2	
				AISI 304	SHEET 2 OF 2	
DRAWN:				WEIGHT: 5.52		
CHEK:						
APPV:						
MFG:						
Q.A.						