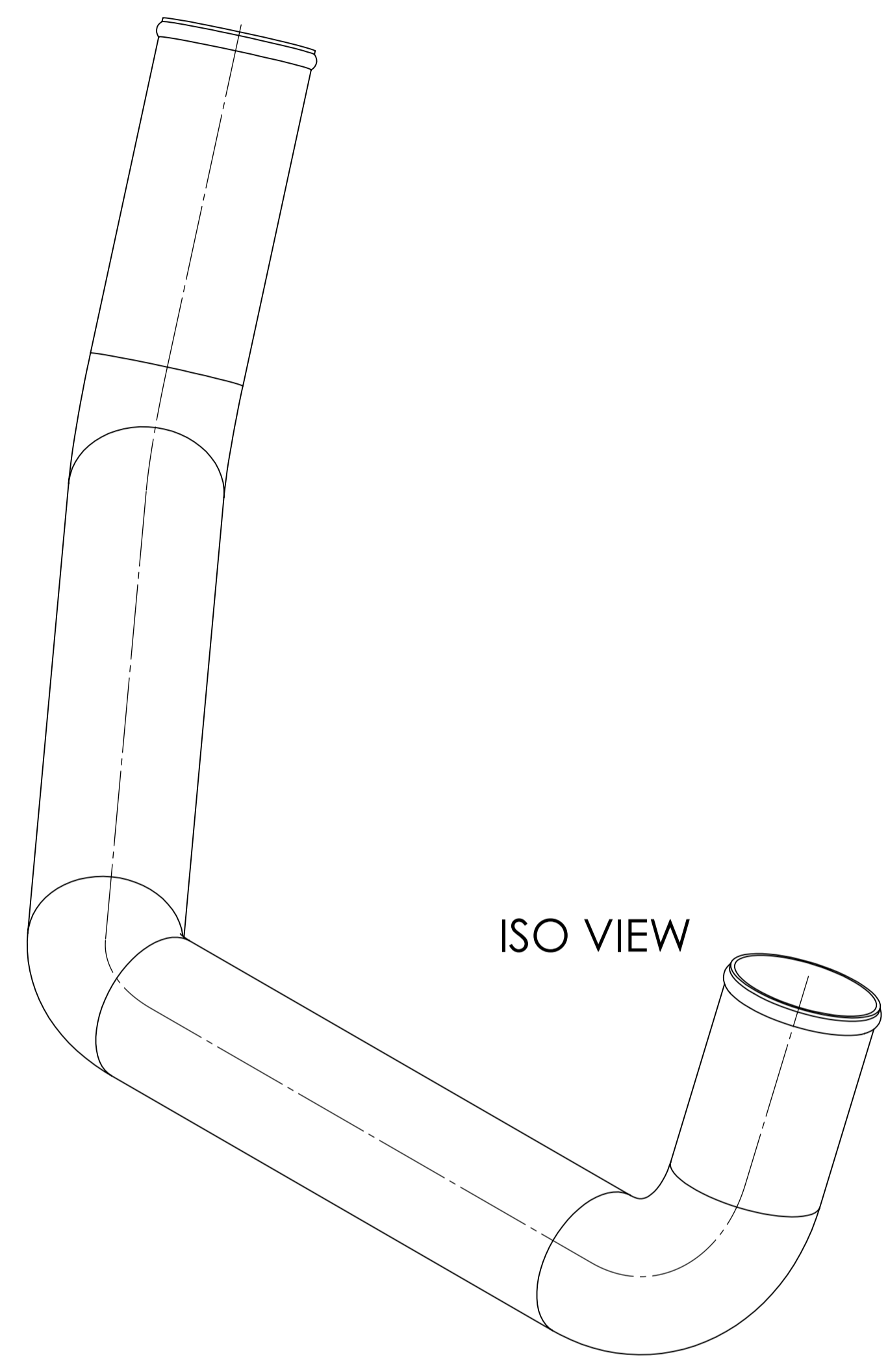
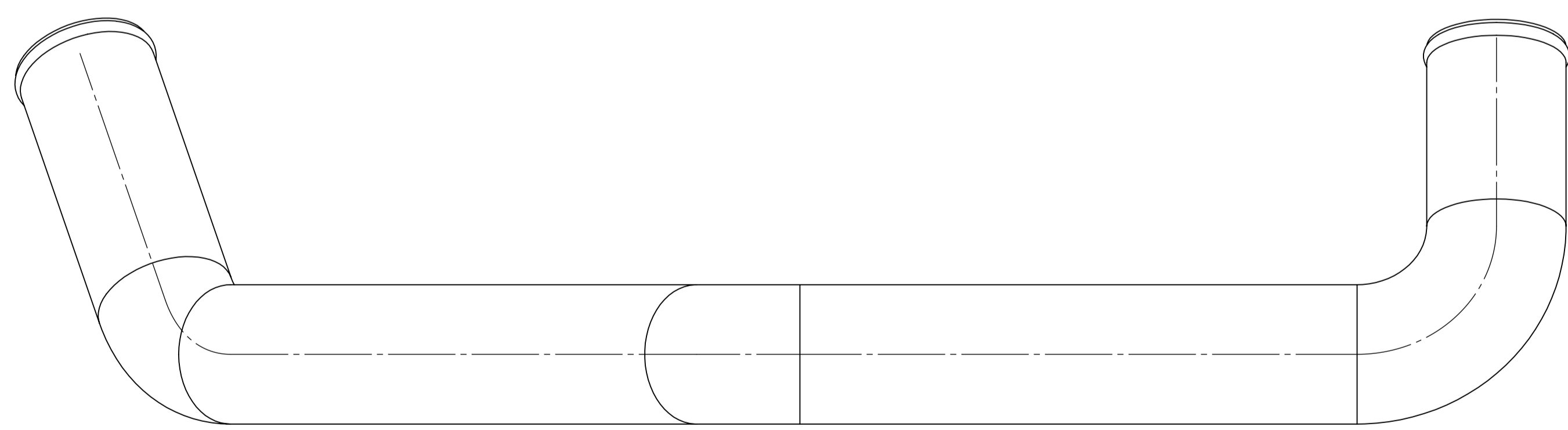
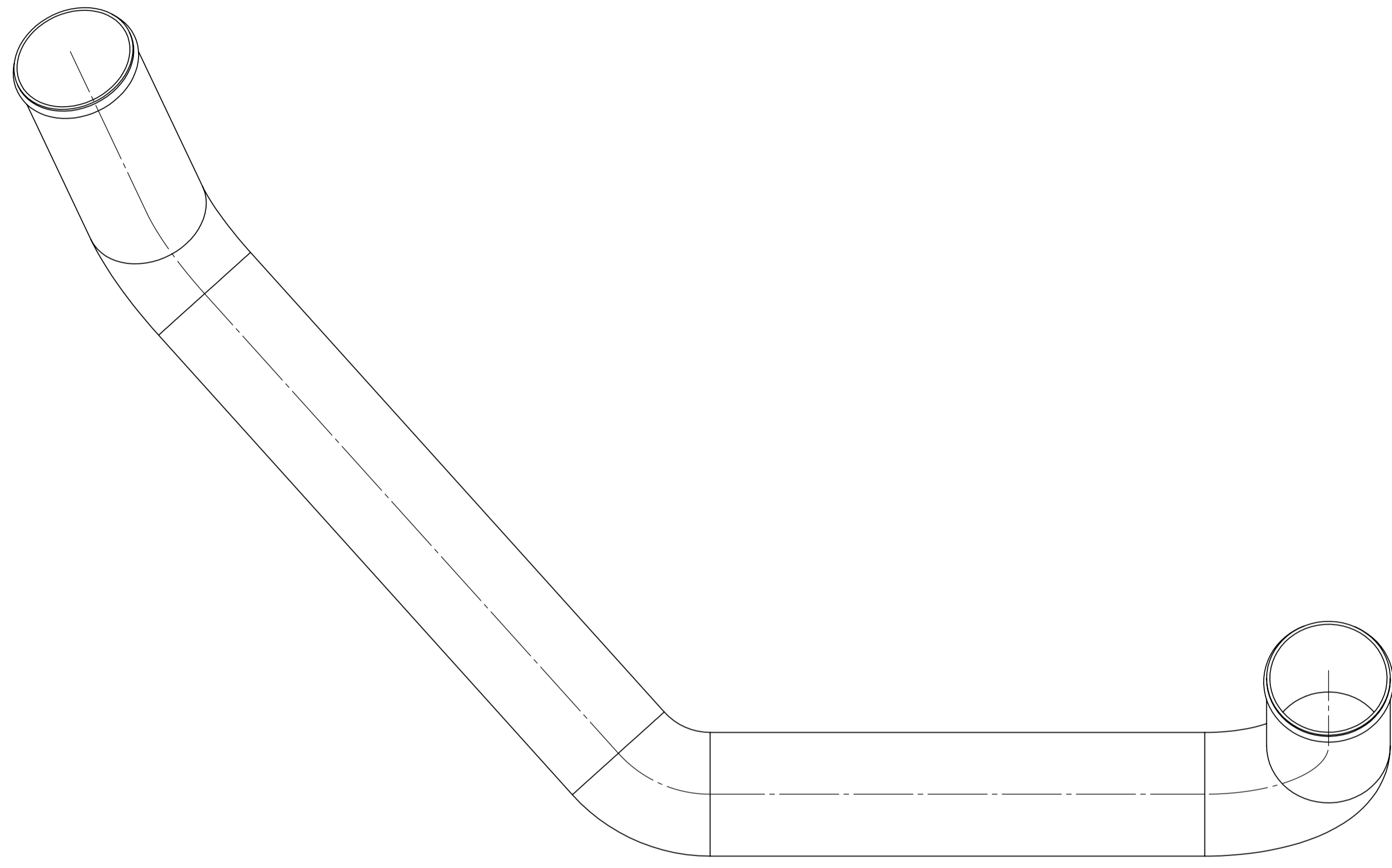
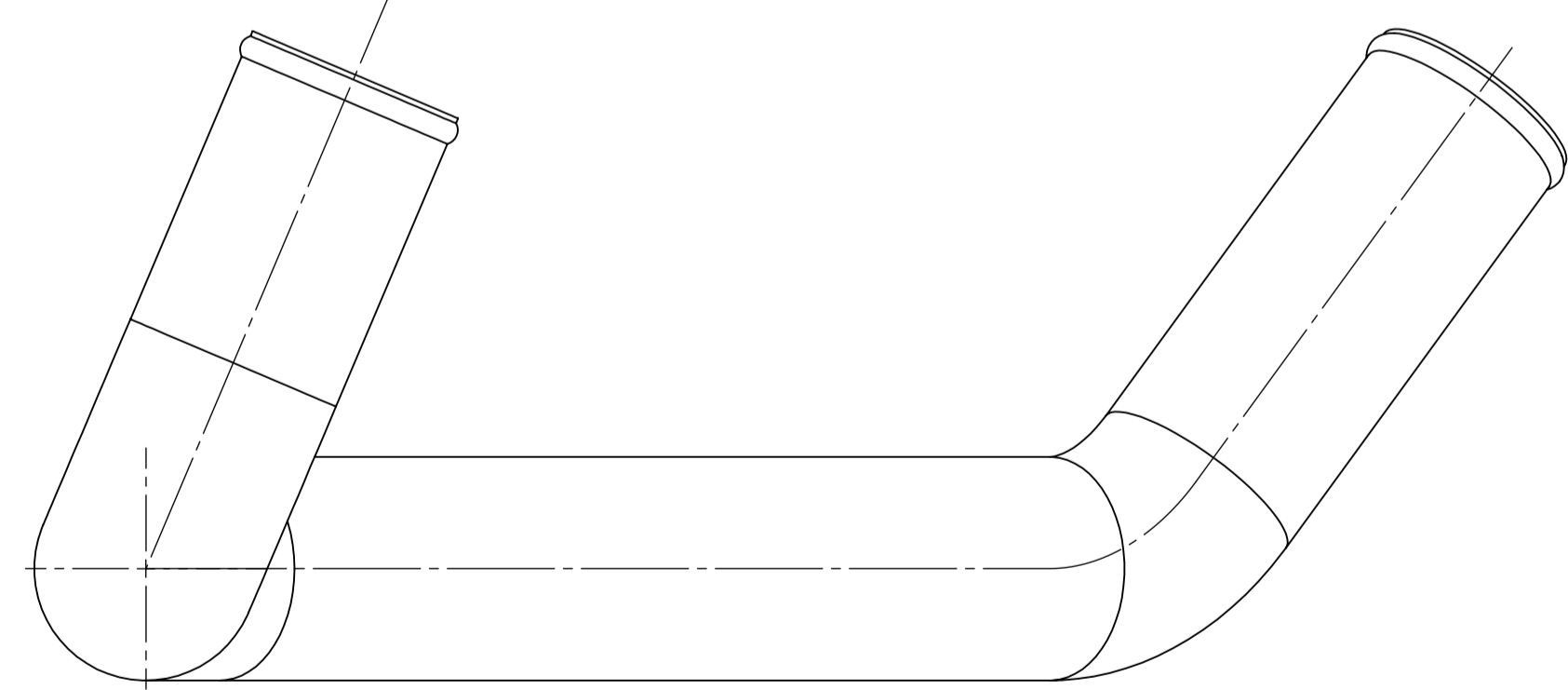


16 15 14 13 12 11 10 9 8 7 6 5 4 3 2 1

M
L
K
J
H
G
F
E
D
C
B
A

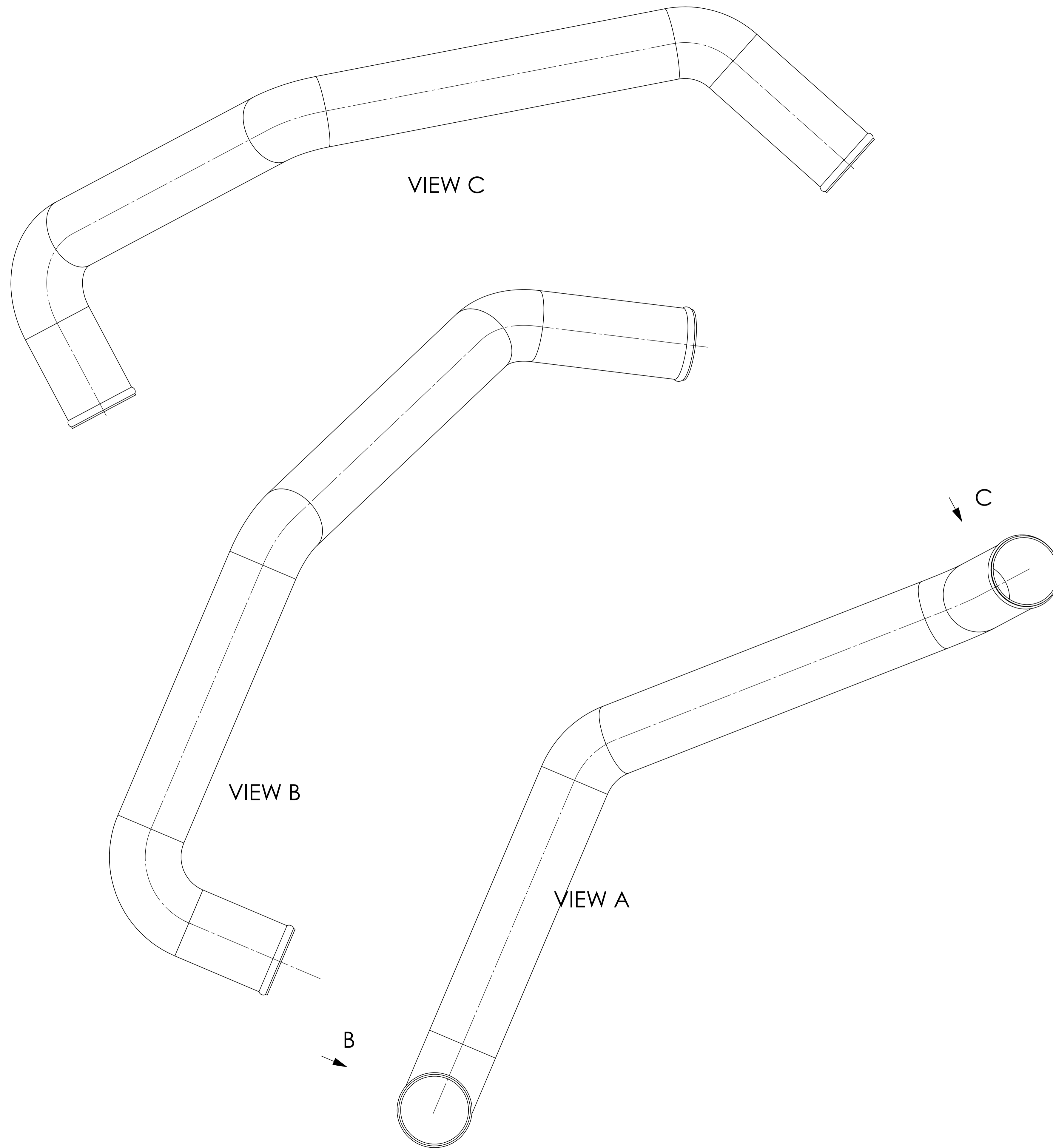


A SEE SHEET 2



UNLESS OTHERWISE SPECIFIED: DIMENSIONS ARE IN MILLIMETERS		FINISH:	DEBURR AND BREAK SHARP EDGES		DO NOT SCALE DRAWING	REVISION
SURFACE FINISH:				TITLE:		
TOLERANCES:				UPPER COOLANT TUBE		
LINEAR:				DWG NO:		A1
ANGULAR:				75-KWT1048-PDF		
NAME	SIGNATURE	DATE		MATERIAL:	SCALE: 1:2	
DRAWN:				AISI 304	SHEET 1 OF 2	
CHECKED:						
APPROVED:						
MFG:						
Q.A.						
				WEIGHT: 5.77		

16 15 14 13 12 11 10 9 8 7 6 5 4 3 2 1



UNLESS OTHERWISE SPECIFIED: DIMENSIONS ARE IN MILLIMETERS		FINISH:	DEBURR AND BREAK SHARP EDGES		DO NOT SCALE DRAWING	REVISION
SURFACE FINISH:				SOUTHPOINTE RADIATOR		
TOLERANCES:				TITLE:		
LINEAR:				UPPER COOLANT TUBE		
ANGULAR:				DWG NO:		A1
NAME	SIGNATURE	DATE		MATERIAL:	75-KWT1048-PDF	
DRAWN:				AISI 304		
CHEK:				WEIGHT: 5.77	SCALE: 1:2	SHEET 2 OF 2
APPVD:						
MFG:						
Q.A.:						