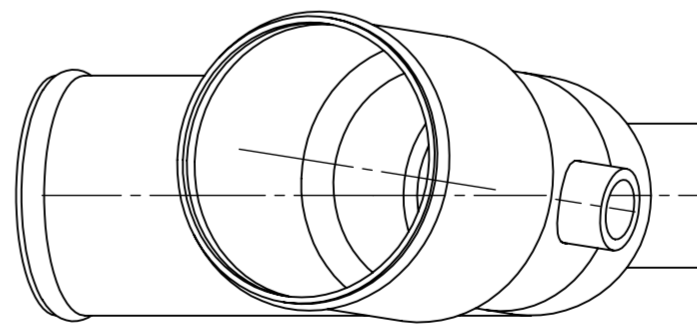
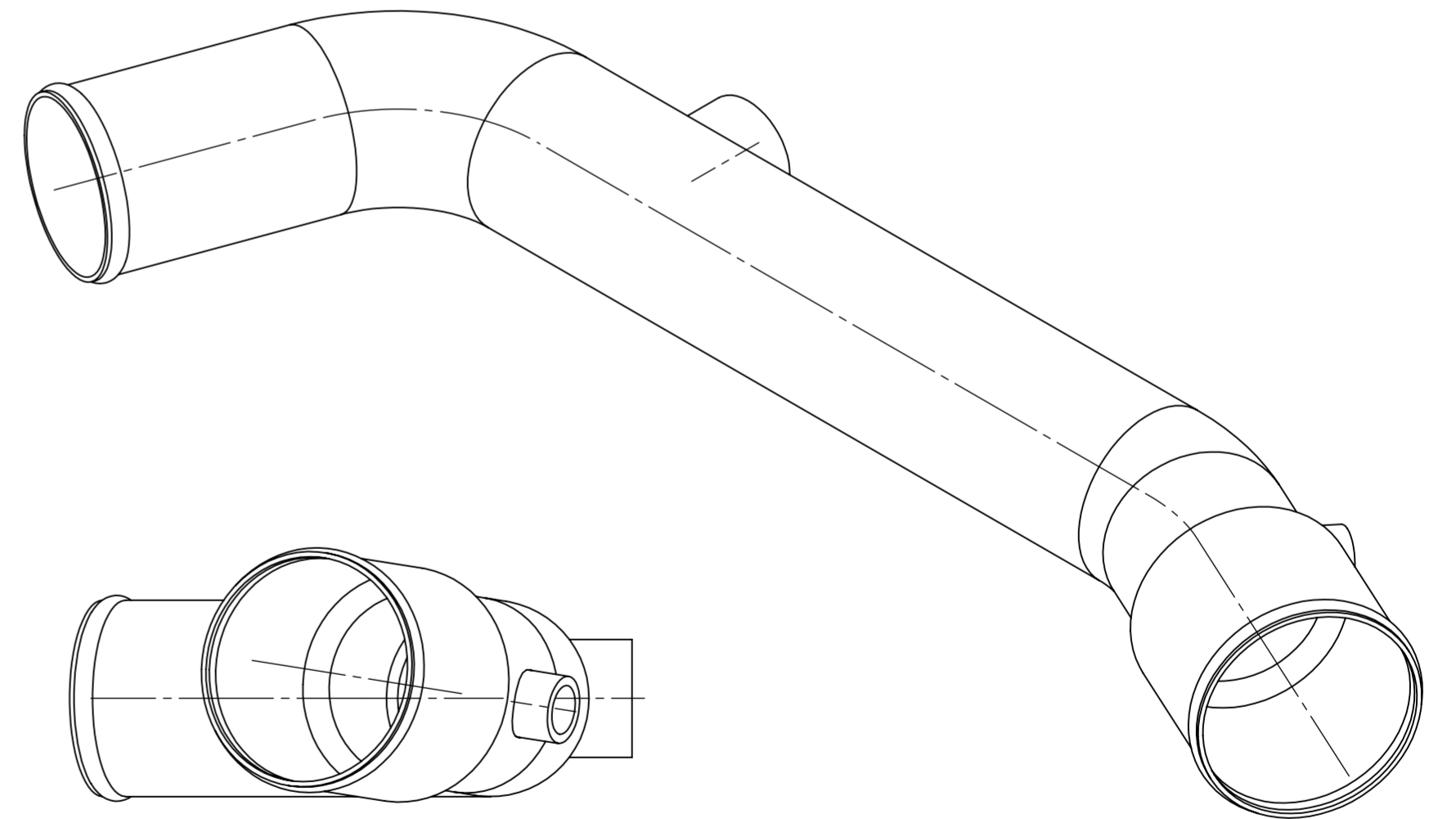
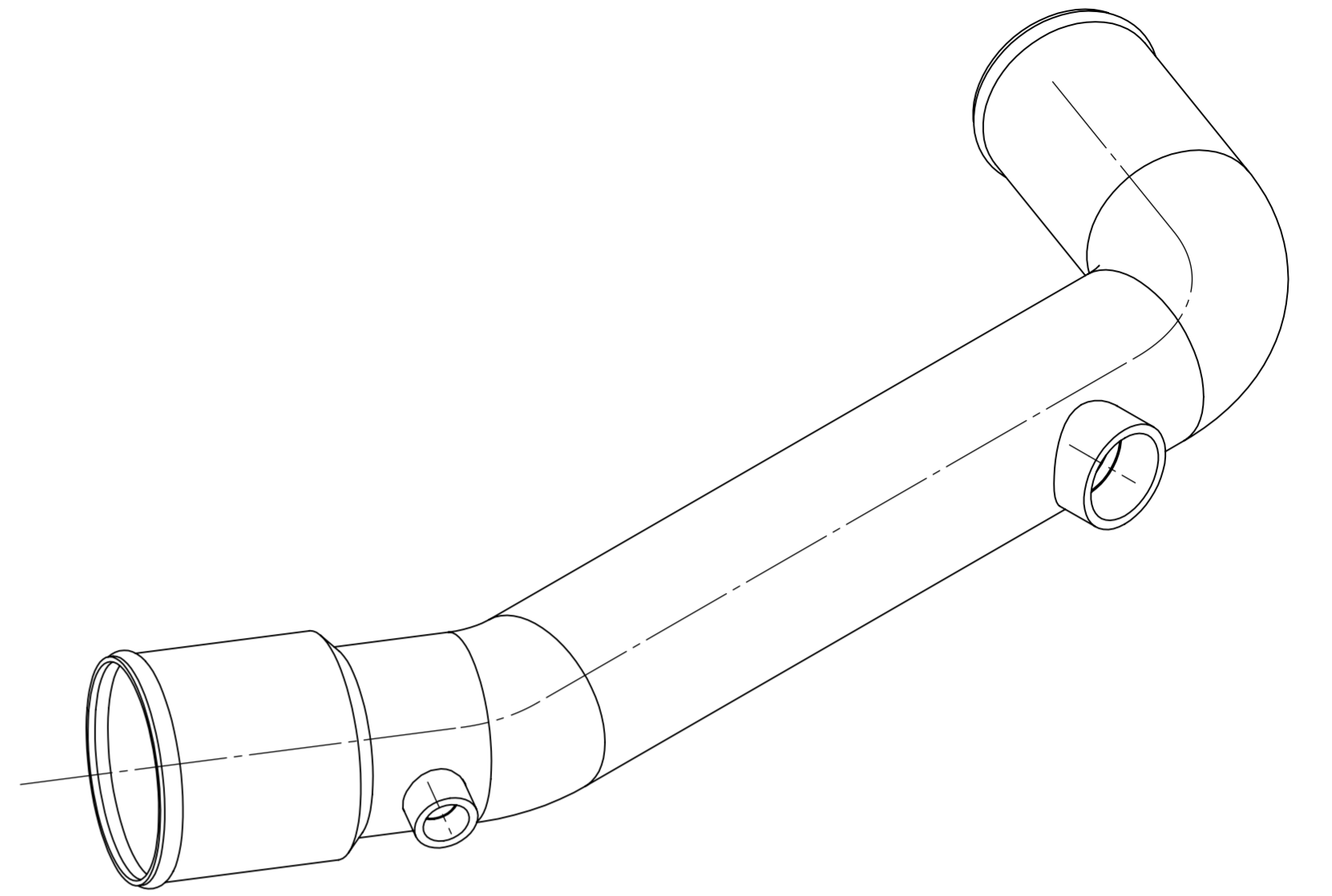
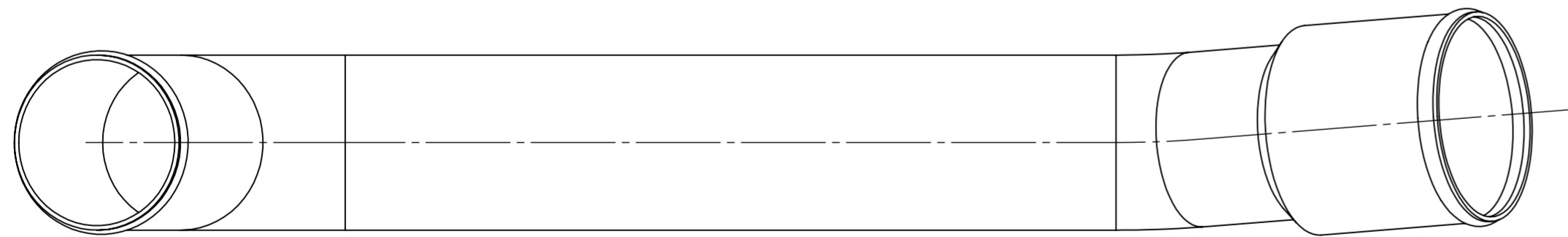
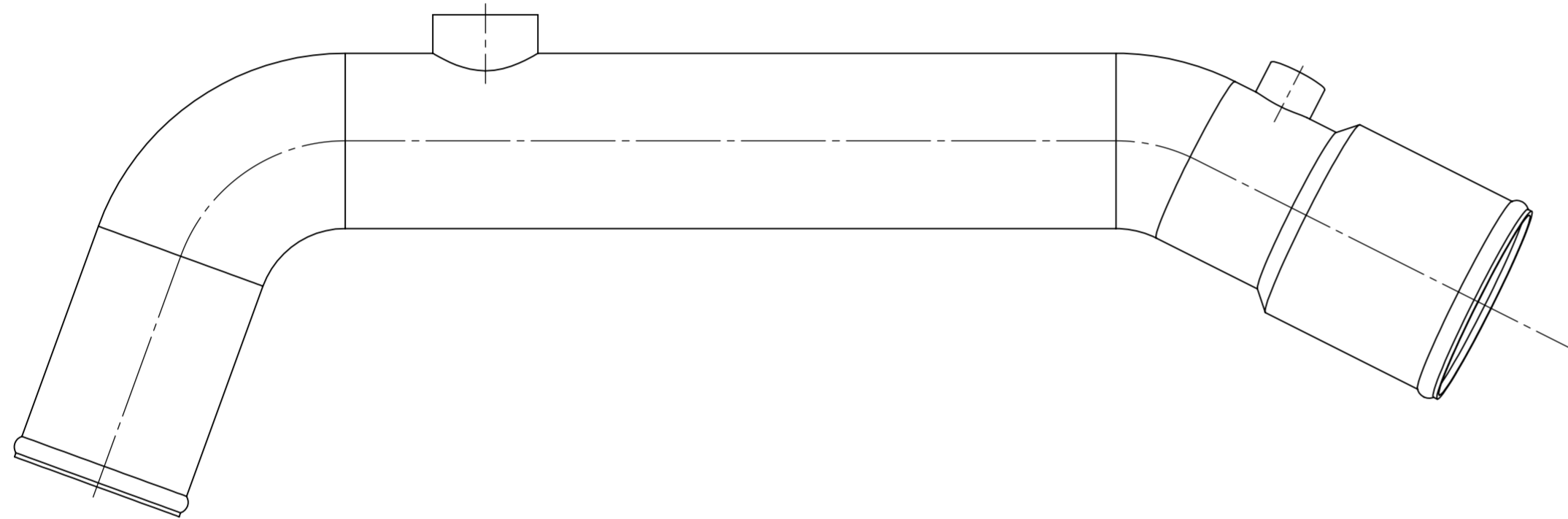
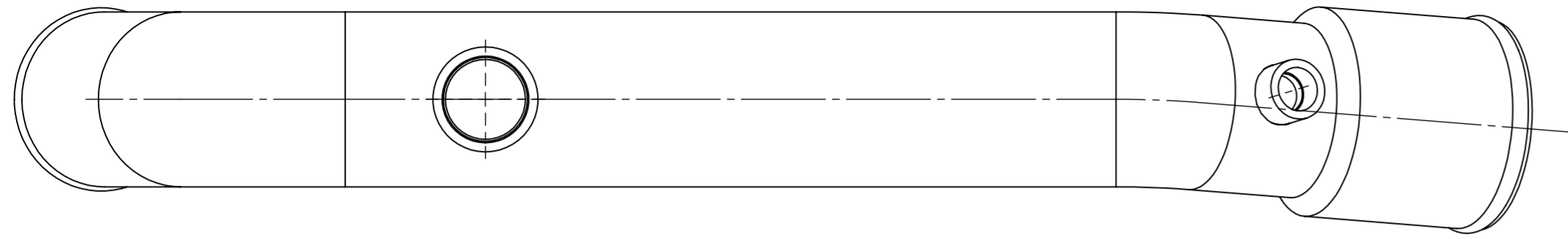


12 11 10 9 8 7 6 5 4 3 2 1

H
G
F
E
D
C
B
A



UNLESS OTHERWISE SPECIFIED: DIMENSIONS ARE IN MILLIMETERS				FINISH:		DEBURR AND BREAK SHARP EDGES		DO NOT SCALE DRAWING		REVISION	
TOLERANCES: LINEAR: ANGULAR:								TITLE: SOUTHPOINTE RADIATOR			
DRAWN				NAME		SIGNATURE		DATE		TITLE: LOWER COOLANT TUBE	
CHK'D										DWG NO. 75-KWT85742-PDF A2	
APPV'D										SCALE:1:2	
MFG										SHEET 1 OF 1	
Q.A								MATERIAL:		WEIGHT: 3.63	

12 11 10 9 8 7 6 5 4 3 2 1