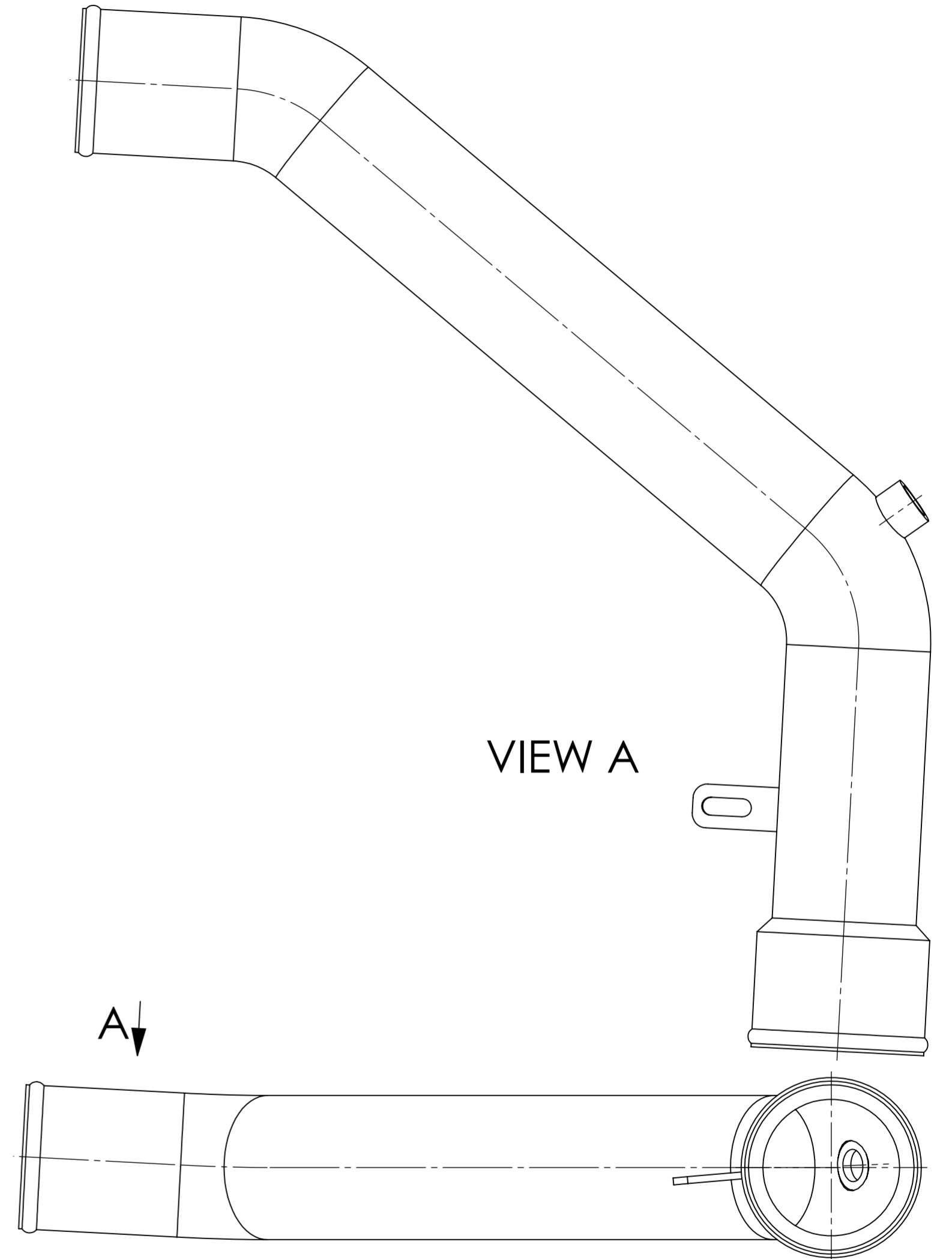


VIEW B

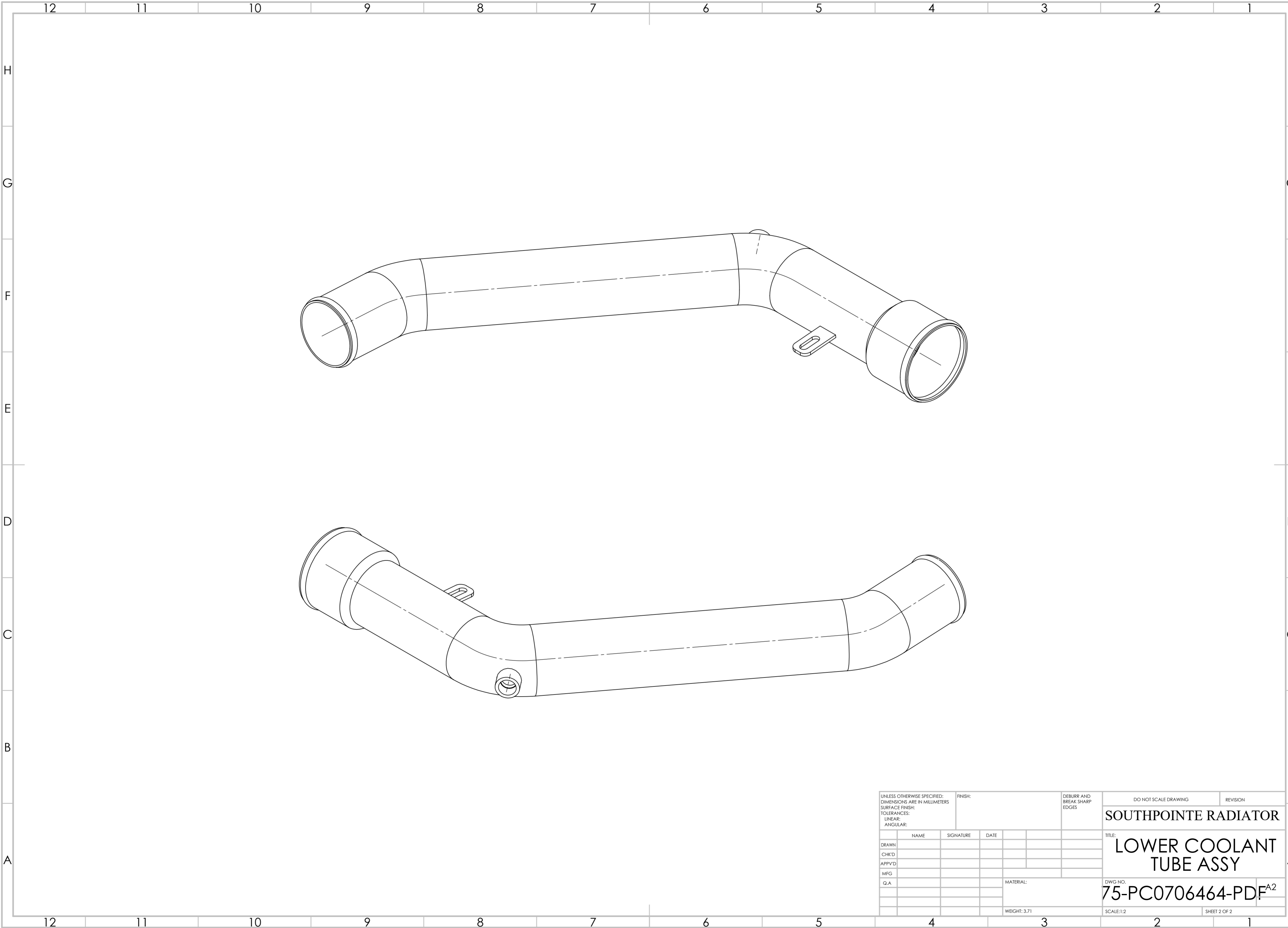
B
→



VIEW A

A
↓

UNLESS OTHERWISE SPECIFIED: DIMENSIONS ARE IN MILLIMETERS			FINISH:		DEBURR AND BREAK SHARP EDGES		DO NOT SCALE DRAWING		REVISION	
SURFACE FINISH:							TITLE:		SOUTHPOINTE RADIATOR	
TOLERANCES:							DRAWN		LOWER COOLANT TUBE ASSY	
LINEAR:							CHK'D			
ANGULAR:							APPV'D			
							MFG			
							Q.A			
							MATERIAL:		DWG NO. 75-PC0706464-PDF ^{A2}	
							WEIGHT: 3.71		SCALE: 1:2	
									SHEET 1 OF 2	



UNLESS OTHERWISE SPECIFIED: DIMENSIONS ARE IN MILLIMETERS				FINISH:		DEBURR AND BREAK SHARP EDGES		DO NOT SCALE DRAWING		REVISION	
TOLERANCES: LINEAR: ANGULAR:								TITLE: SOUTHPOINTE RADIATOR			
DRAWN	NAME	SIGNATURE	DATE					LOWER COOLANT TUBE ASSY			
CHK'D								DWG NO. 75-PC0706464-PDF^{A2}			
APPV'D								SCALE:1:2			
MFG								SHEET 2 OF 2			
Q.A								WEIGHT: 3.71			