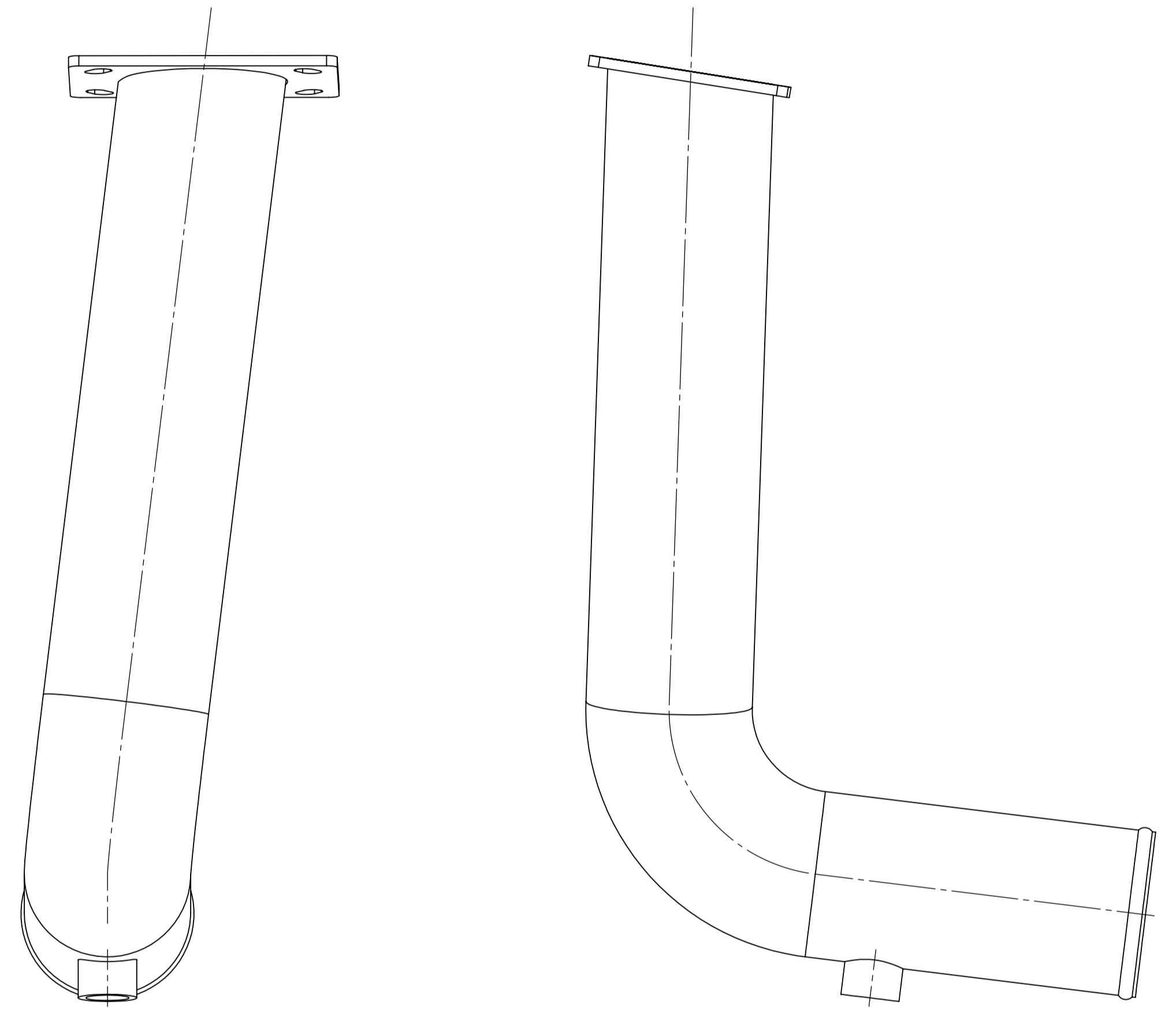
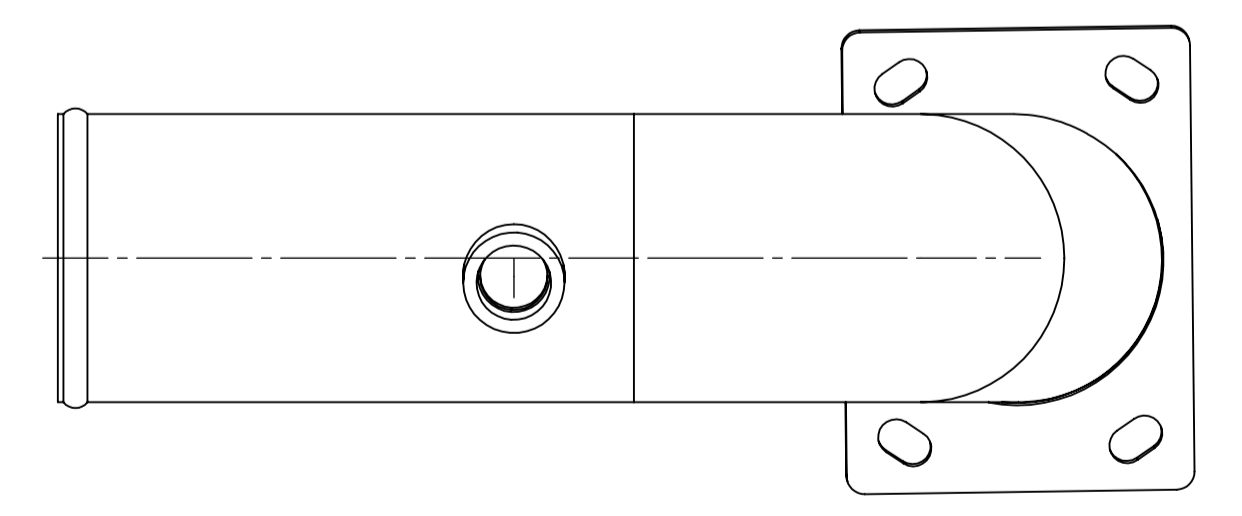
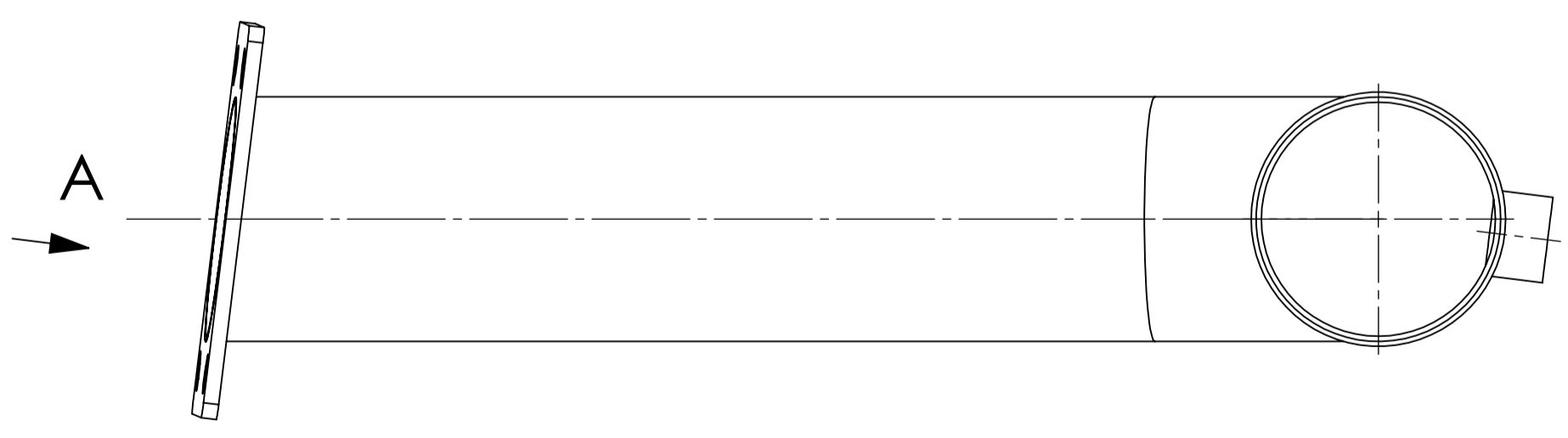
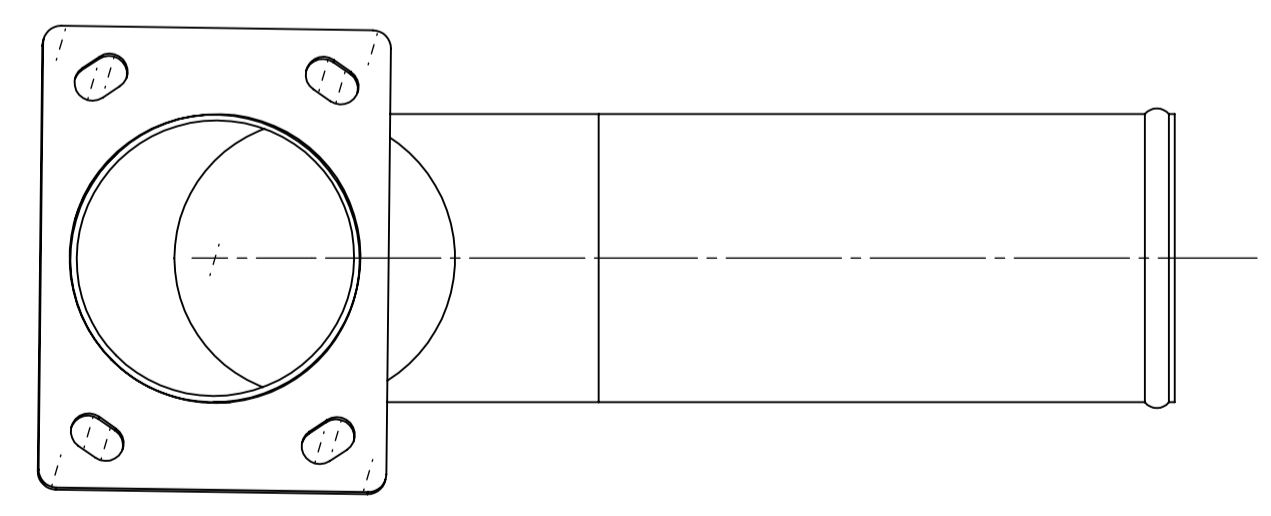
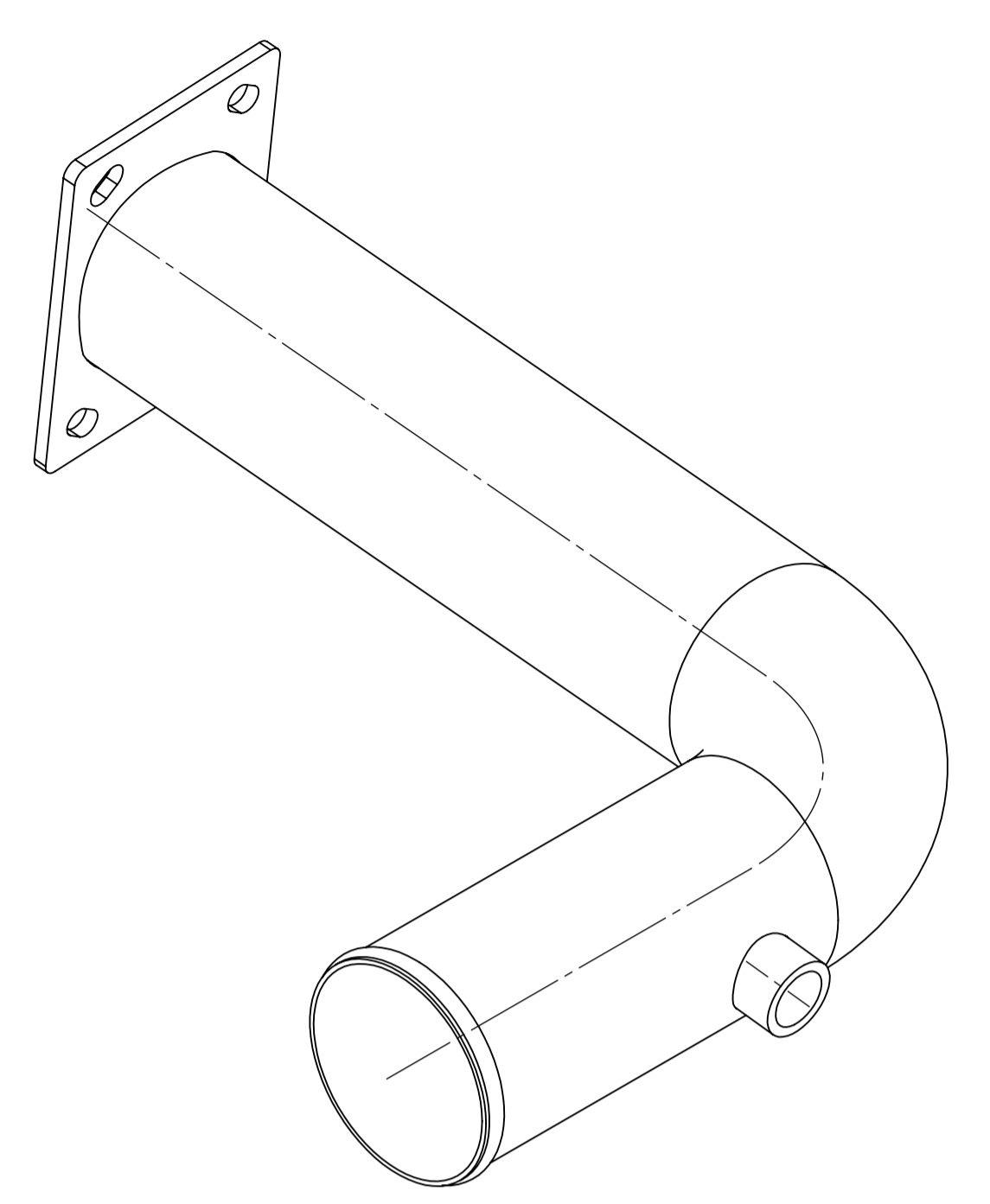
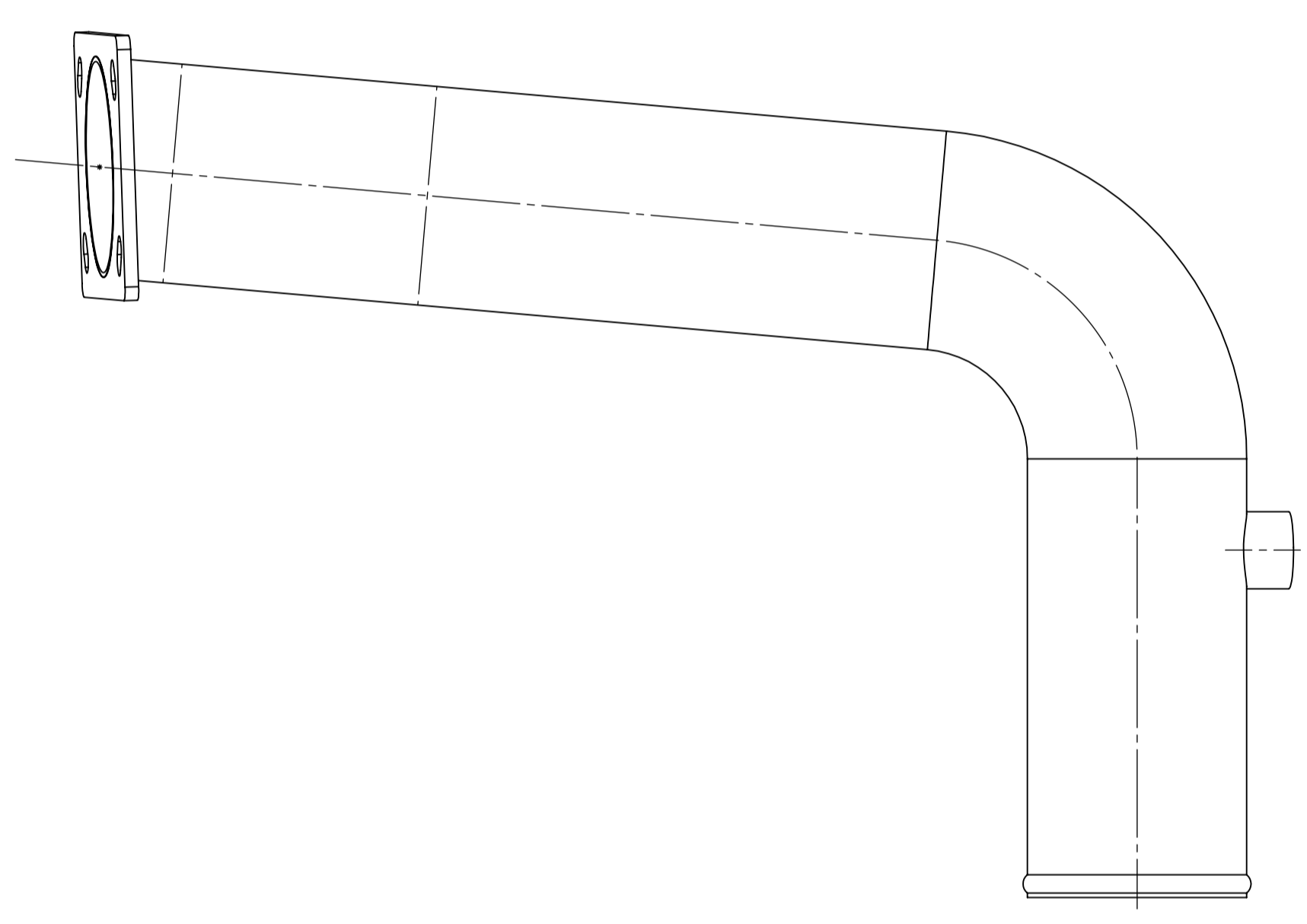


VIEW A



VIEW B



UNLESS OTHERWISE SPECIFIED: DIMENSIONS ARE IN MILLIMETERS		FINISH:	DEBURR AND BREAK SHARP EDGES		DO NOT SCALE DRAWING	REVISION
SURFACE FINISH:				TITLE:		
TOLERANCES:				SOUTHPOINTE RADIATOR		
LINEAR:				FLANGED LOWER COOLANT TUBE		
ANGULAR:				DWG NO:		A1
NAME:	SIGNATURE:	DATE:		MATERIAL:		
DRAWN:				WEIGHT: 4.42		
CHKD:				SCALE: 1:2		
APPVD:				SHEET 1 OF 1		
MFG:						
Q.A.:						