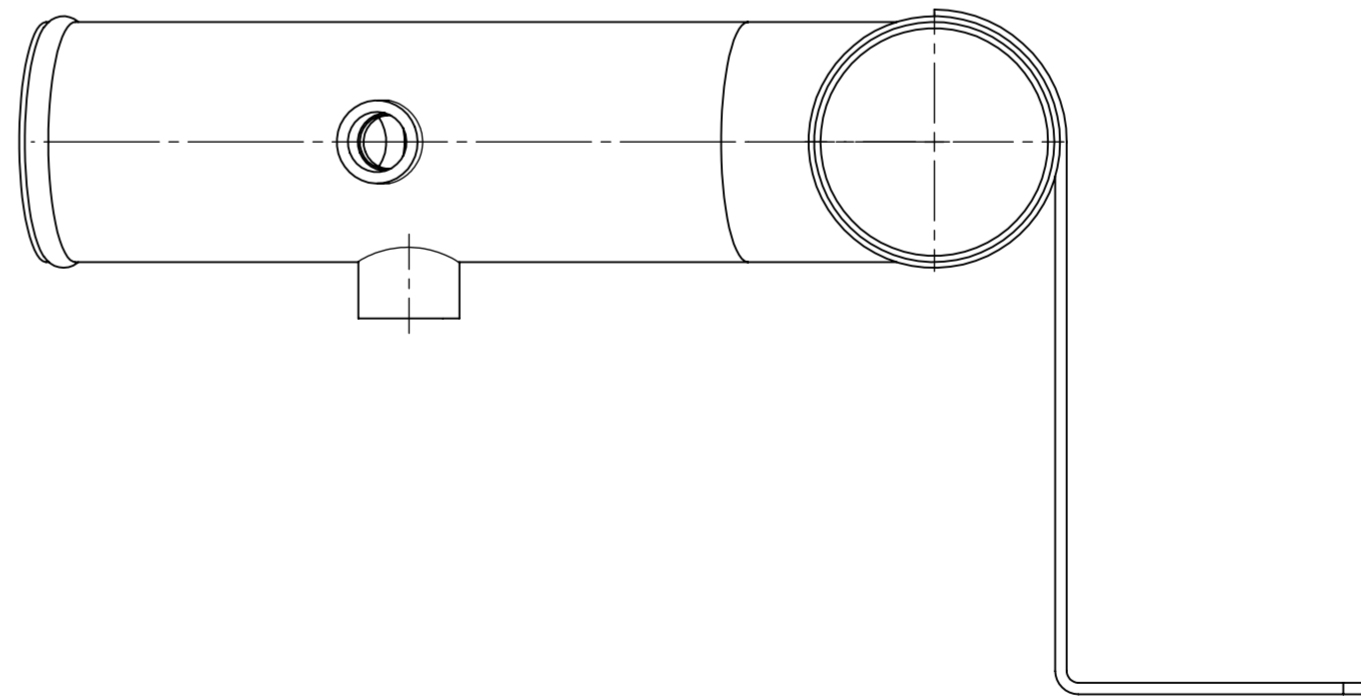
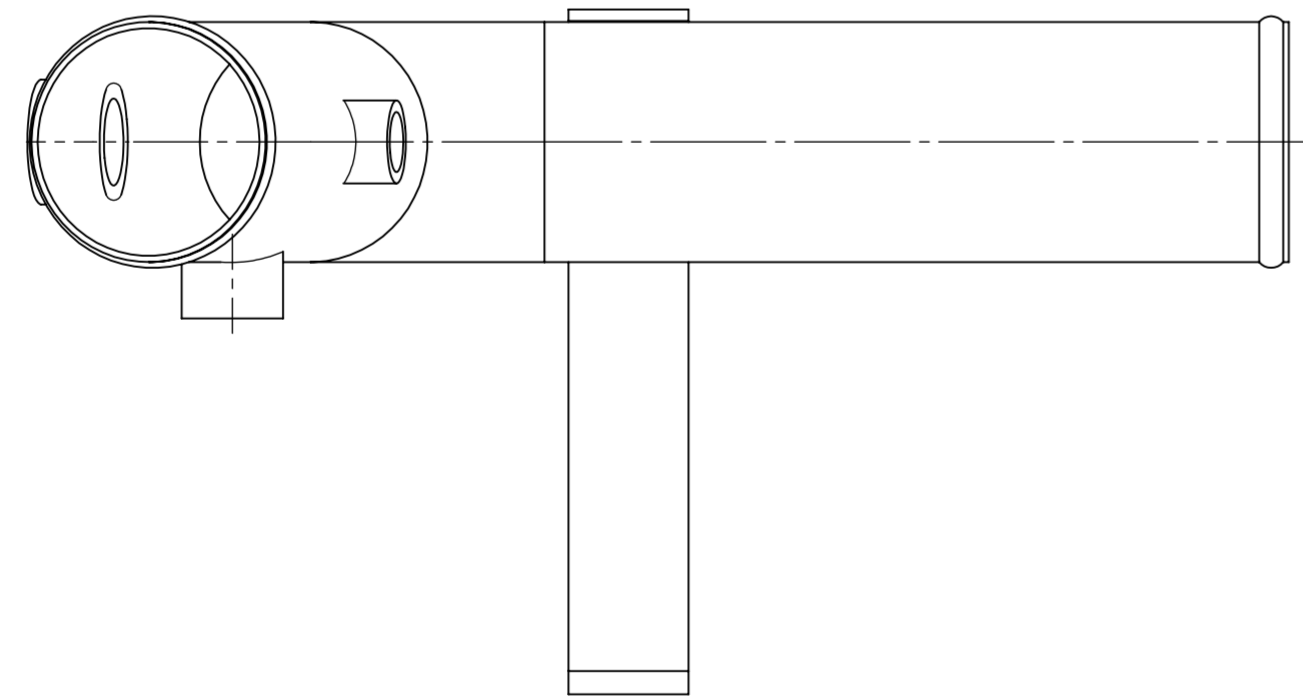
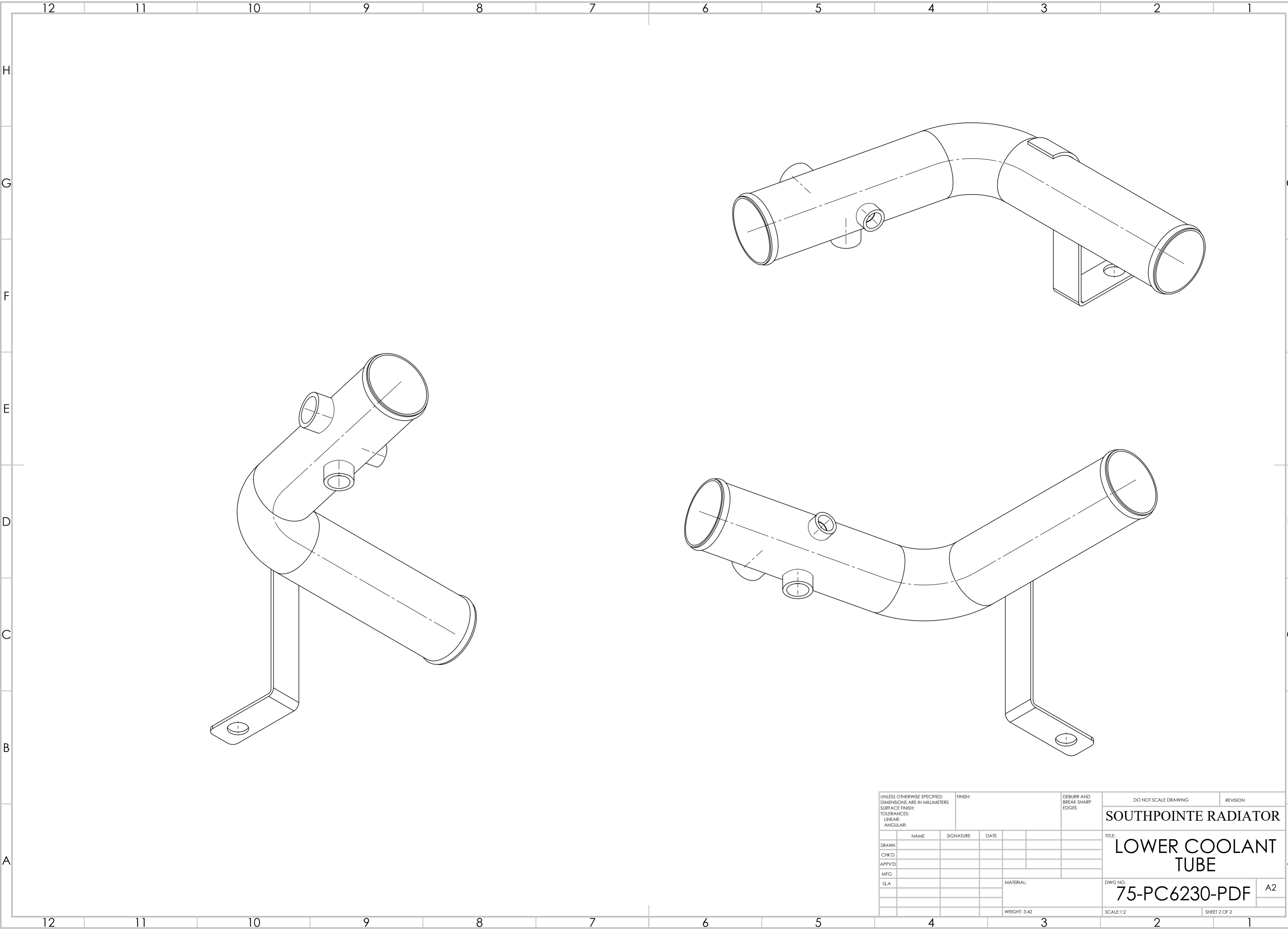


VIEW A



UNLESS OTHERWISE SPECIFIED: DIMENSIONS ARE IN MILLIMETERS				FINISH:		DEBURR AND BREAK SHARP EDGES		DO NOT SCALE DRAWING		REVISION	
SURFACE FINISH:								TITLE:		SOUTHPORTE RADIATOR	
TOLERANCES:								LOWER COOLANT		A2	
LINEAR:								75-PC6230-PDF			
ANGULAR:								DWG NO.		SHEET 1 OF 2	
DRAWN		NAME	SIGNATURE	DATE	MATERIAL:		SCALE:1:2				
CHK'D					WEIGHT: 3.42						
APPV'D											
MFG											
Q.A											



UNLESS OTHERWISE SPECIFIED: DIMENSIONS ARE IN MILLIMETERS			FINISH:			DEBURR AND BREAK SHARP EDGES			DO NOT SCALE DRAWING		REVISION
SURFACE FINISH:									TITLE: SOUTHPOINTE RADIATOR		
TOLERANCES:									LOWER COOLANT TUBE		
LINEAR:									DWG NO. 75-PC6230-PDF		
ANGULAR:									A2		
DRAWN	NAME	SIGNATURE	DATE								
CHK'D											
APPV'D											
MFG											
Q.A											
								MATERIAL:			
								WEIGHT: 3.42			
									SCALE:1:2		SHEET 2 OF 2