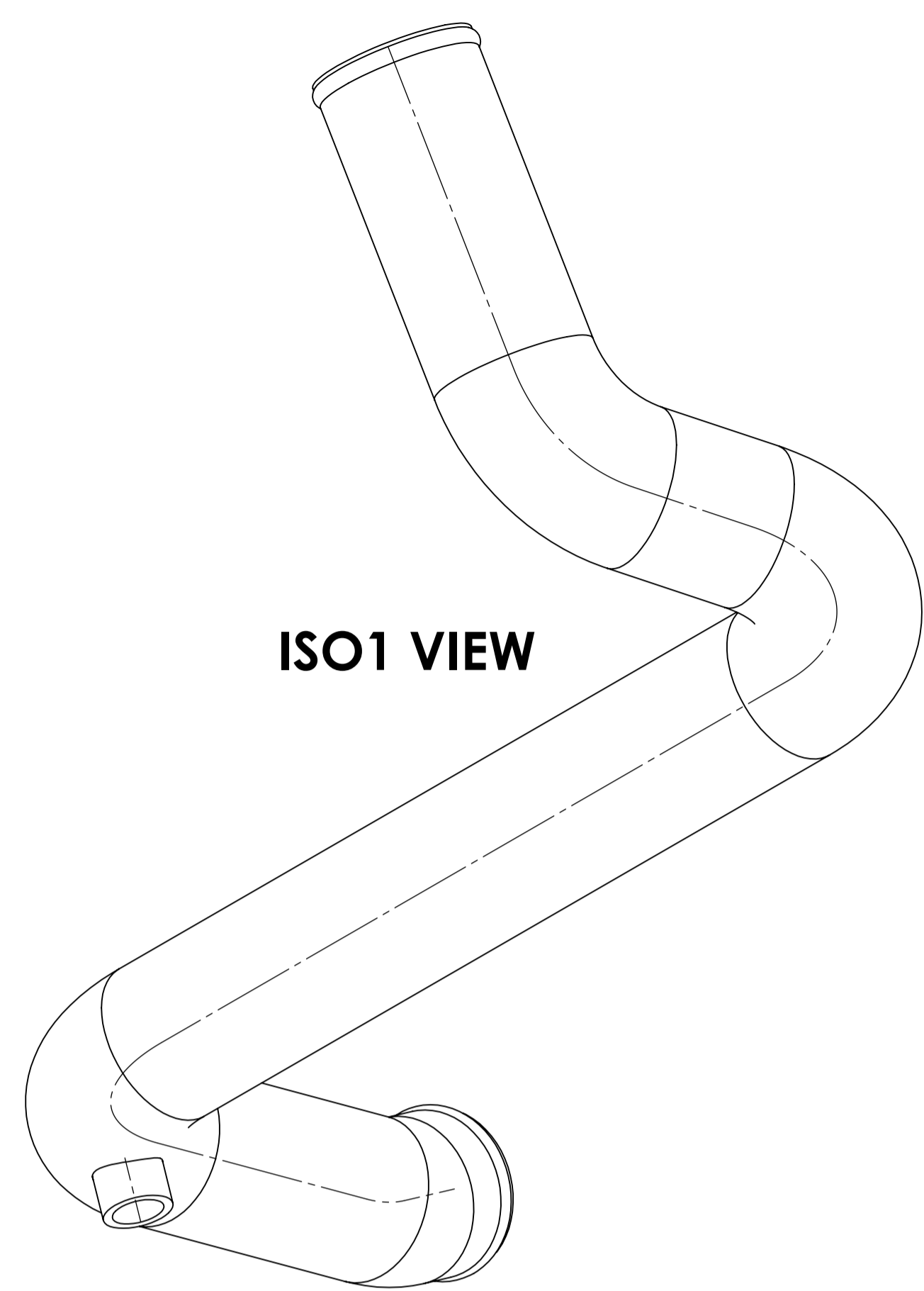
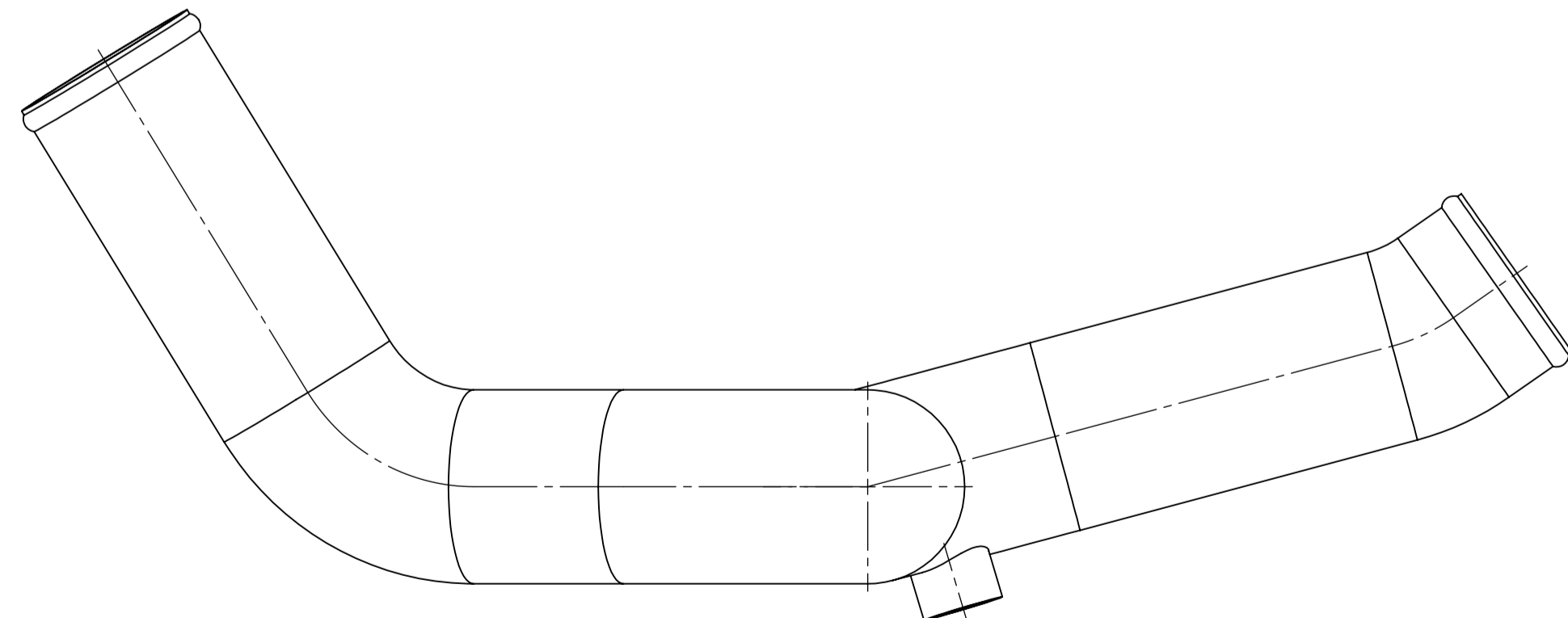


**ISO VIEW**



**ISO1 VIEW**



UNLESS OTHERWISE SPECIFIED: DIMENSIONS ARE IN MILLIMETERS		FINISH:	DEBURR AND BREAK SHARP EDGES		DO NOT SCALE DRAWING	REVISION
SURFACE FINISH:				TITLE:		
TOLERANCES:				LOWER COOLANT TUBE		
LINEAR:				DWG NO:		A1
ANGULAR:				745-FLD20641		
DRAWN:	NAME	SIGNATURE	DATE	MATERIAL:		SCALE: 1:2
CHKD:				WEIGHT: 5.51		SHEET 1 OF 1
APPVD:						
MFG:						
Q.A.:						