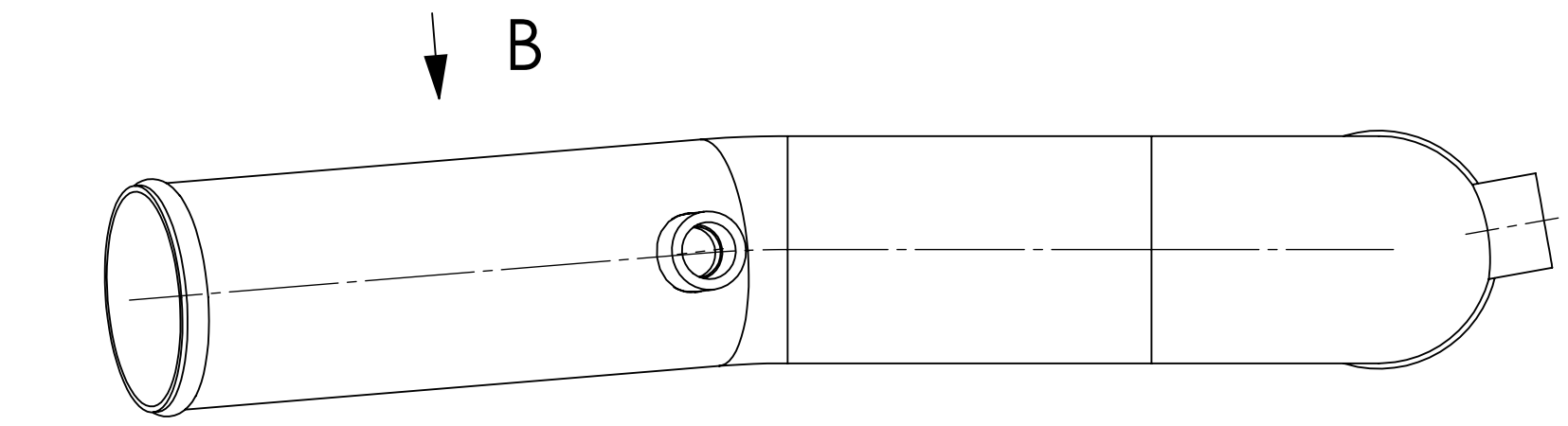
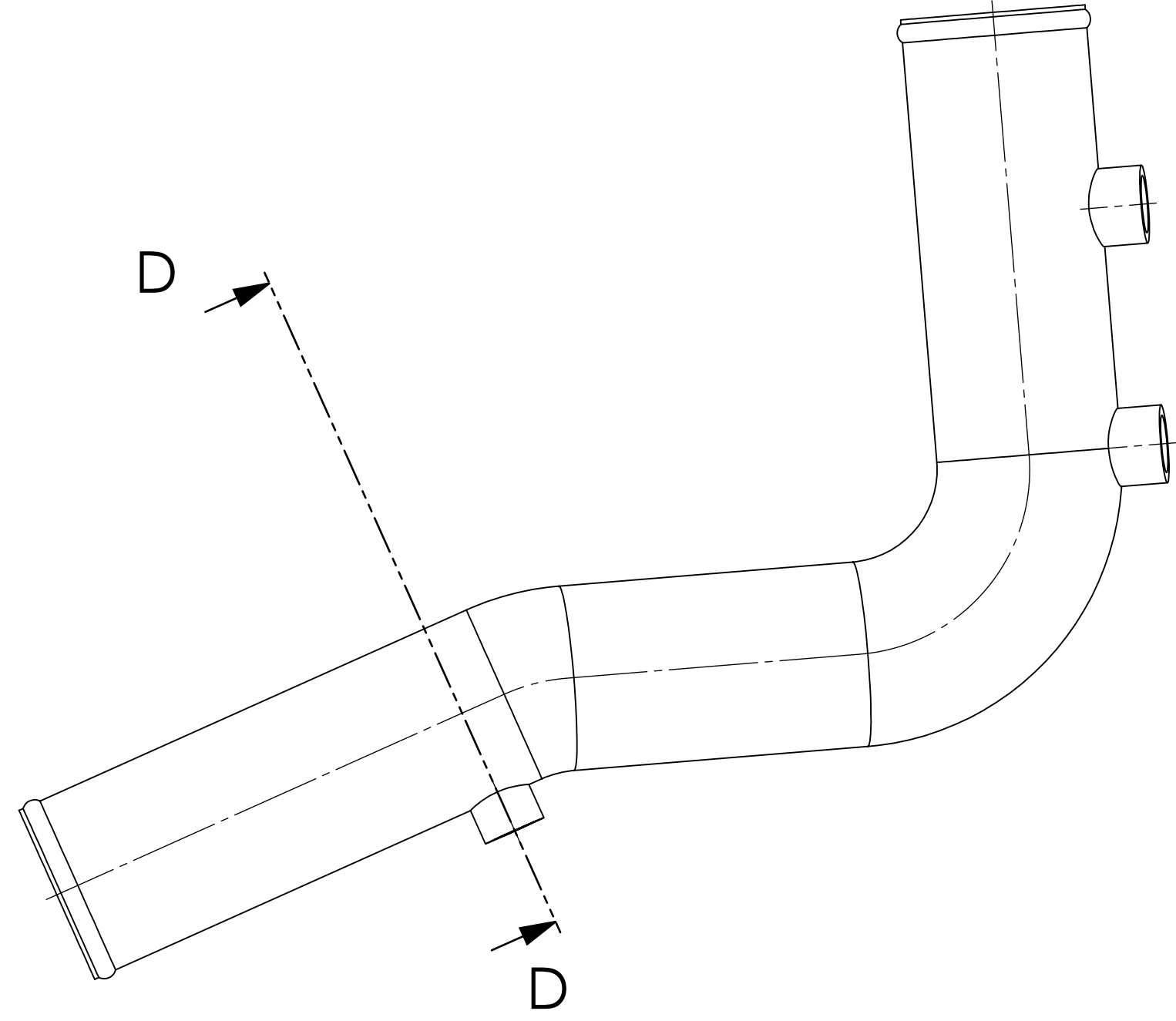
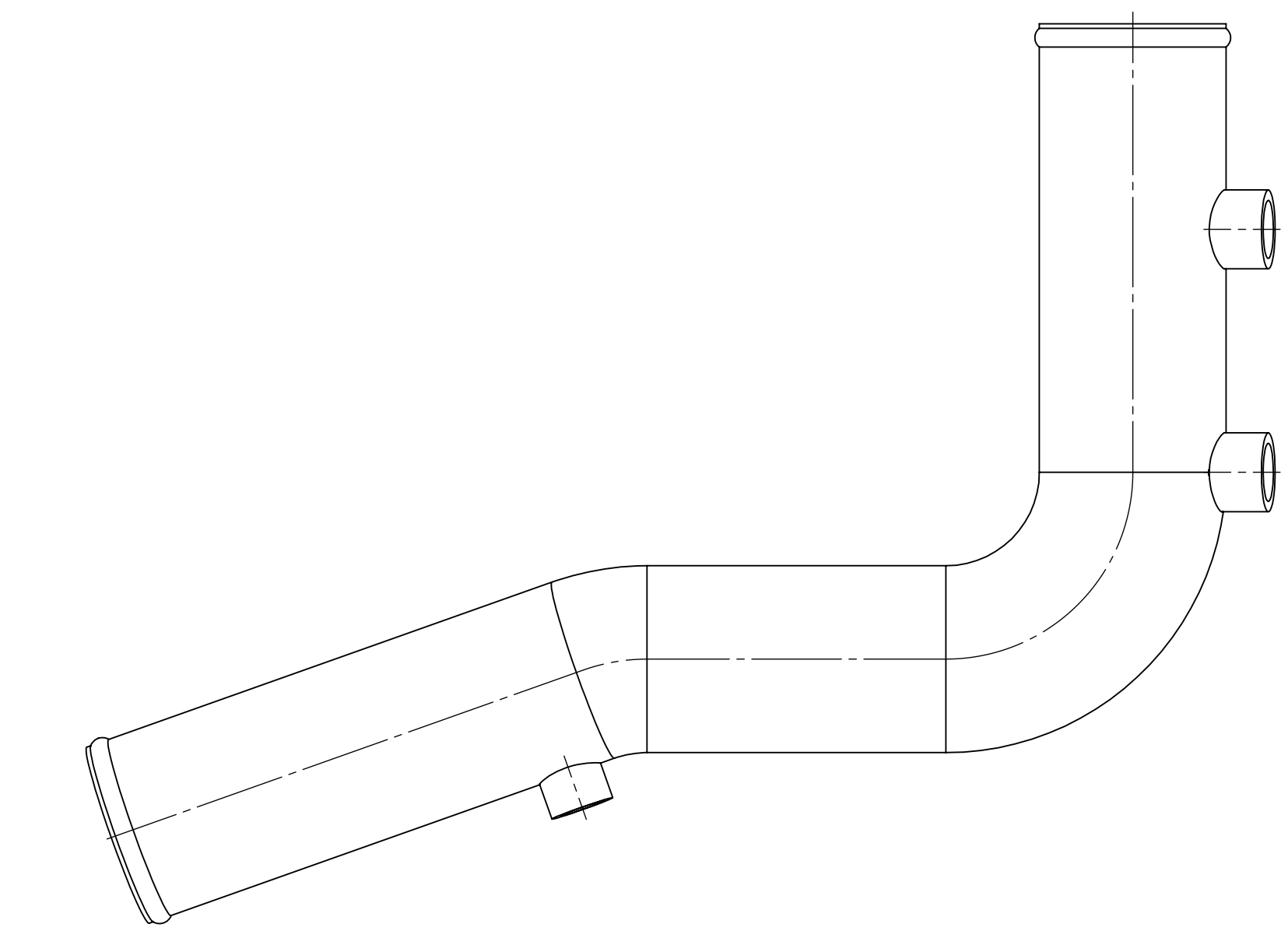
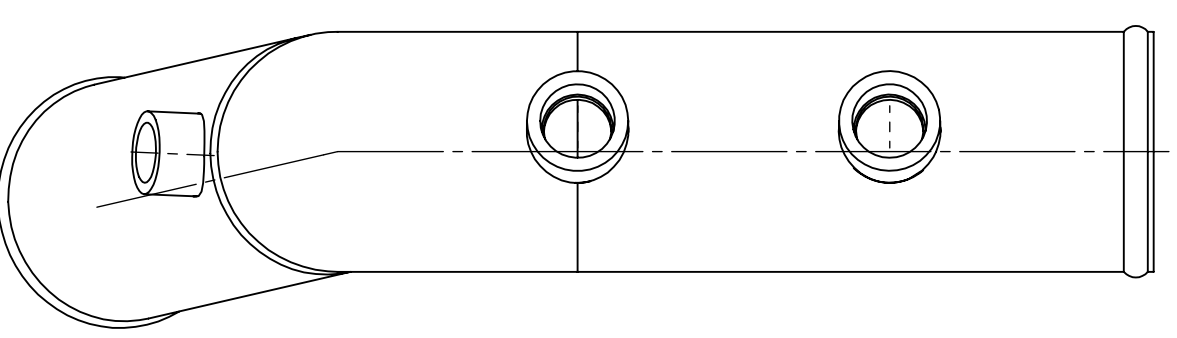
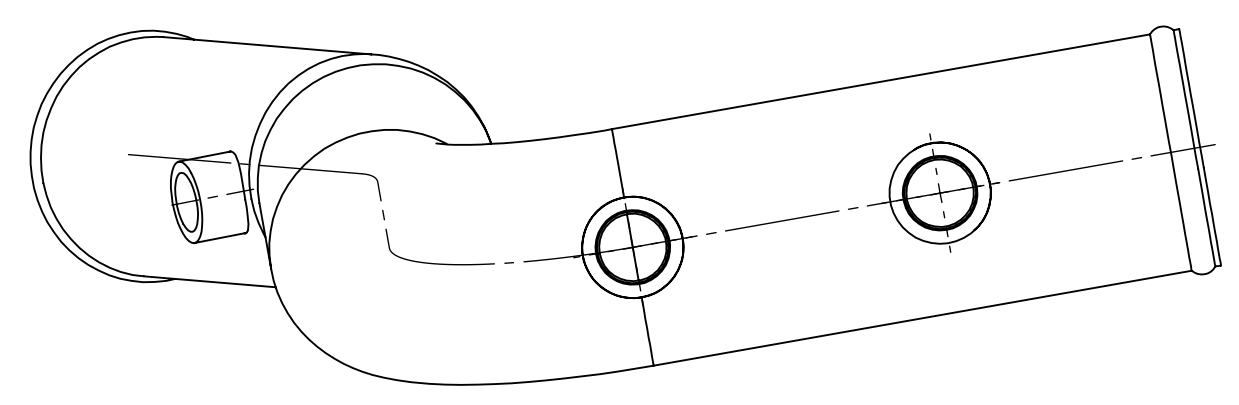
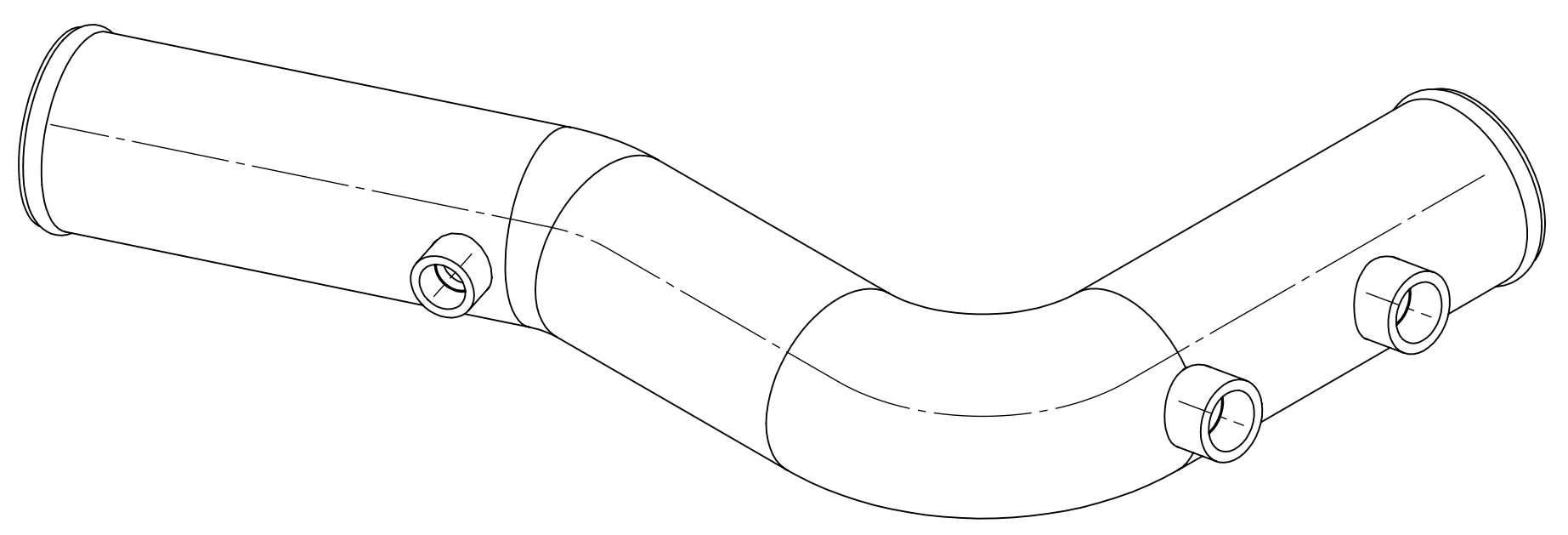
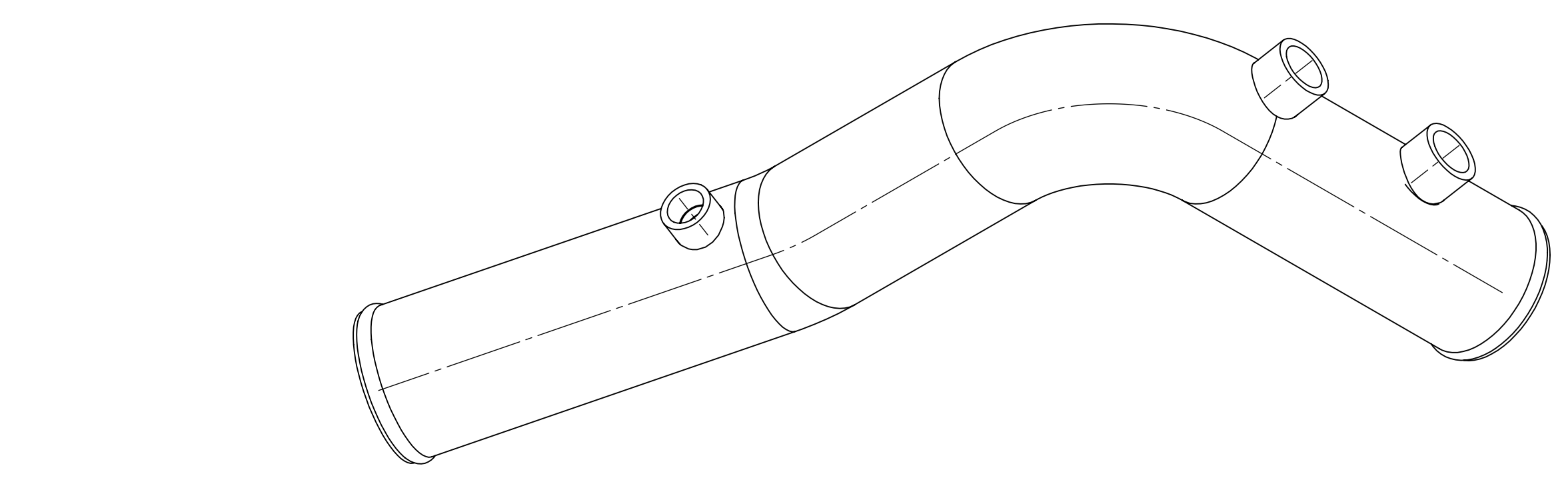


SECTION D-D



VIEW B



VIEW A

UNLESS OTHERWISE SPECIFIED: DIMENSIONS ARE IN MILLIMETERS		FINISH:	DEBURR AND BREAK SHARP EDGES		DO NOT SCALE DRAWING	REVISION
SURFACE FINISH:				TITLE:		
TOLERANCES:				LOWER COOLANT TUBE		
LINEAR:				DWG NO:		
ANGULAR:				75-KWT1404-PDF		A1
DRAWN:	NAME:	SIGNATURE:	DATE:	MATERIAL:		SCALE: 1:2
CHKD:				WEIGHT: 3.31		SHEET 1 OF 1
APPVD:						
MFG:						
Q.A.:						