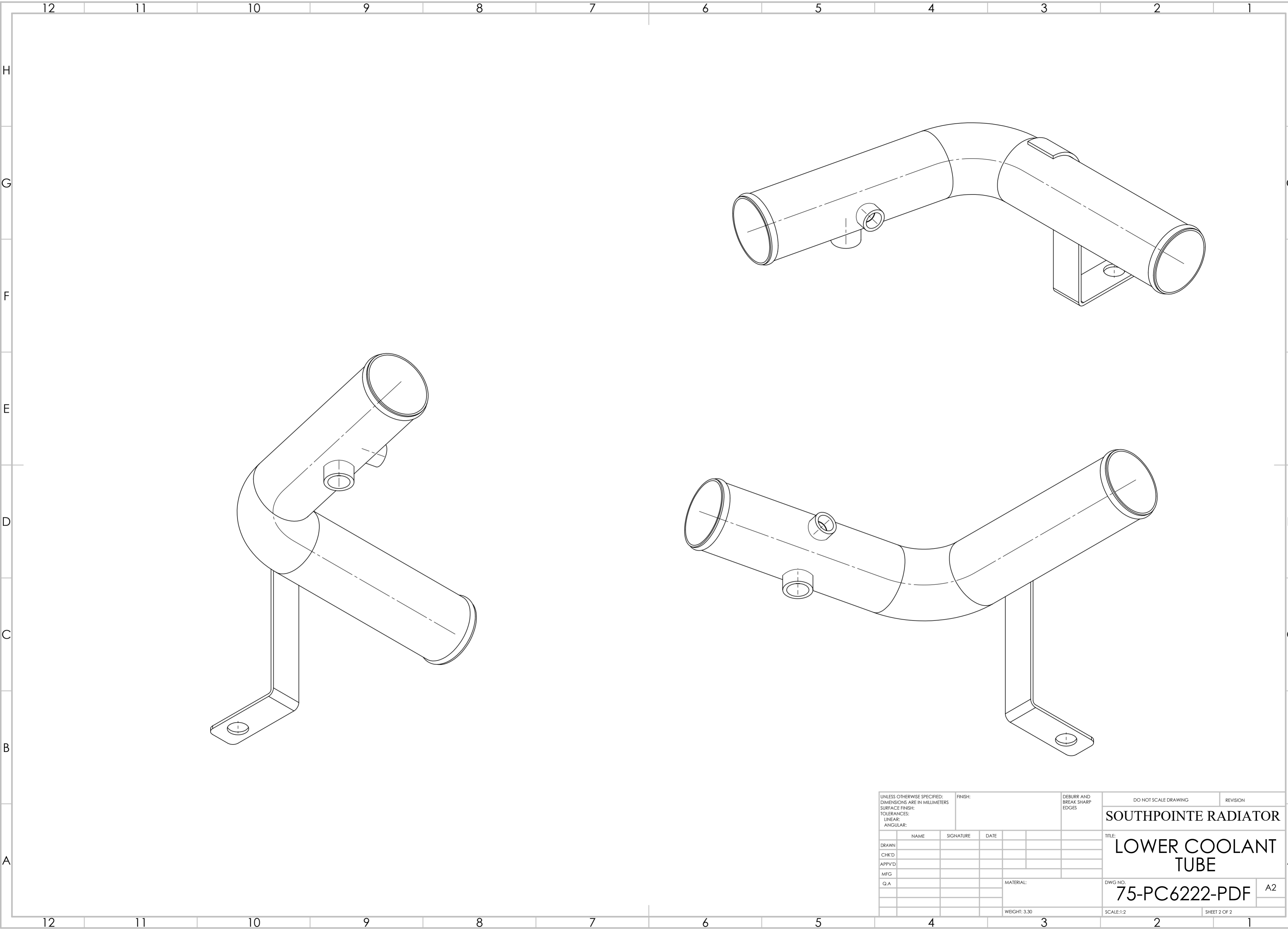


↑ A

VIEW A

UNLESS OTHERWISE SPECIFIED: DIMENSIONS ARE IN MILLIMETERS				FINISH:		DEBURR AND BREAK SHARP EDGES		DO NOT SCALE DRAWING		REVISION	
SURFACE FINISH:								TITLE: <b>SOUTHPOINTE RADIATOR</b>			
TOLERANCES: LINEAR:								DRAWN			
ANGULAR:								CHK'D			
								APPV'D			
								MFG			
								Q.A.			
								MATERIAL:			
								DWG NO. <b>75-PC6222-PDF</b>			
								SCALE:1:2			
								WEIGHT: 3.30			
								SHEET 1 OF 2			
								A2			



UNLESS OTHERWISE SPECIFIED: DIMENSIONS ARE IN MILLIMETERS			FINISH:		DEBURR AND BREAK SHARP EDGES		DO NOT SCALE DRAWING		REVISION	
SURFACE FINISH:							TITLE:		SOUTHPOINTE RADIATOR	
TOLERANCES:							LOWER COOLANT TUBE			
LINEAR:							DWG NO.		75-PC6222-PDF	
ANGULAR:							SCALE:1:2		SHEET 2 OF 2	
DRAWN			NAME	SIGNATURE	DATE	MATERIAL:		A2		
CHK'D										
APPV'D										
MFG										
Q.A						WEIGHT: 3.30				