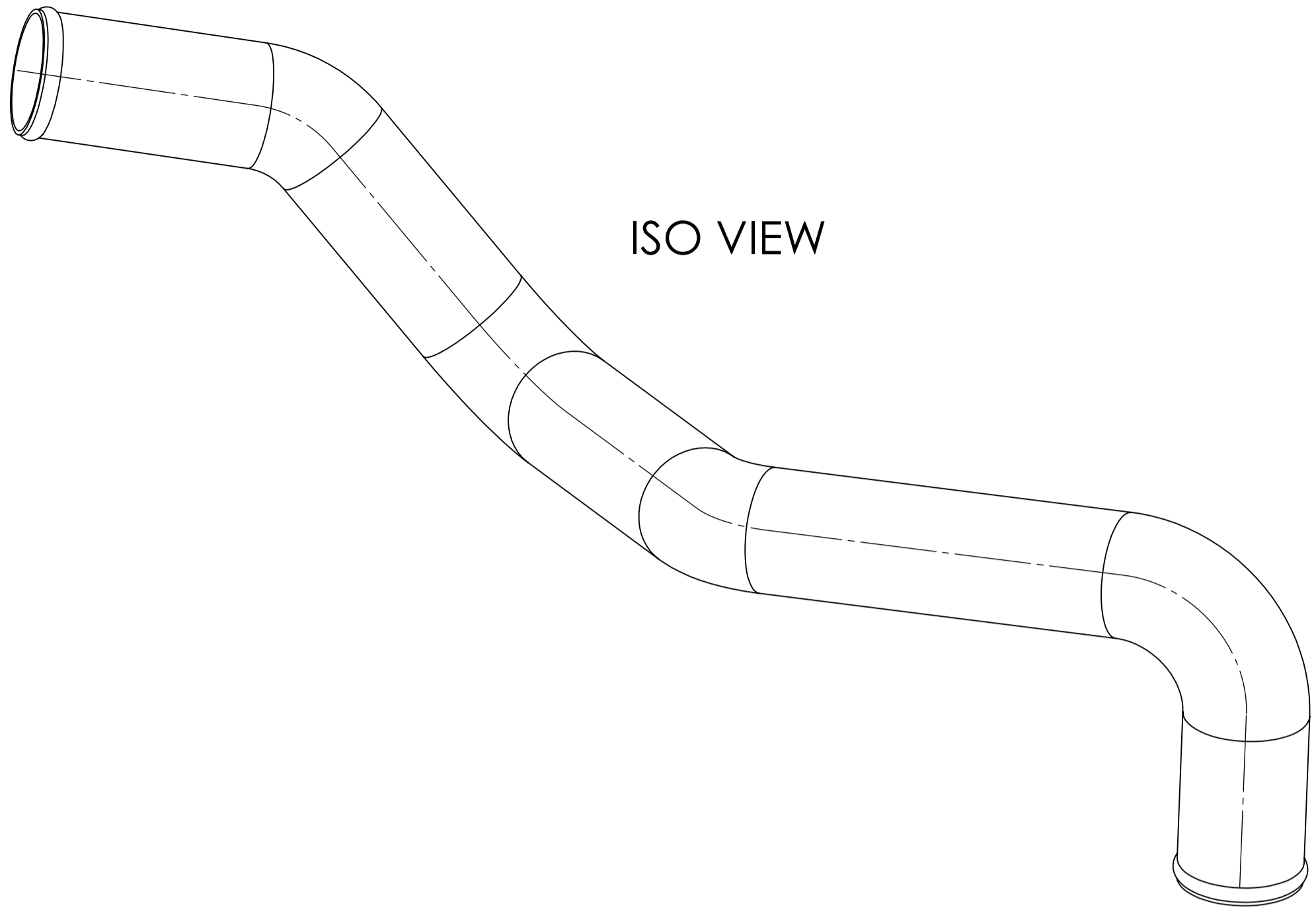
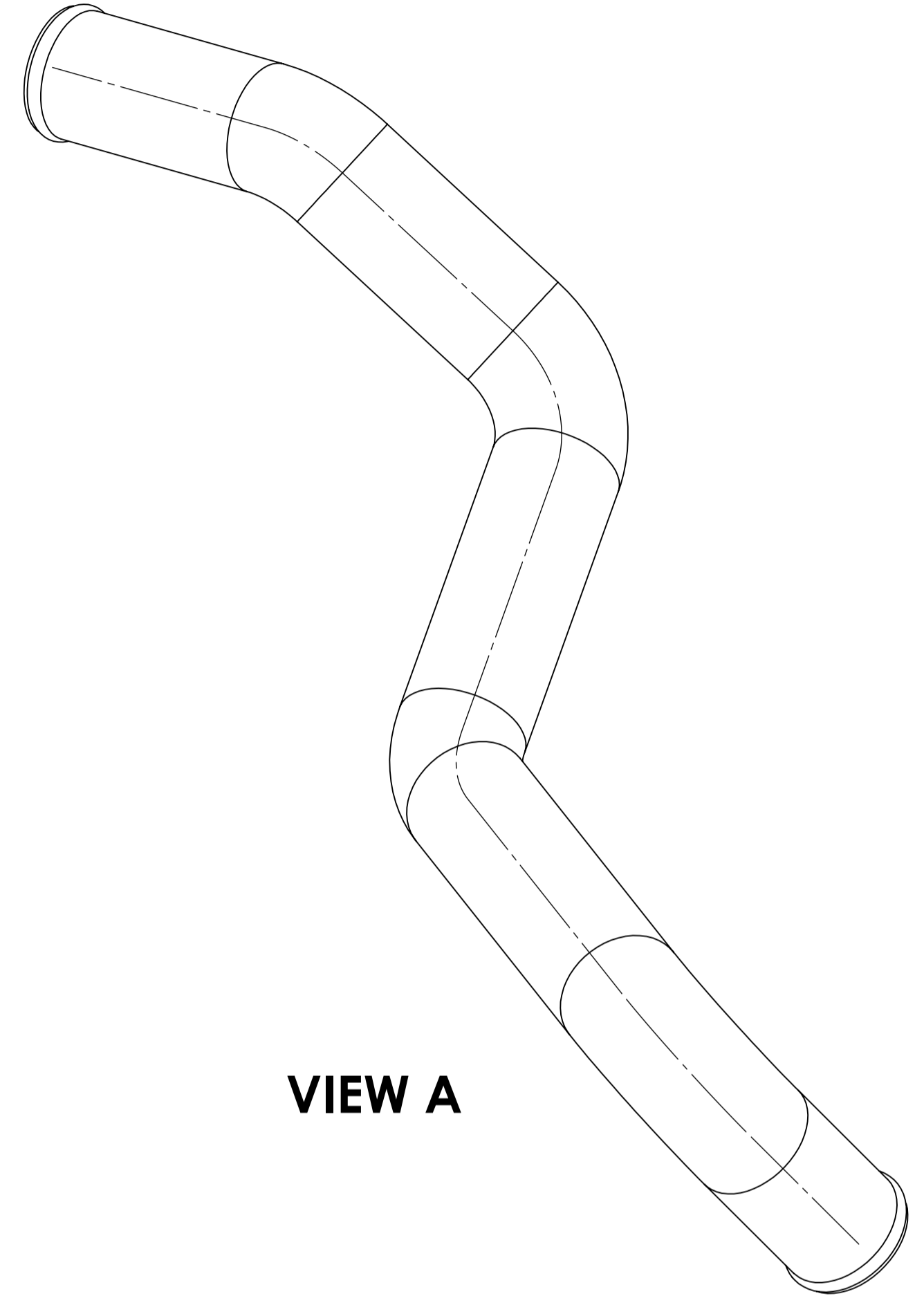


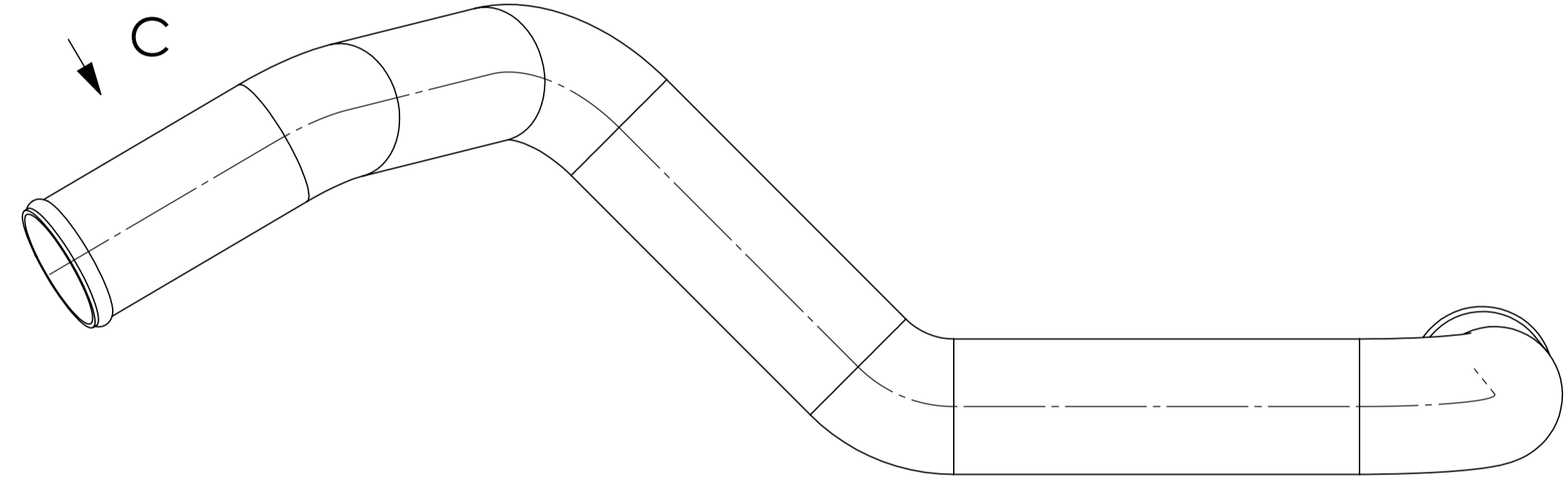
VIEW C



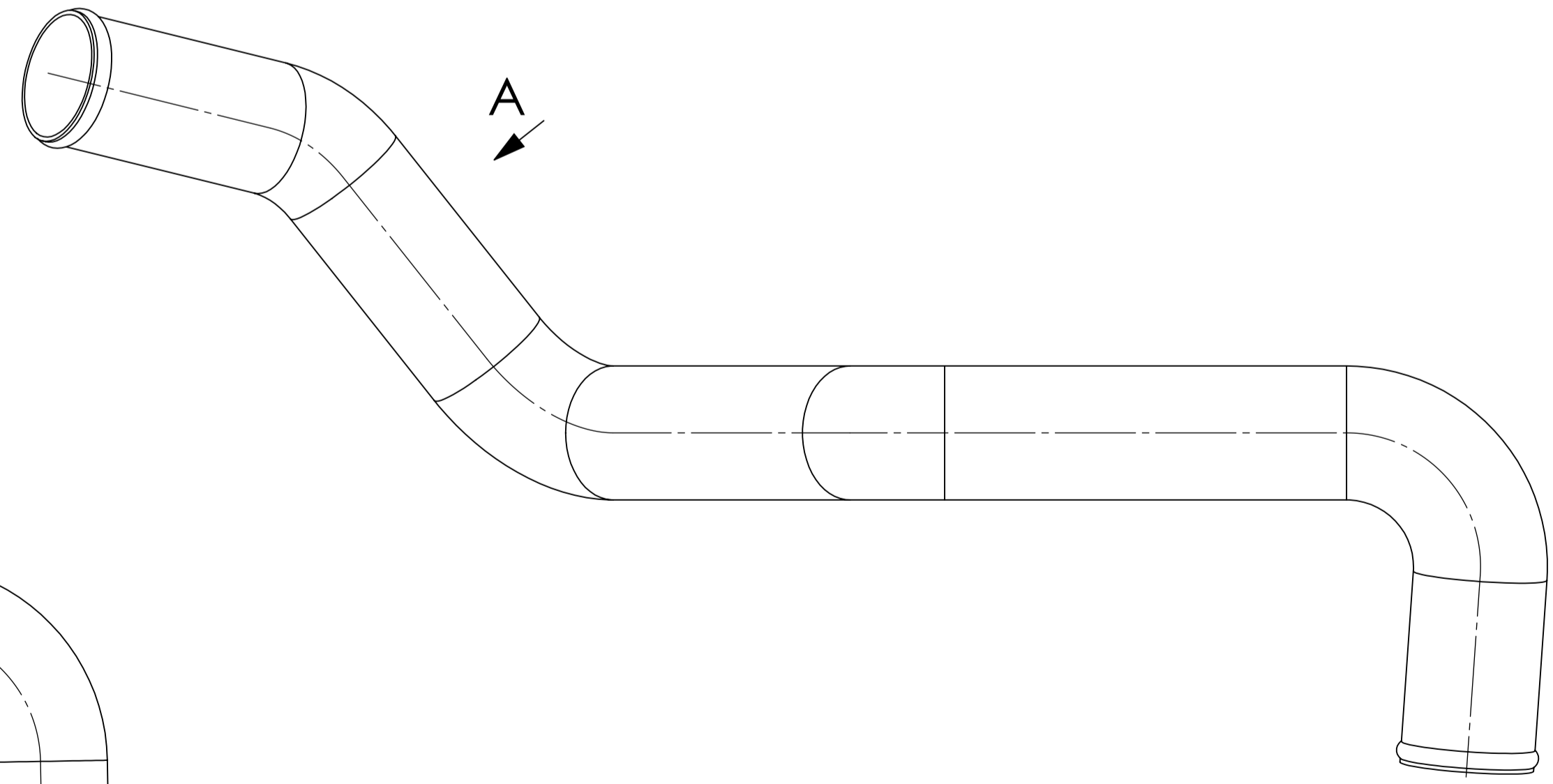
ISO VIEW



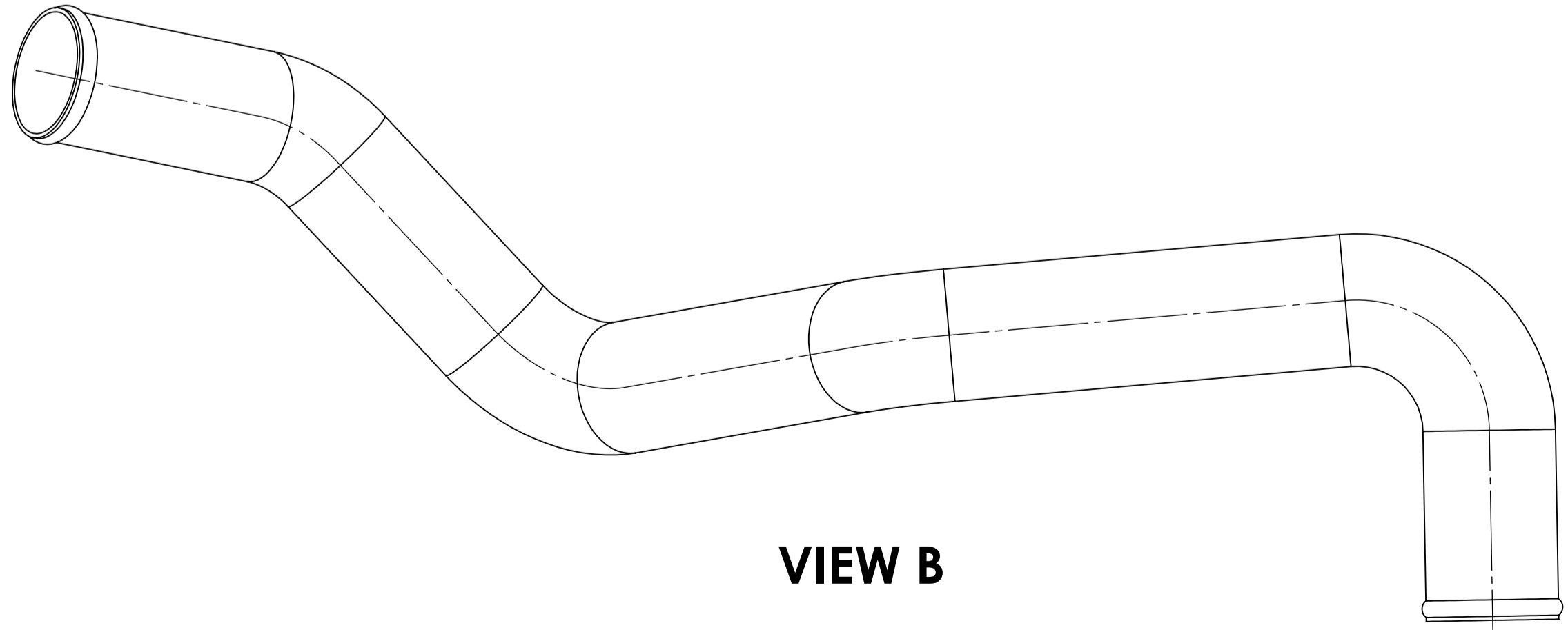
VIEW A



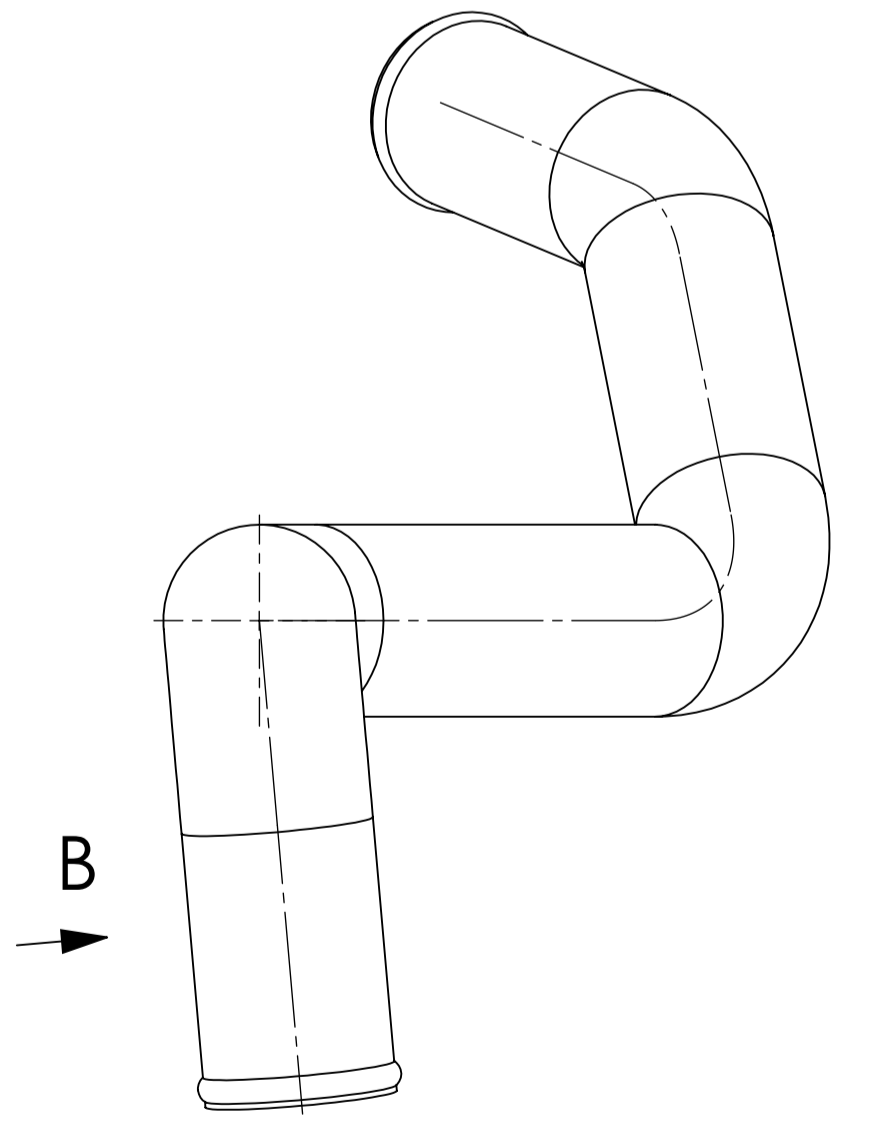
C



A



VIEW B



B

UNLESS OTHERWISE SPECIFIED: DIMENSIONS ARE IN MILLIMETERS		FINISH:	DEBurr AND BREAK SHARP EDGES	DO NOT SCALE DRAWING	REVISION
SURFACE FINISH:				SOUTHPOINTE RADIATOR	
TOLERANCES:				COOLANT TUBE	
LINEAR:				DWG NO. 75-20535516-PDF A1	
ANGULAR:				SCALE: 1:2	
DRAWN:	NAME	SIGNATURE	DATE	MATERIAL:	WEIGHT: 3.45
CHECKED:				AISI 304	
APPROVED:					
MFG:					
Q.A.:					
				SHEET 1 OF 1	