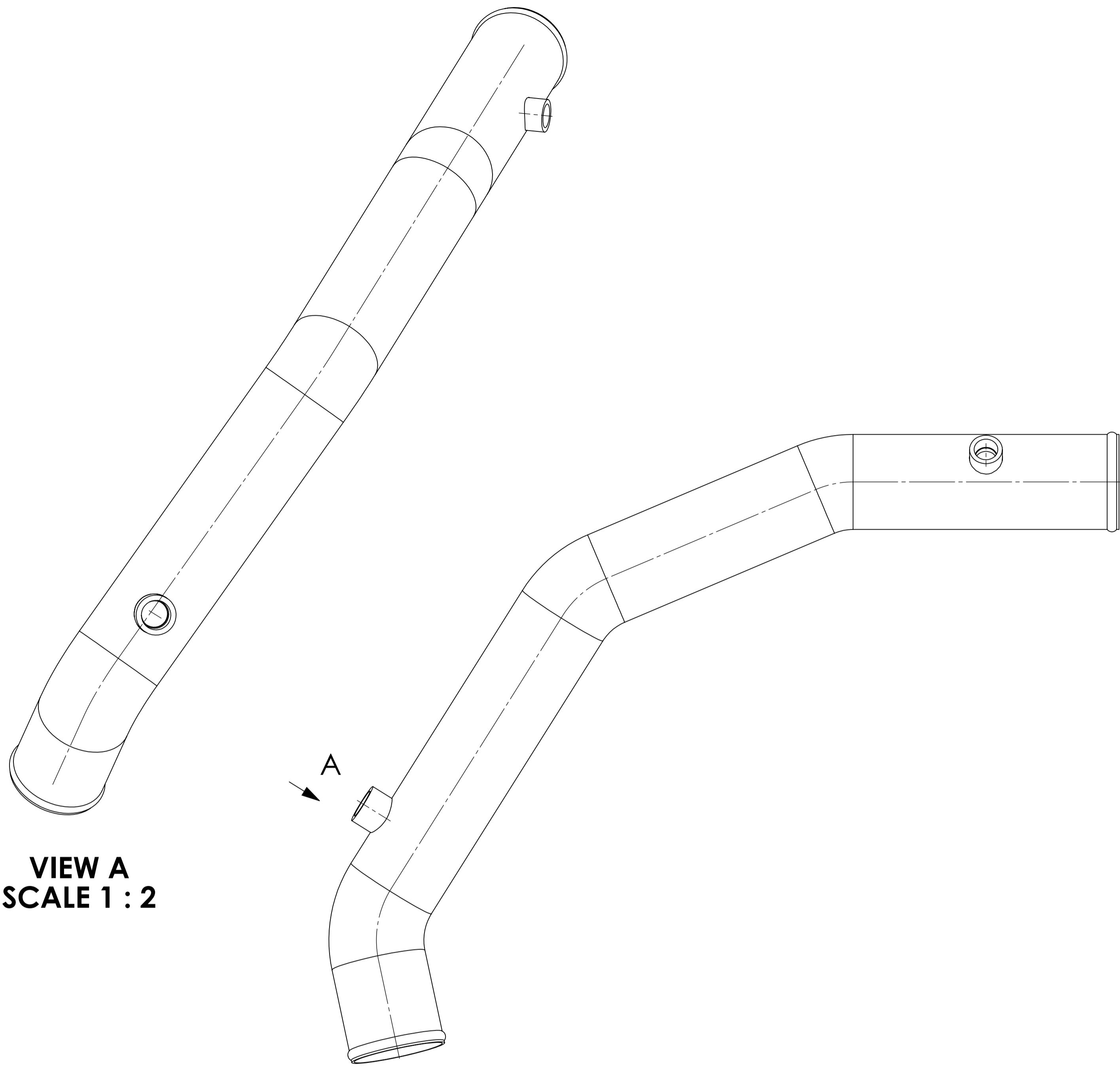
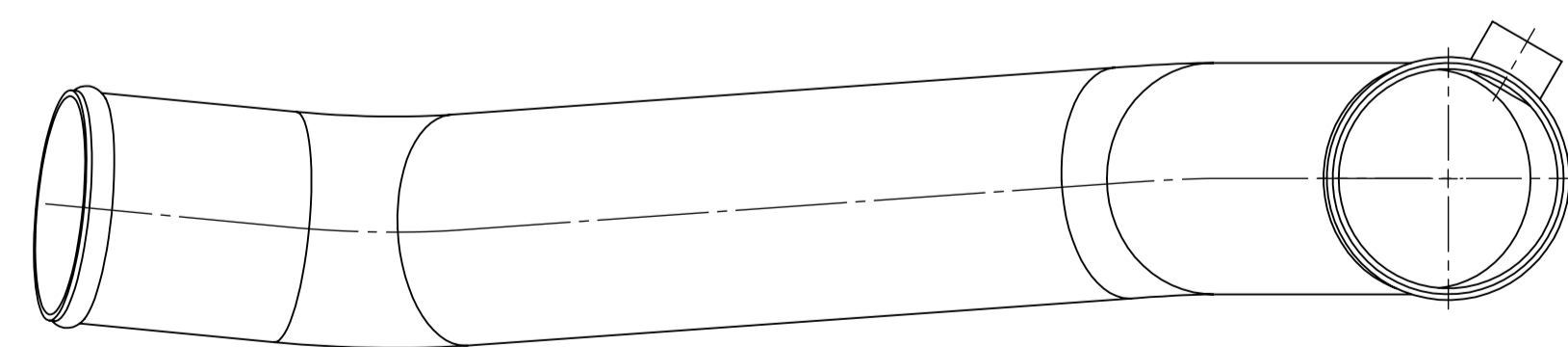
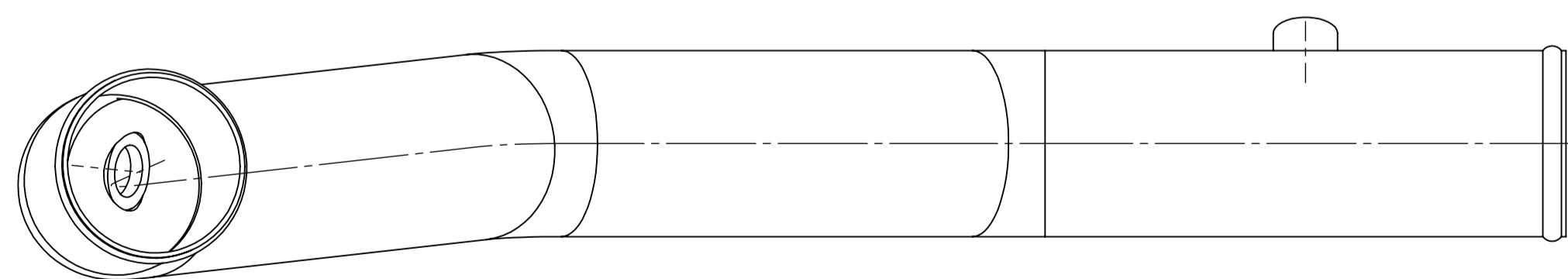
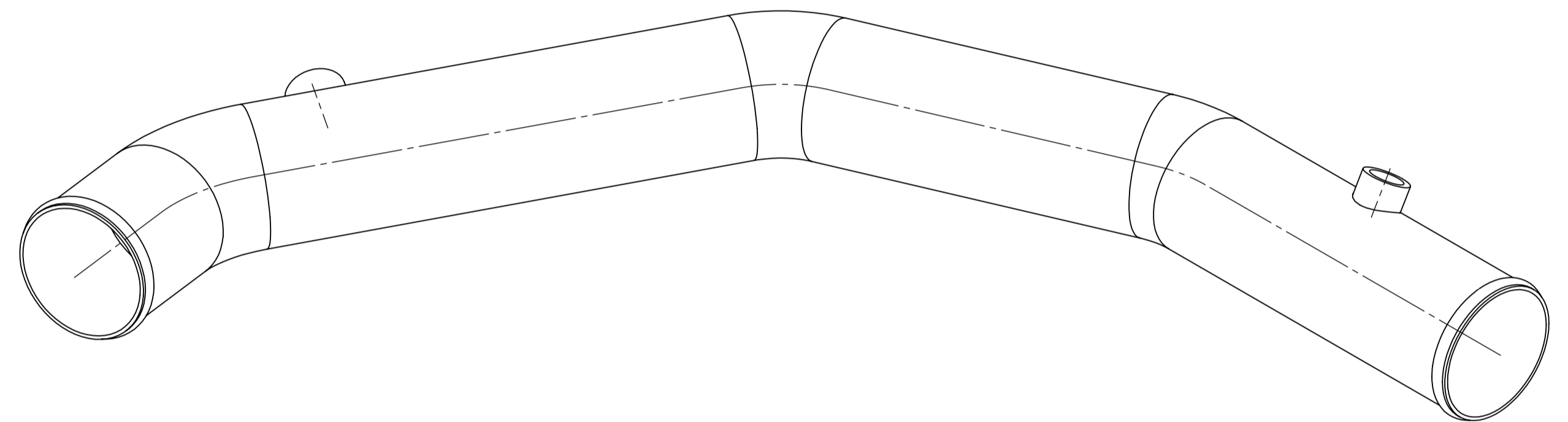


16 15 14 13 12 11 10 9 8 7 6 5 4 3 2 1

M L K J H G F E D C B A



VIEW A
SCALE 1 : 2



16 15 14 13 12 11 10 9 8 7 6 5 4 3 2 1

UNLESS OTHERWISE SPECIFIED: DIMENSIONS ARE IN MILLIMETERS		FINISH:	DEBURR AND BREAK SHARP EDGES		DO NOT SCALE DRAWING	REVISION
SURFACE FINISH:						
TOLERANCES:						
LINEAR:						
ANGULAR:						
NAME	SIGNATURE	DATE				
DRAWN						
CHECKED						
APPROVED						
MFG						
Q.A.						
		MATERIAL:		DWG NO.		
				75-KW1706		A1
		WEIGHT: 4.24		SCALE: 1:1.5		SHEET 1 OF 1

SOUTHPOINTE RADIATOR

**LOWER COOLANT
TUBE**

75-KW1706

A1