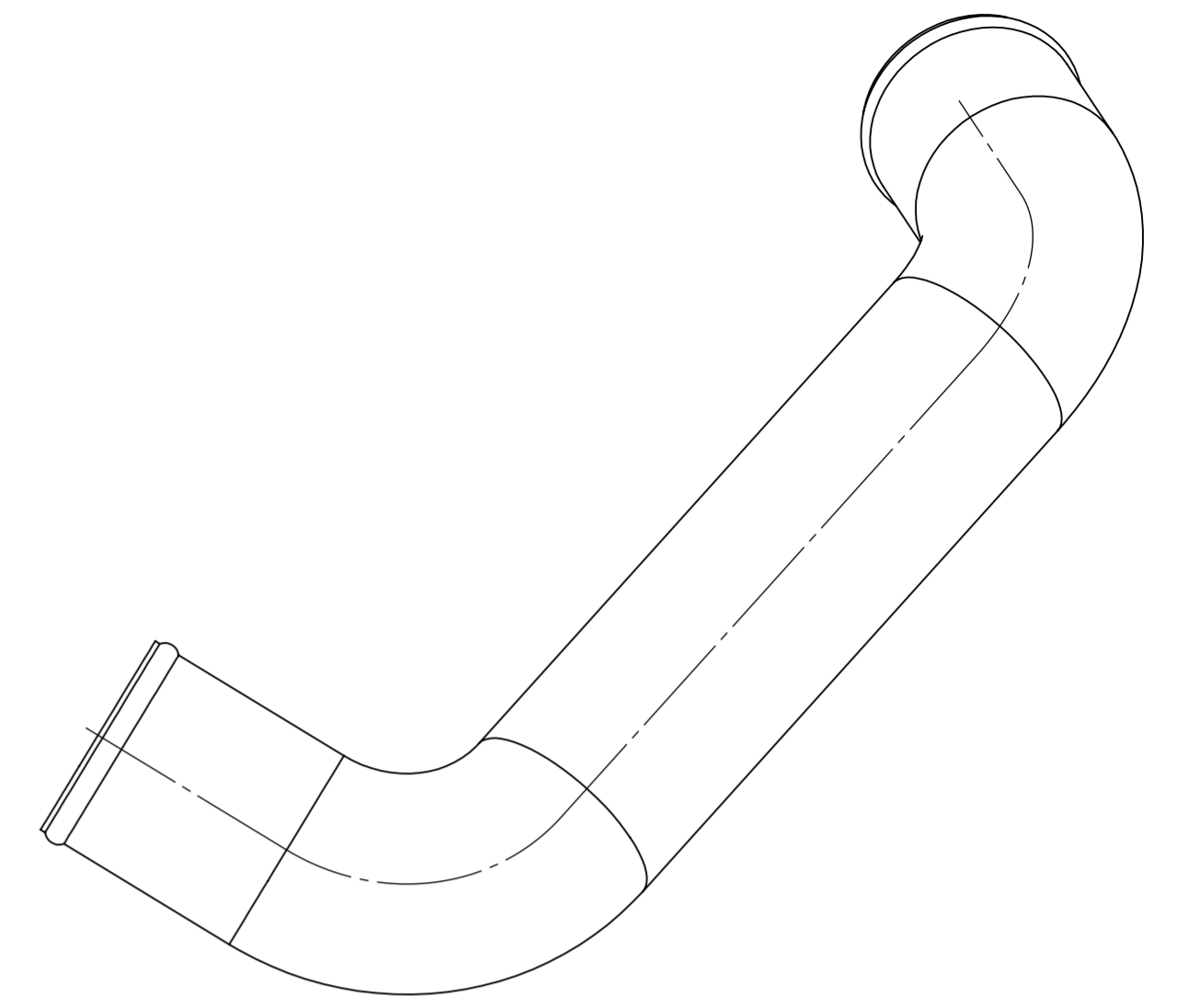
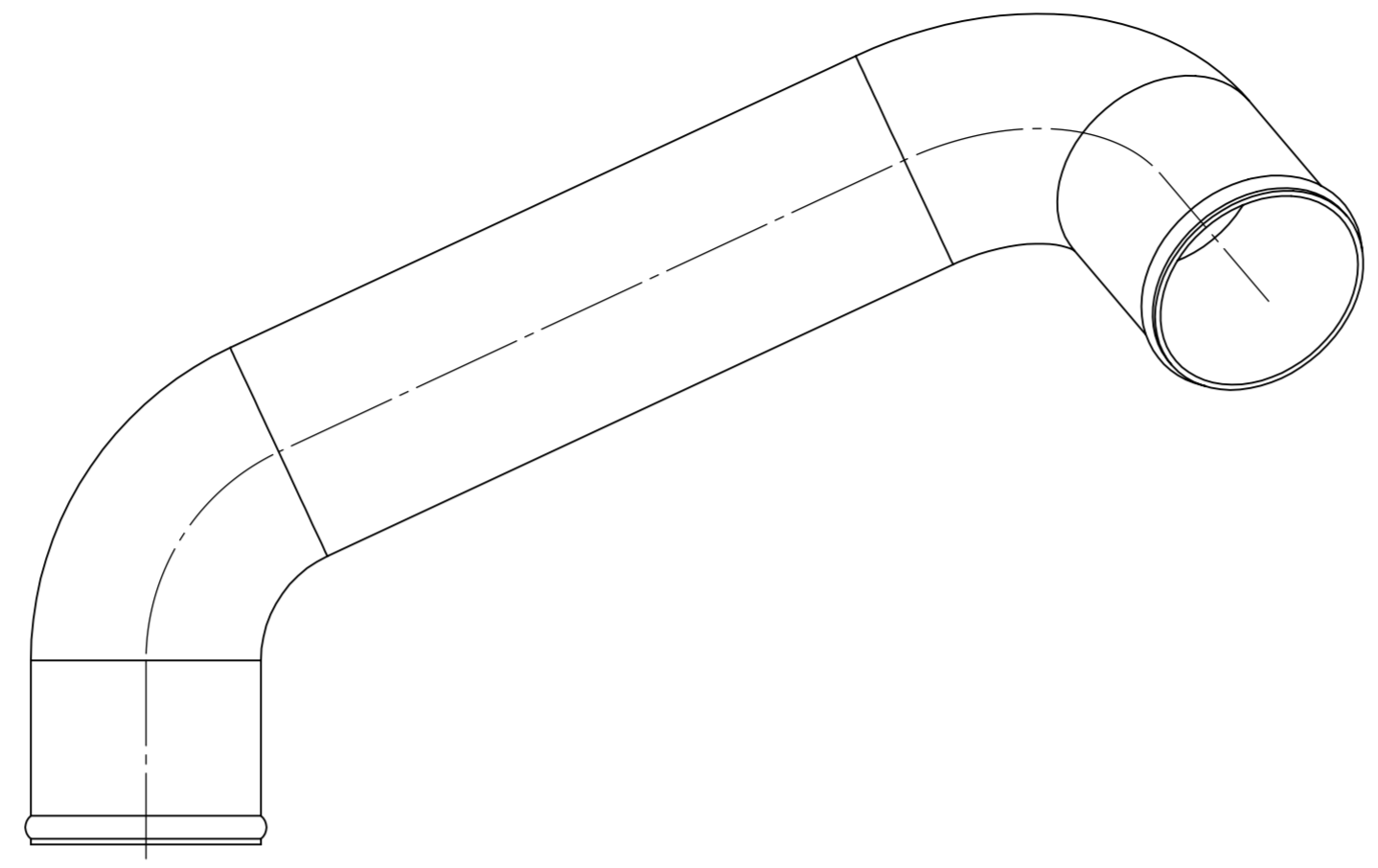
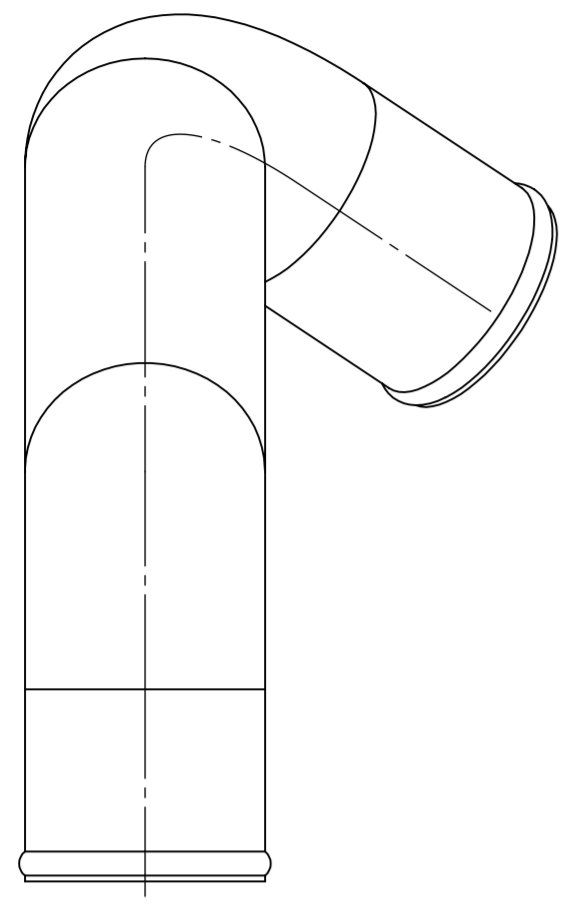
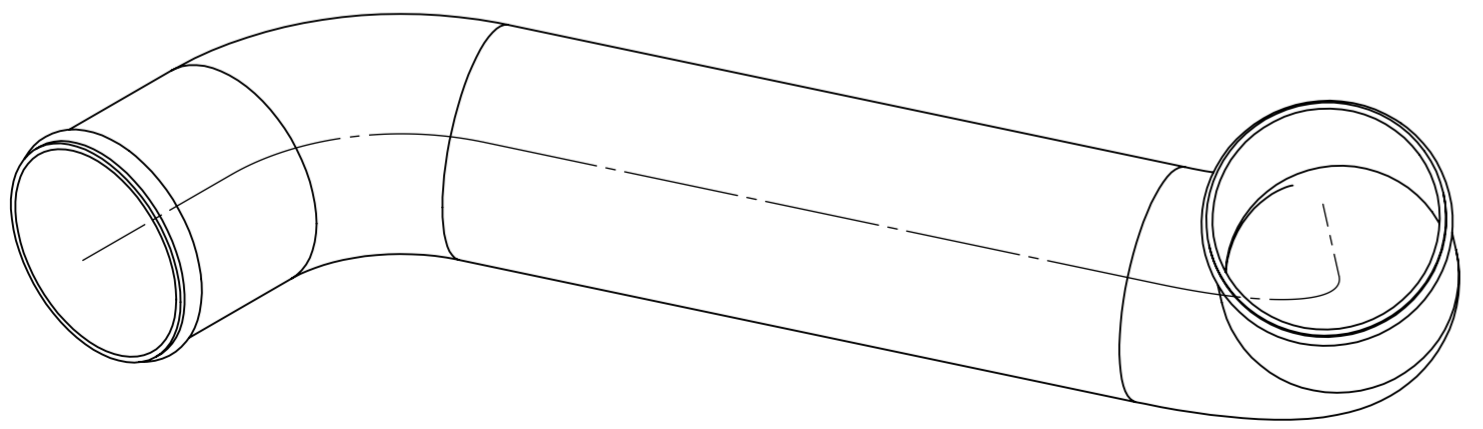
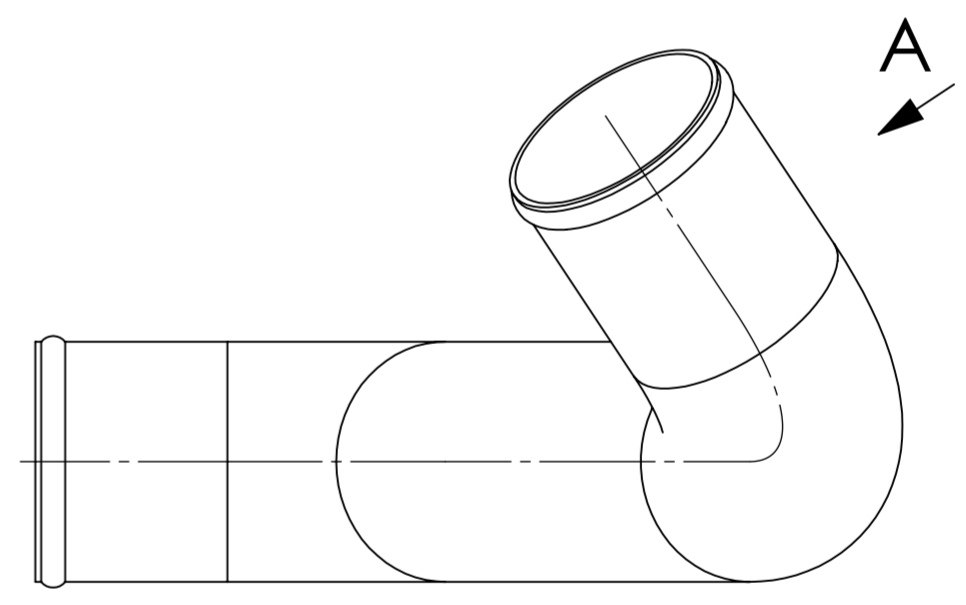
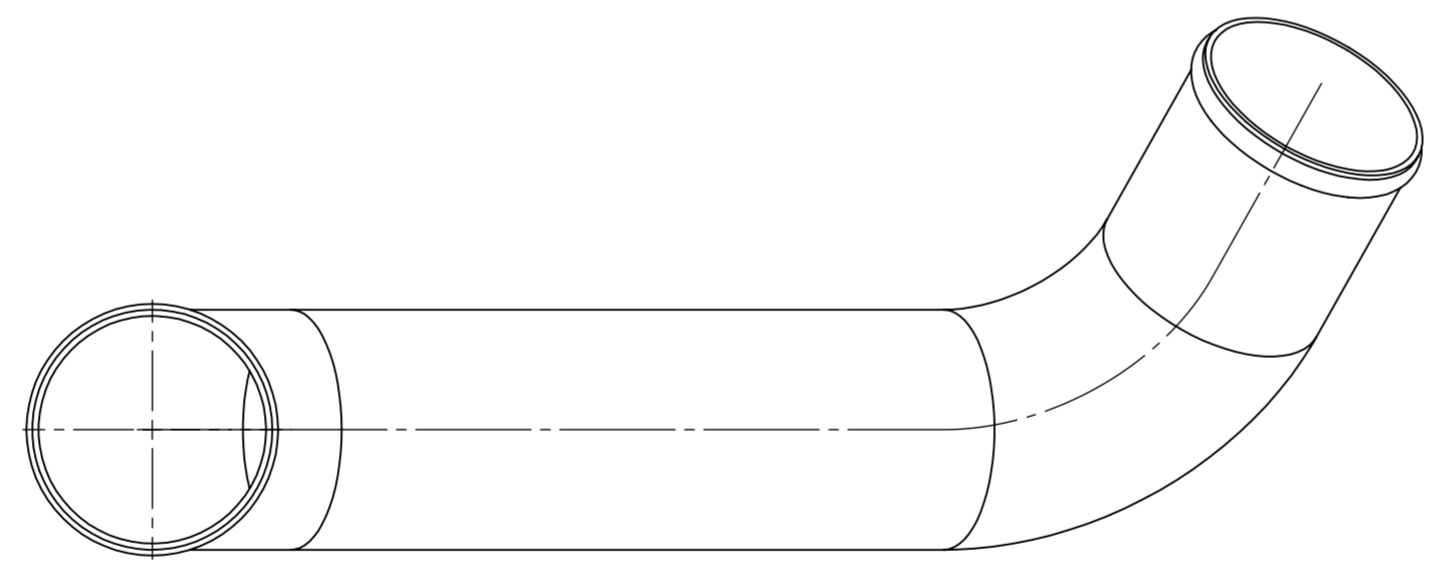


12 11 10 9 8 7 6 5 4 3 2 1

H
G
F
E
D
C
B
A



VIEW A



UNLESS OTHERWISE SPECIFIED: DIMENSIONS ARE IN MILLIMETERS		FINISH:		DEBURR AND BREAK SHARP EDGES		DO NOT SCALE DRAWING		REVISION	
SURFACE FINISH:						TITLE:		SOUTHPOINTE RADIATOR	
TOLERANCES:						DRAWN		UPPER COOLANT TUBE	
LINEAR:						CHK'D		DWG NO. 75-KW5743-PDF	
ANGULAR:						APPV'D		SCALE:1:2	
						MFG		SHEET 1 OF 1	
						Q.A.		A2	
				MATERIAL:		WEIGHT: 2.68			
				AISI 304					

12 11 10 9 8 7 6 5 4 3 2 1