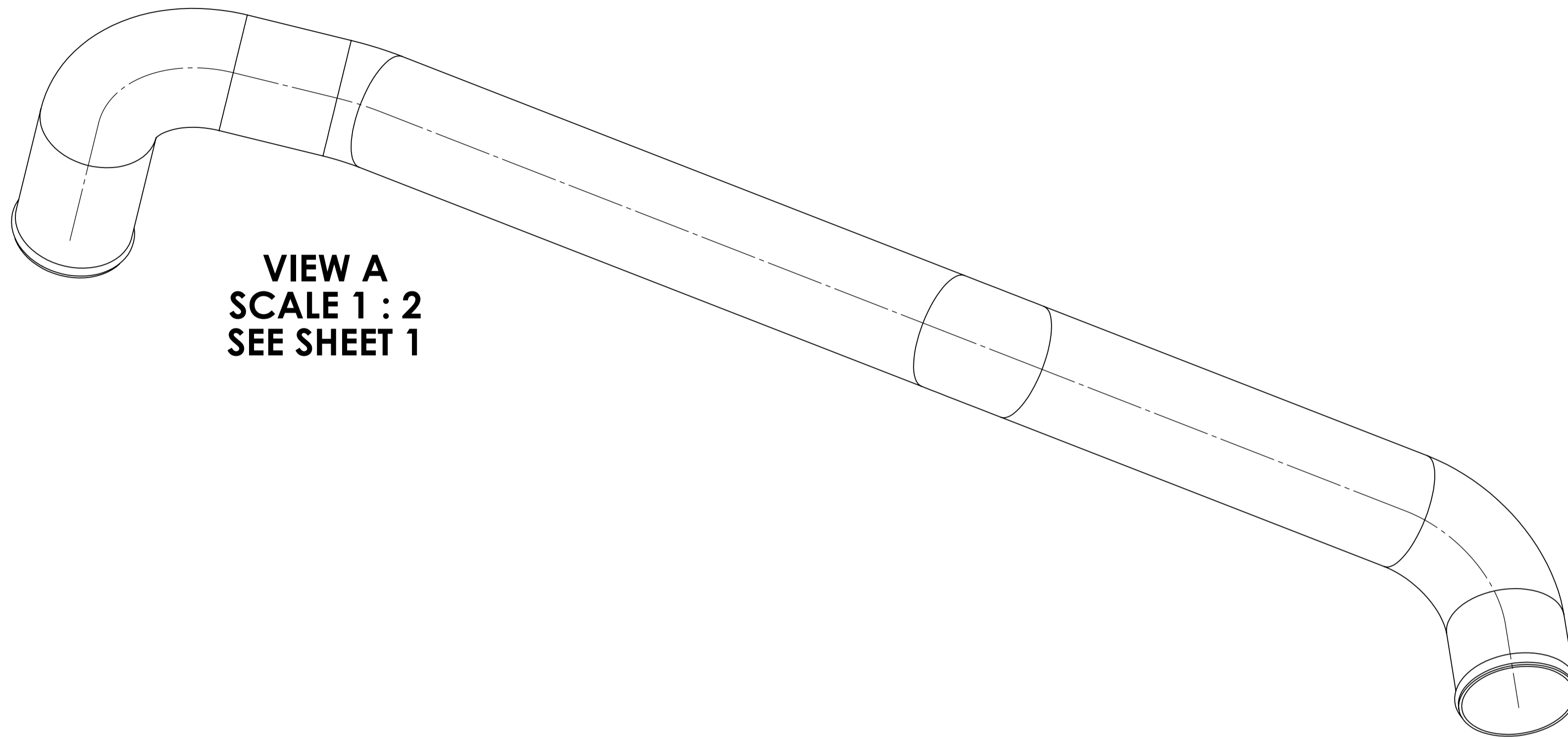


SEE SHEET 2
A

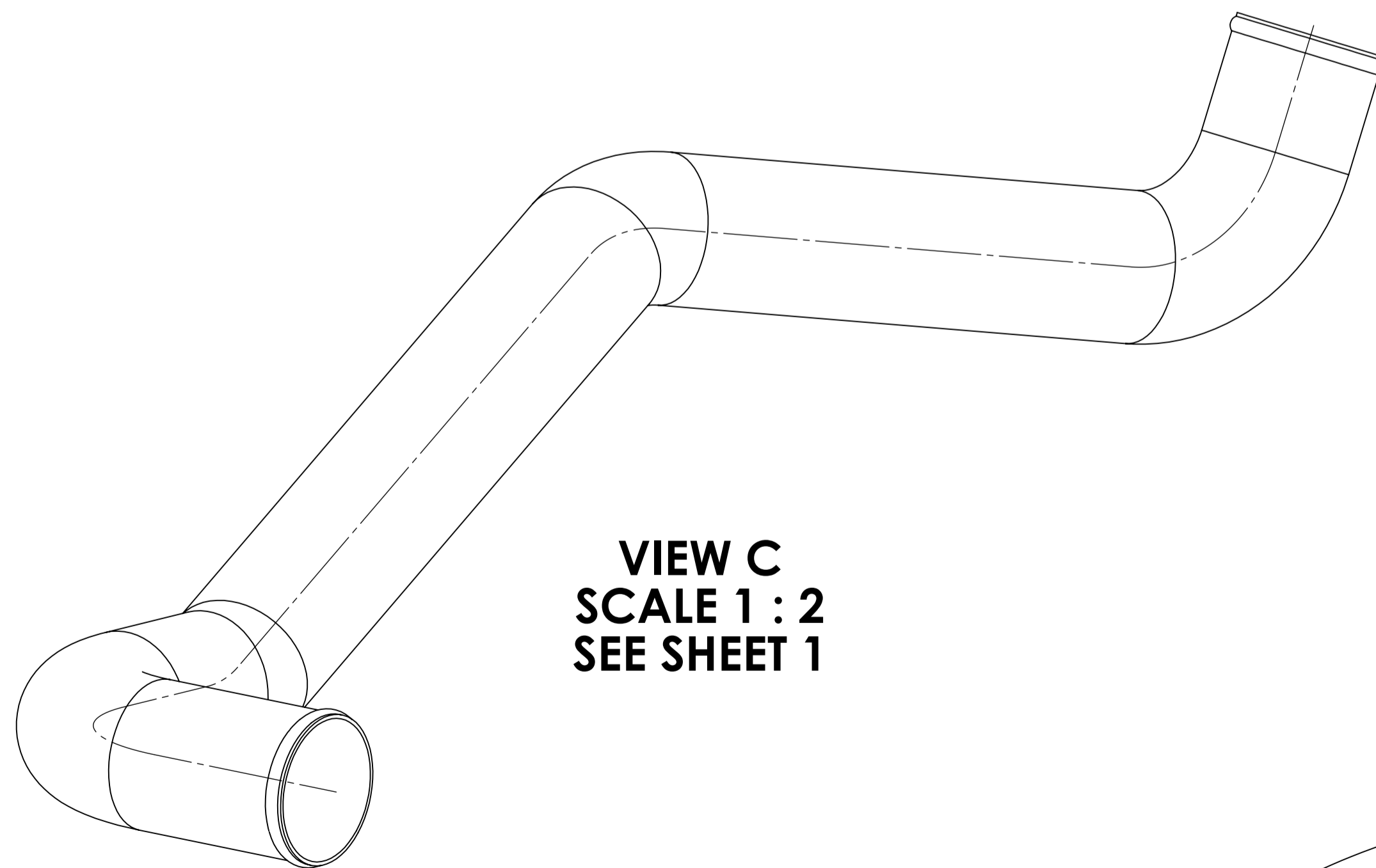
SEE SHEET 2
C

SEE SHEET 2
B

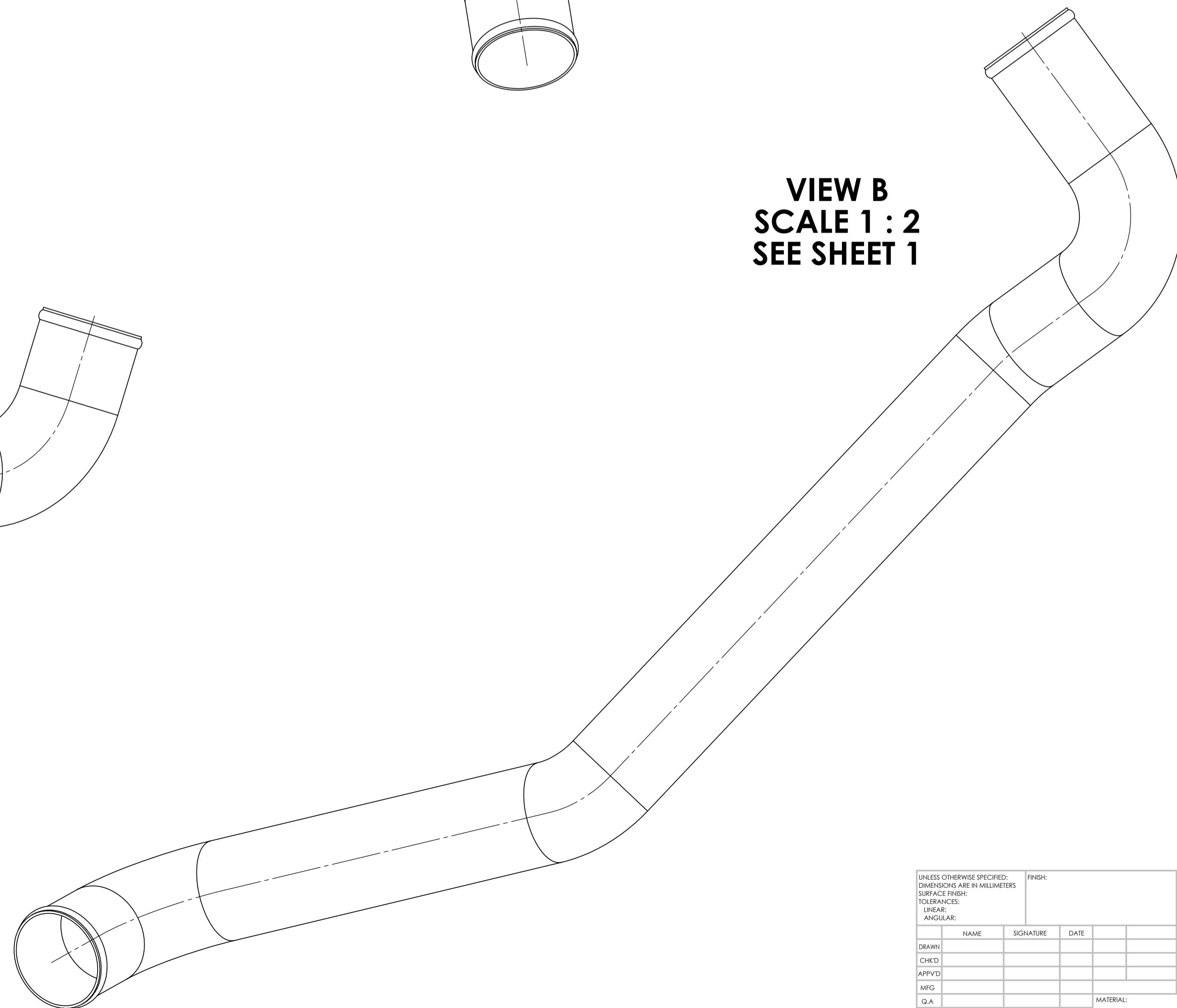
UNLESS OTHERWISE SPECIFIED: DIMENSIONS ARE IN MILLIMETERS		FINISH:	DEBURR AND BREAK SHARP EDGES		DO NOT SCALE DRAWING	REVISION
SURFACE FINISH:				SOUTHPOINTE RADIATOR		
TOLERANCES:				UPPER COOLANT TUBE		
LINEAR:				75-STXC458C061FA-PDF		
ANGULAR:				SCALE: 1:15		SHEET 1 OF 2
NAME	SIGNATURE	DATE				
DRAWN						
CHEK						
APPVD						
MFG						
Q.A.						
MATERIAL: AISI 304			DWG NO. 75-STXC458C061FA-PDF		WEIGHT: 5.92	



VIEW A
SCALE 1 : 2
SEE SHEET 1



VIEW C
SCALE 1 : 2
SEE SHEET 1



VIEW B
SCALE 1 : 2
SEE SHEET 1

UNLESS OTHERWISE SPECIFIED: DIMENSIONS ARE IN MILLIMETERS		FINISH:	DEBURR AND BREAK SHARP EDGES		DO NOT SCALE DRAWING	REVISION
SURFACE FINISH:				SOUTHPOINTE RADIATOR		
TOLERANCES:				UPPER COOLANT		
LINEAR:				TUBE		
ANGULAR:				75-STXC458C061FA-PDF		
NAME	SIGNATURE	DATE				
DRAWN						
CHEK						
APPVD						
MFG						
Q.A.						
MATERIAL: AISI 304		DWG NO:		SCALE: 1:1.5		SHEET 2 OF 2
WEIGHT: 5.92						