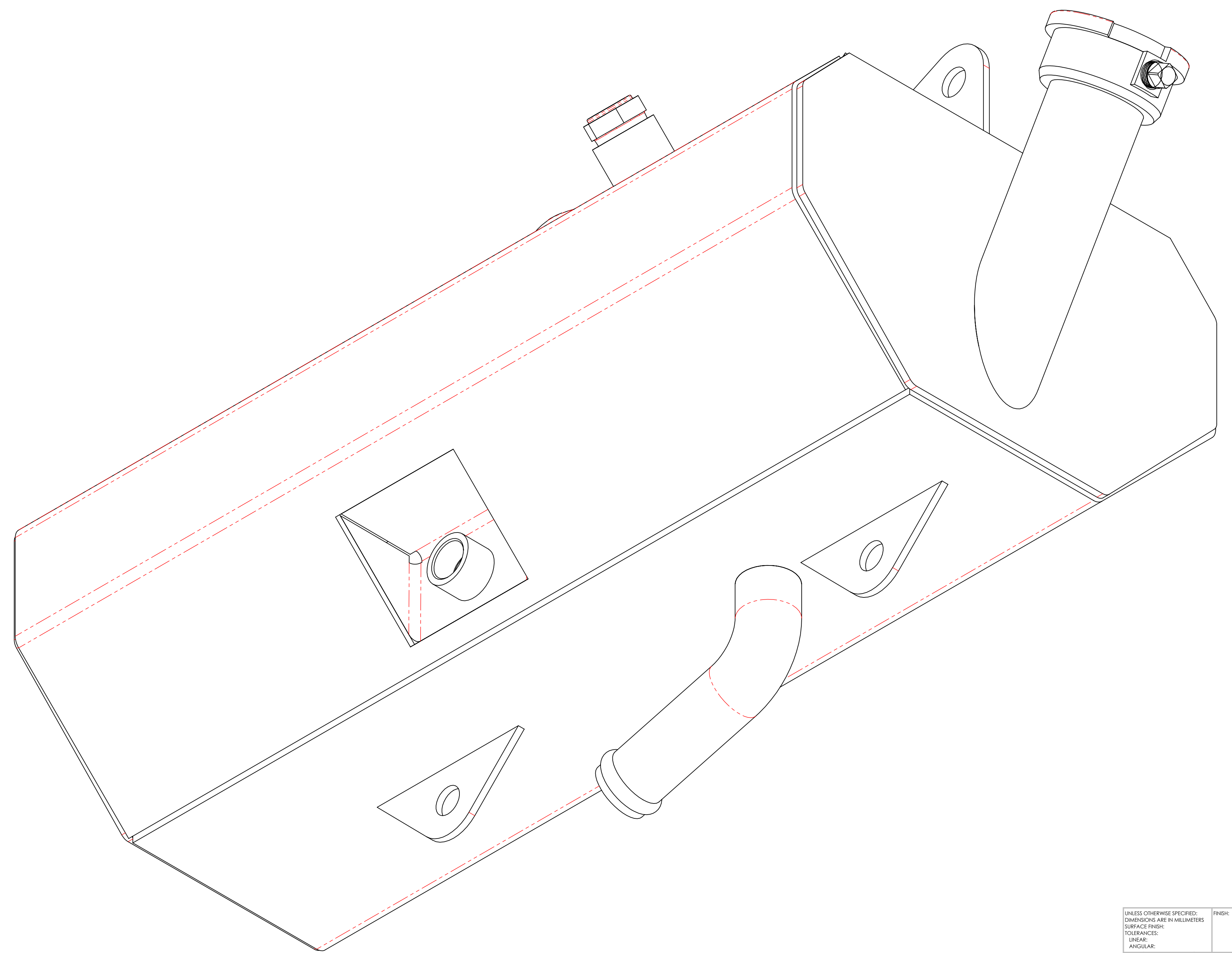
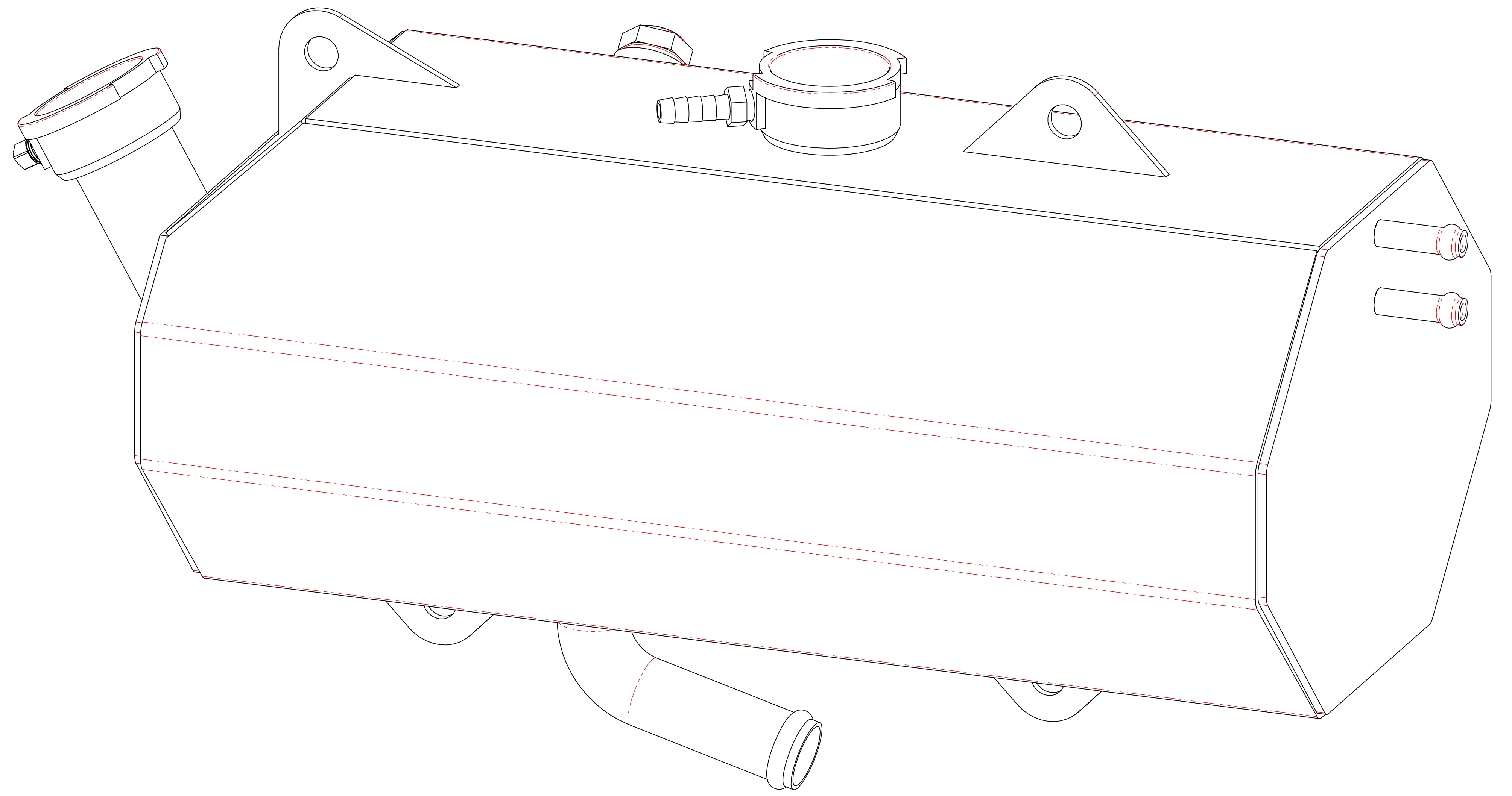


<small>UNLESS OTHERWISE SPECIFIED: DIMENSIONS ARE IN MILLIMETERS DECIMALS: 0.0004 FRACTIONS: 1/32</small>		<small>FINISH: UNLESS NOTED OTHERWISE</small>	<small>UNLESS NOTED OTHERWISE: STAINLESS STEEL 304</small>	<small>SOHO/SCHULZ BERWING</small>	<small>REVISION</small>
<small>DESIGN</small>	<small>NAME</small>	<small>SHAURE</small>	<small>DATE</small>	<small>TITLE</small>	<small>51-17460-SPR-PDF</small>
<small>CHKD</small>					
<small>APPROV</small>					
<small>INFO</small>					
<small>QA</small>					
				<small>MATERIAL: Material &lt;not specified&gt;</small>	<small>SCALE: 1:1</small>
				<small>WEIGHT: 4.80</small>	<small>SHEET 2 OF 2</small>



UNLESS OTHERWISE SPECIFIED: DIMENSIONS ARE IN MILLIMETERS DECIMALS FRACTIONS MKS. ANGLES		FINISH	TOLERANCE AND BREAK SHARP EDGES	SOHNETSCHULZ DRÄHWING	REVISION
NAME	SCHAUERE	DATE		TITLE	
DRAMAN				SOUTHPOINTE RADIATOR	
CRD				SURGE TANK	
APPROV					
INFO					
DLA					
MATERIAL: Material <not specified>			WEIGHT: 4.80	PROJ NO:	51-17460-SPR-PDF A0
				SCALE: 1:1	SHEET 2 OF 2