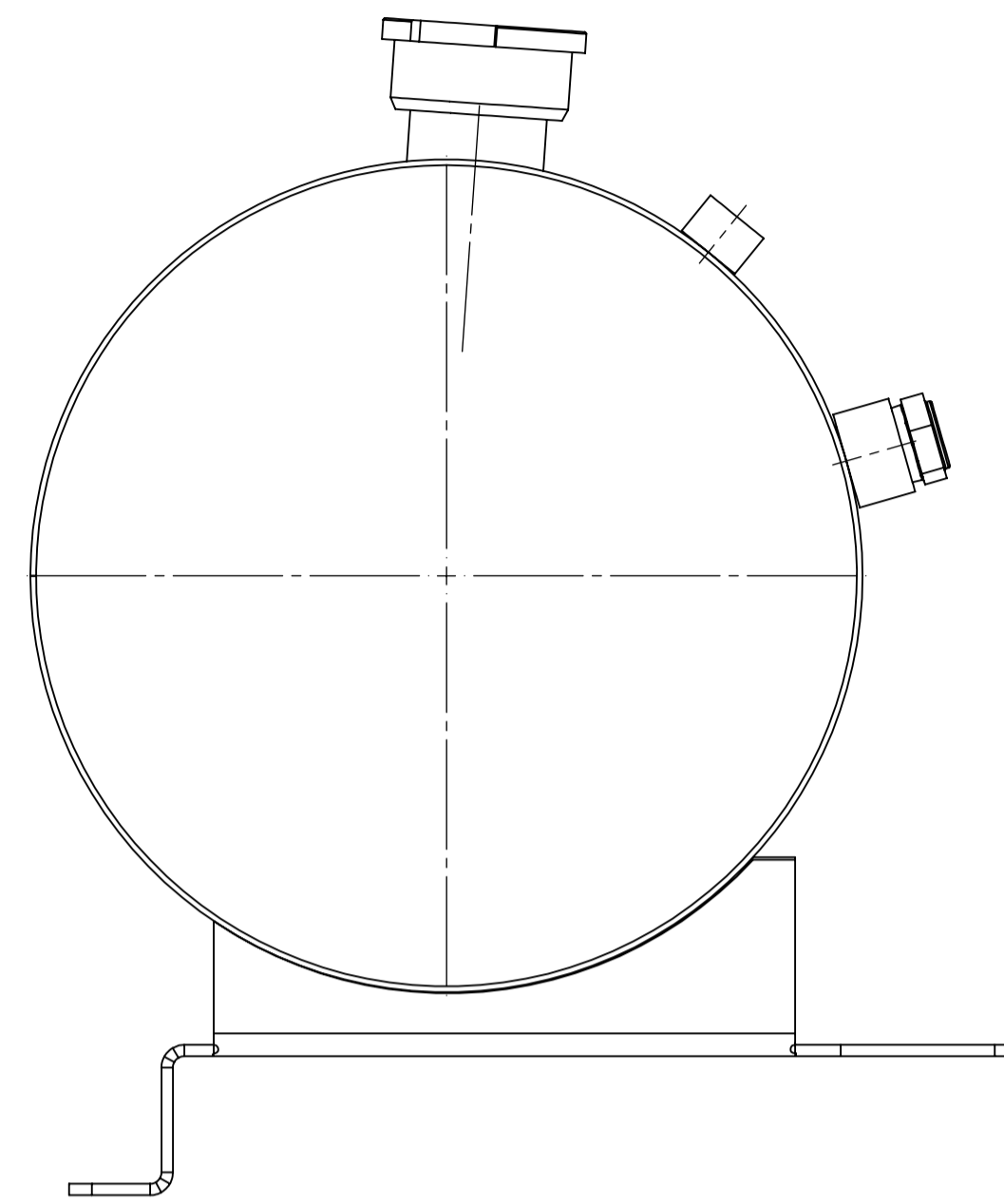
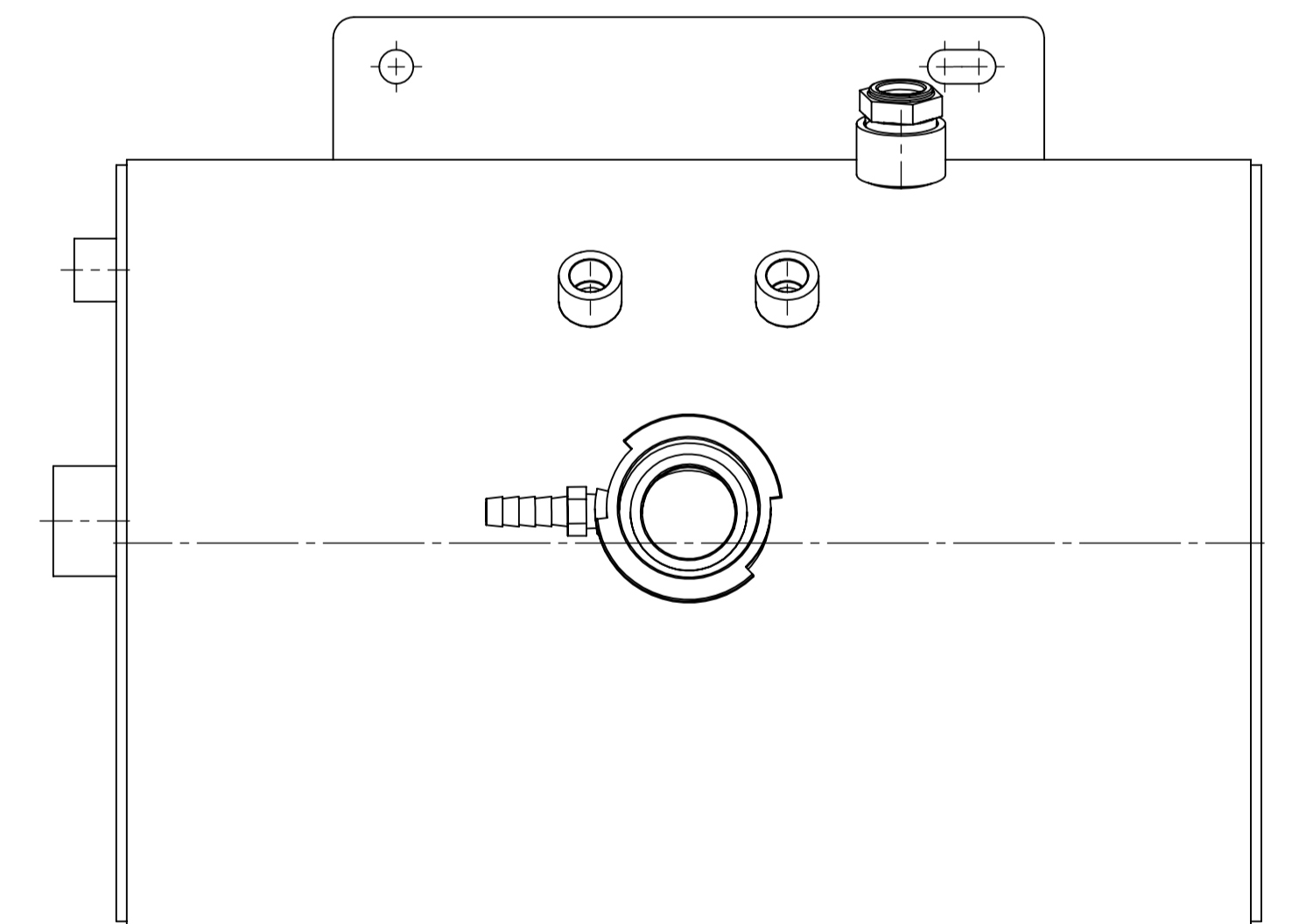
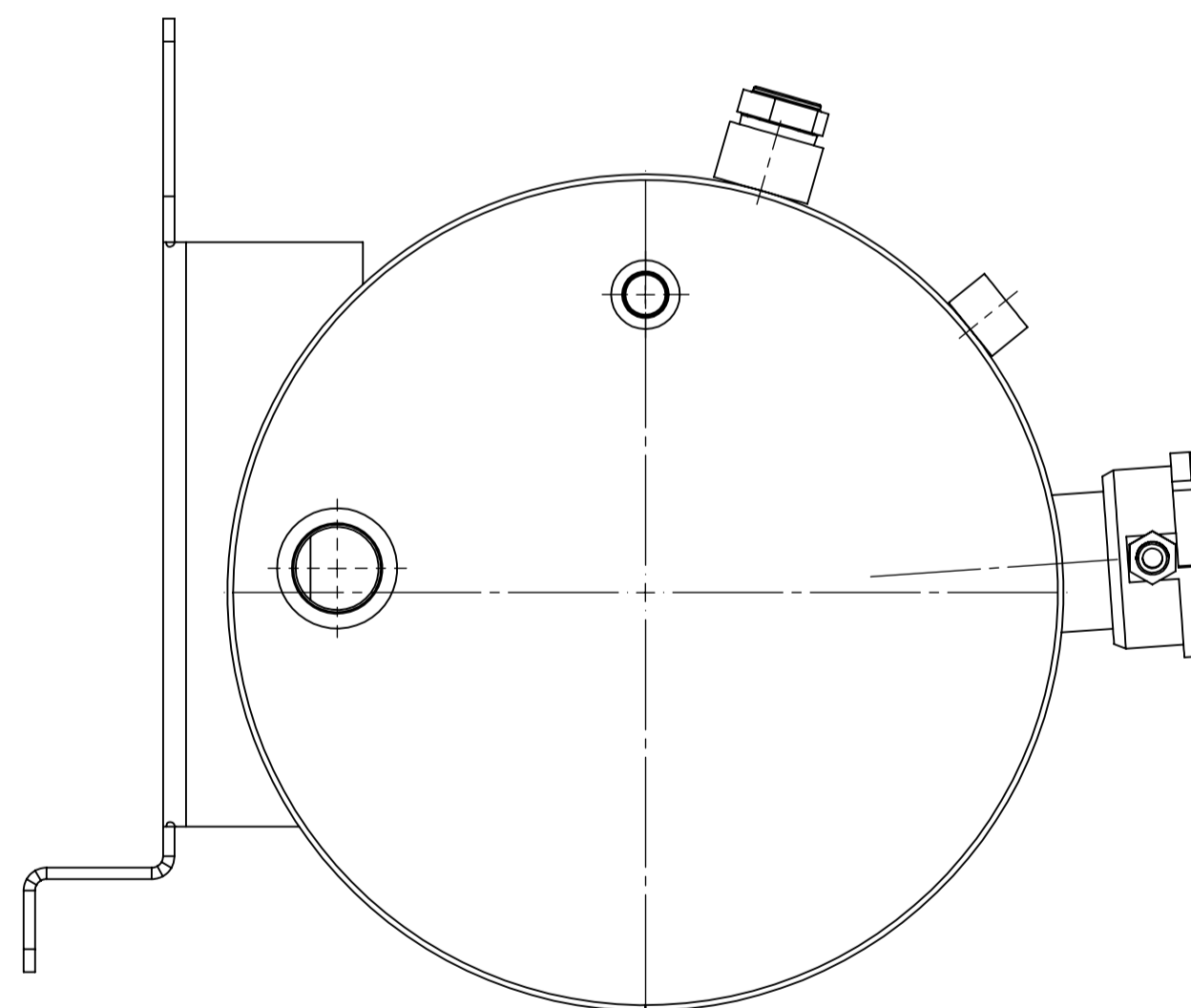
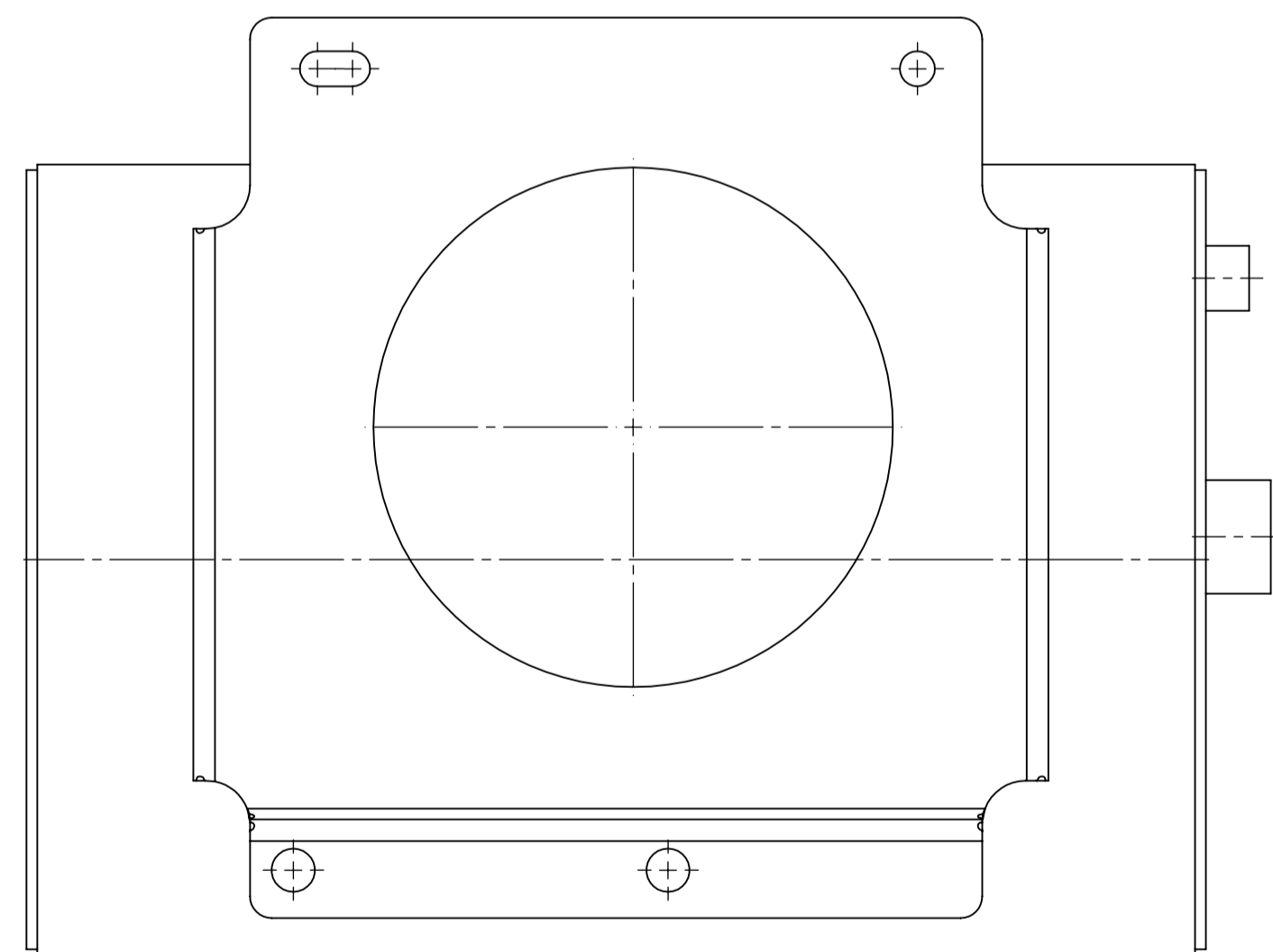
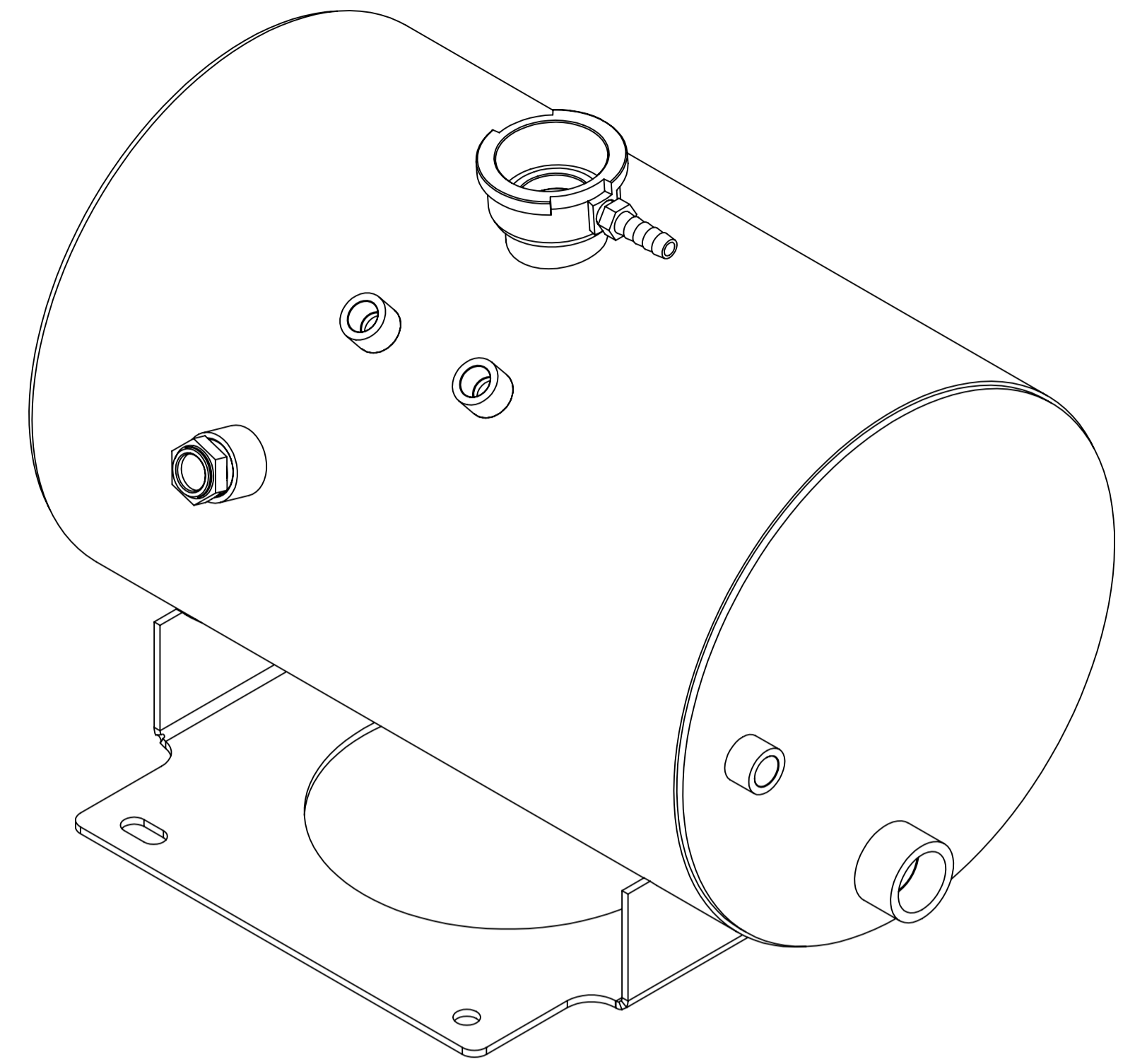


A  
→



VIEW A



UNLESS OTHERWISE SPECIFIED: DIMENSIONS ARE IN MILLIMETERS		FINISH:	DEBURR AND BREAK SHARP EDGES	DO NOT SCALE DRAWING	REVISION
SURFACE FINISH:					
TOLERANCES:					
LINEAR:					
ANGULAR:					
NAME	SIGNATURE	DATE			TITLE:
DRAWN					SURGE TANK
CHEK					
APPVD					
MFG					
Q.A.					
MATERIAL:		DWG NO.		F86-6061-003-00-WS <sup>A1</sup>	
Material <not specified>		SCALE:1:2		SHEET 1 OF 1	
WEIGHT: 7.57					