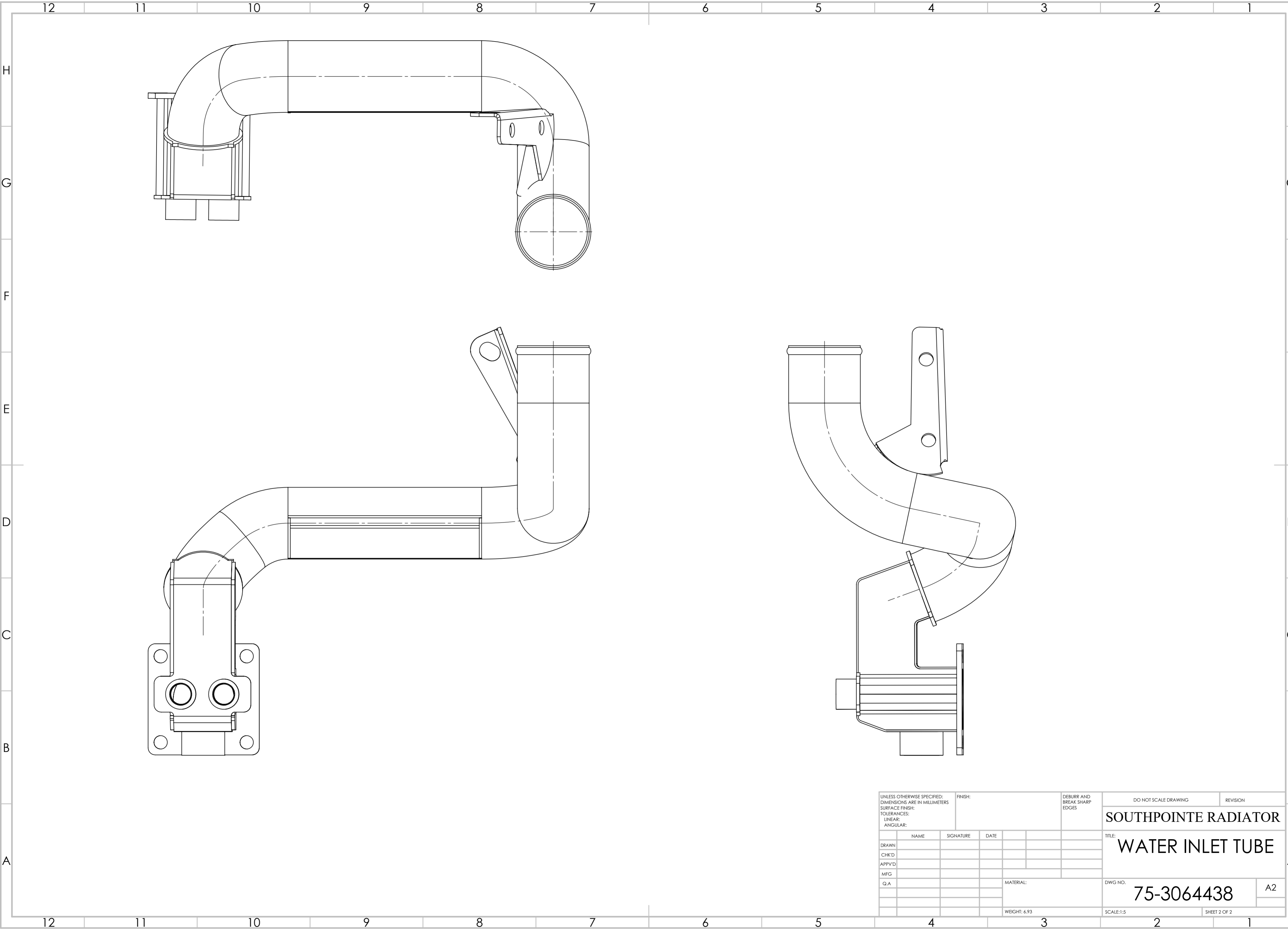


UNLESS OTHERWISE SPECIFIED: DIMENSIONS ARE IN MILLIMETERS			FINISH:		DEBURR AND BREAK SHARP EDGES		DO NOT SCALE DRAWING		REVISION	
SURFACE FINISH:							SOUTHPORTE RADIATOR			
TOLERANCES:							TITLE:			
LINEAR:							WATER INLET TUBE			
ANGULAR:										
	NAME	SIGNATURE	DATE							
DRAWN										
CHK'D										
APPV'D										
MFG										
Q.A										
							MATERIAL:		DWG NO.	
									75-3064438	A2
							WEIGHT: 6.93		SCALE: 1:5	SHEET 1 OF 2



UNLESS OTHERWISE SPECIFIED: DIMENSIONS ARE IN MILLIMETERS			FINISH:		DEBURR AND BREAK SHARP EDGES		DO NOT SCALE DRAWING		REVISION	
SURFACE FINISH:							TITLE:		SOUTHPOINTE RADIATOR	
TOLERANCES:							WATER INLET TUBE			
LINEAR:							DWG NO.		75-3064438	
ANGULAR:							SCALE:1:5		SHEET 2 OF 2	
DRAWN			NAME		SIGNATURE		DATE		MATERIAL:	
CHK'D									WEIGHT: 6.93	
APPV'D									A2	
MFG										
Q.A										