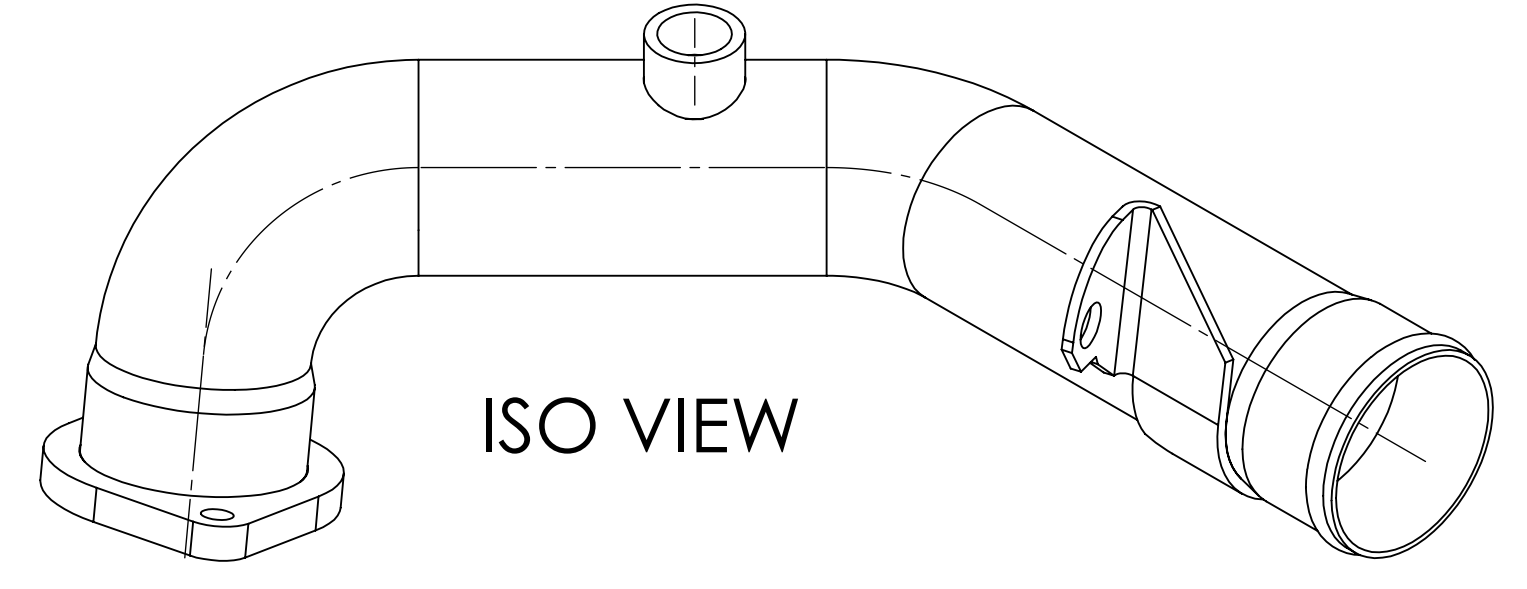
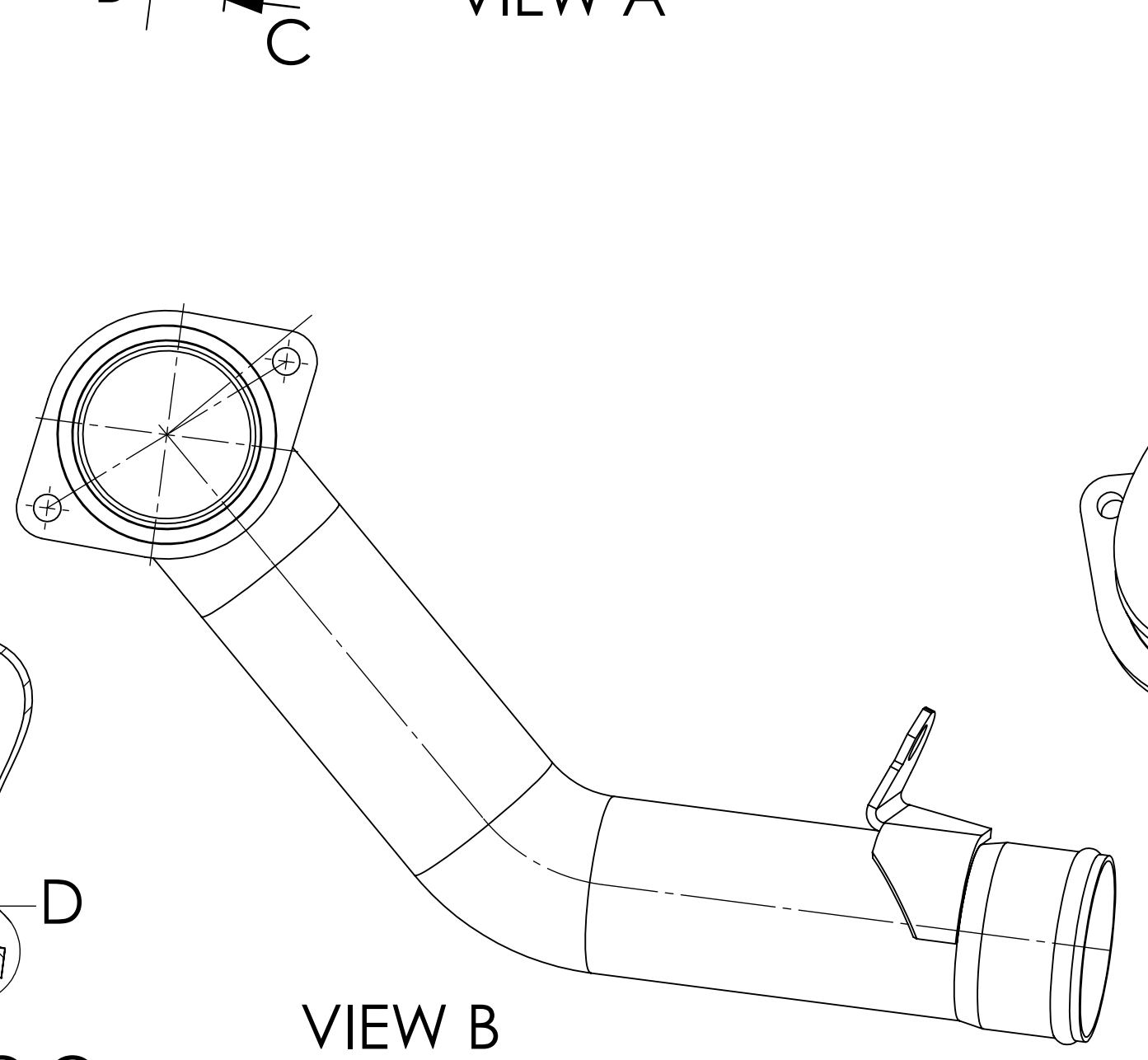


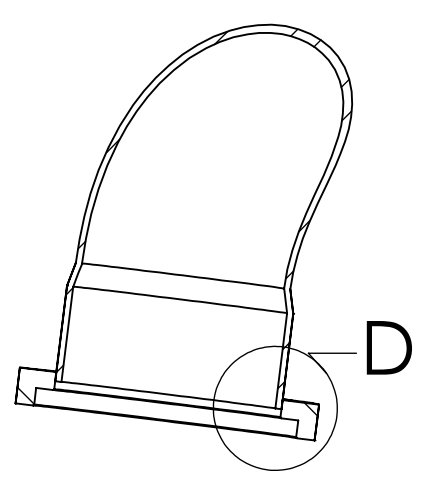
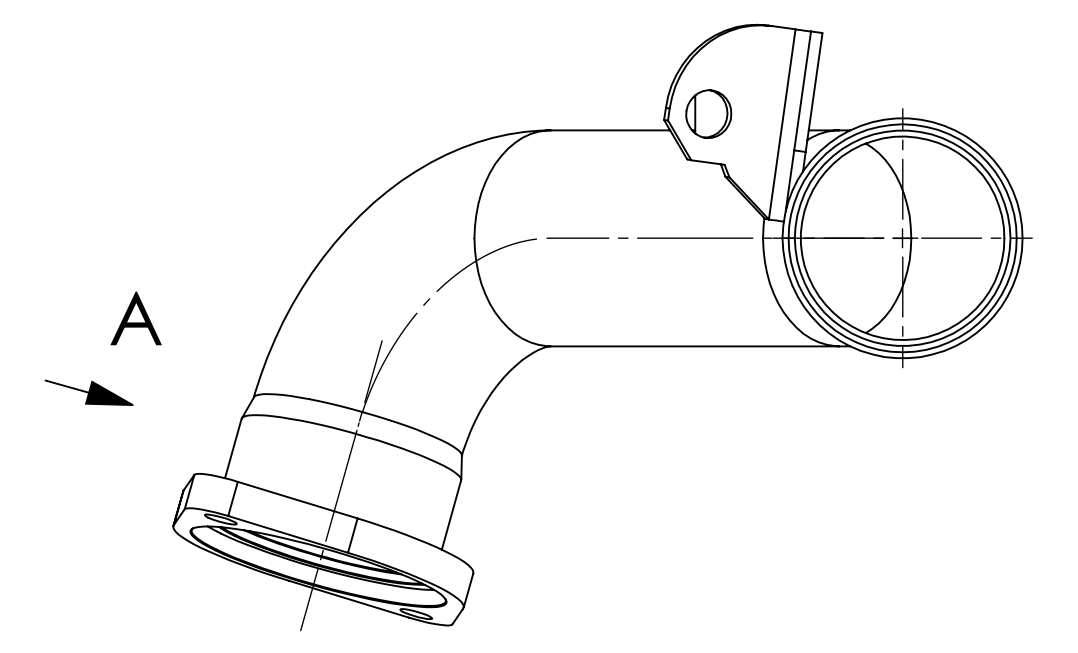
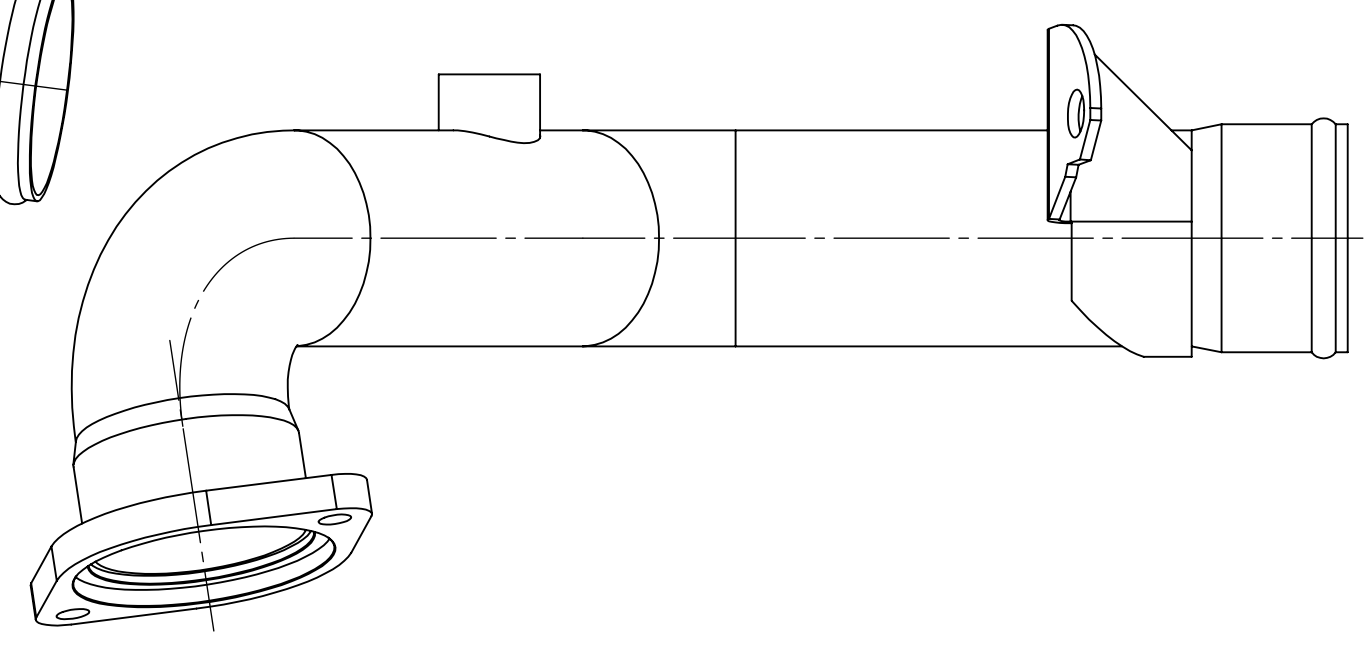
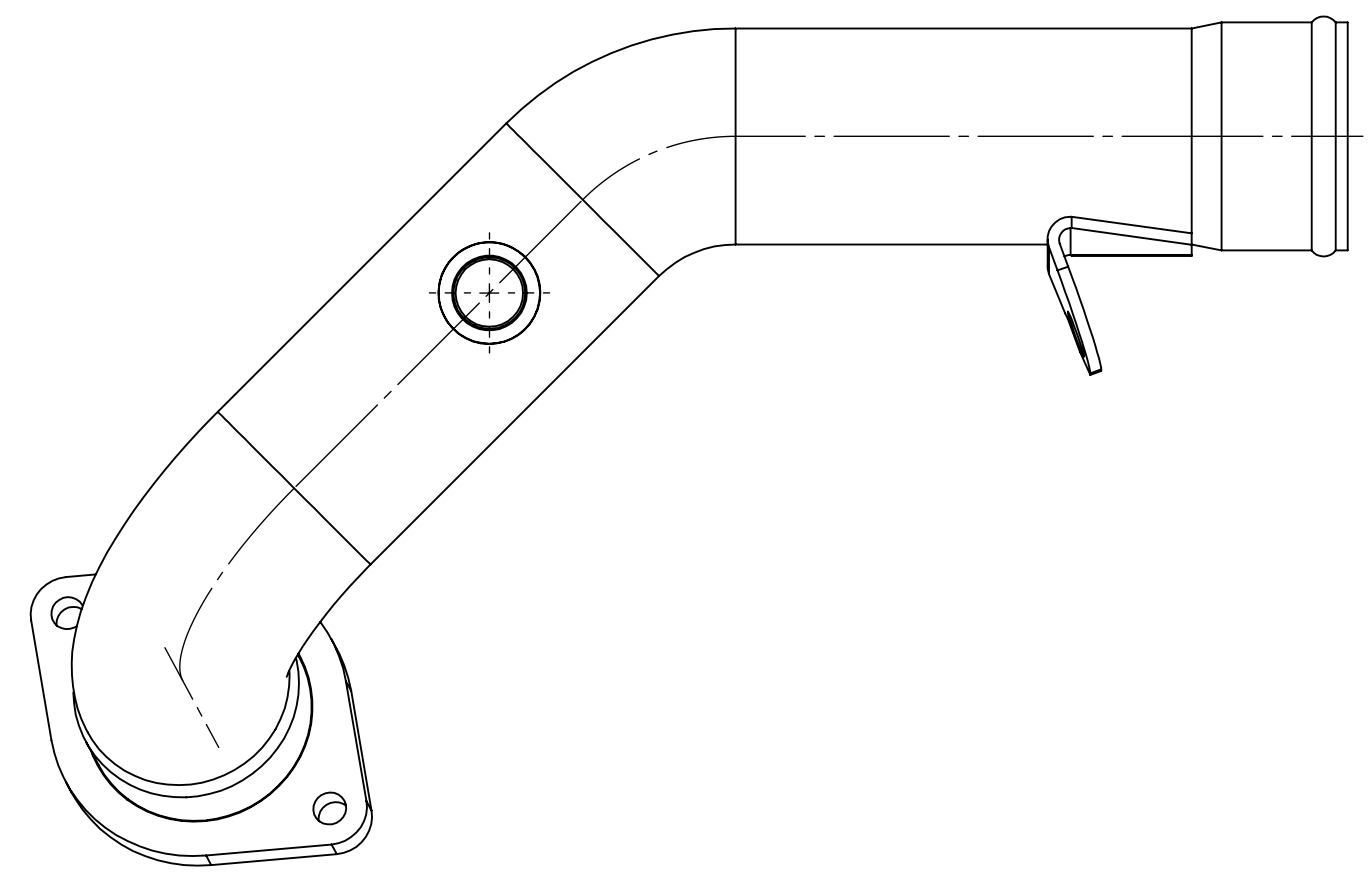
VIEW A



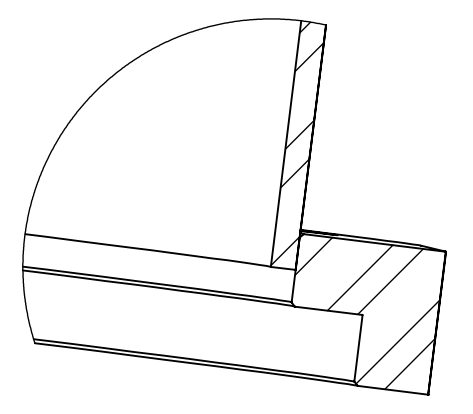
ISO VIEW



VIEW B



SECTION C-C



DETAIL D
SCALE 2 : 1

UNLESS OTHERWISE SPECIFIED: DIMENSIONS ARE IN MILLIMETERS				FINISH:		DEBURR AND BREAK SHARP EDGES		DO NOT SCALE DRAWING		REVISION	
SURFACE FINISH:								SOUTHPOINTE RADIATOR			
TOLERANCES:								TITLE: FLANGED LOWER COOLANT TUBE			
LINEAR:								DWG NO. 75-20437190-PDF A2			
ANGULAR:								SCALE:1:2			
DRAWN		NAME		SIGNATURE		DATE		MATERIAL:		SHEET 1 OF 1	
CHK'D								WEIGHT: 2.91			
APP'VD											
MFG											
Q.A											