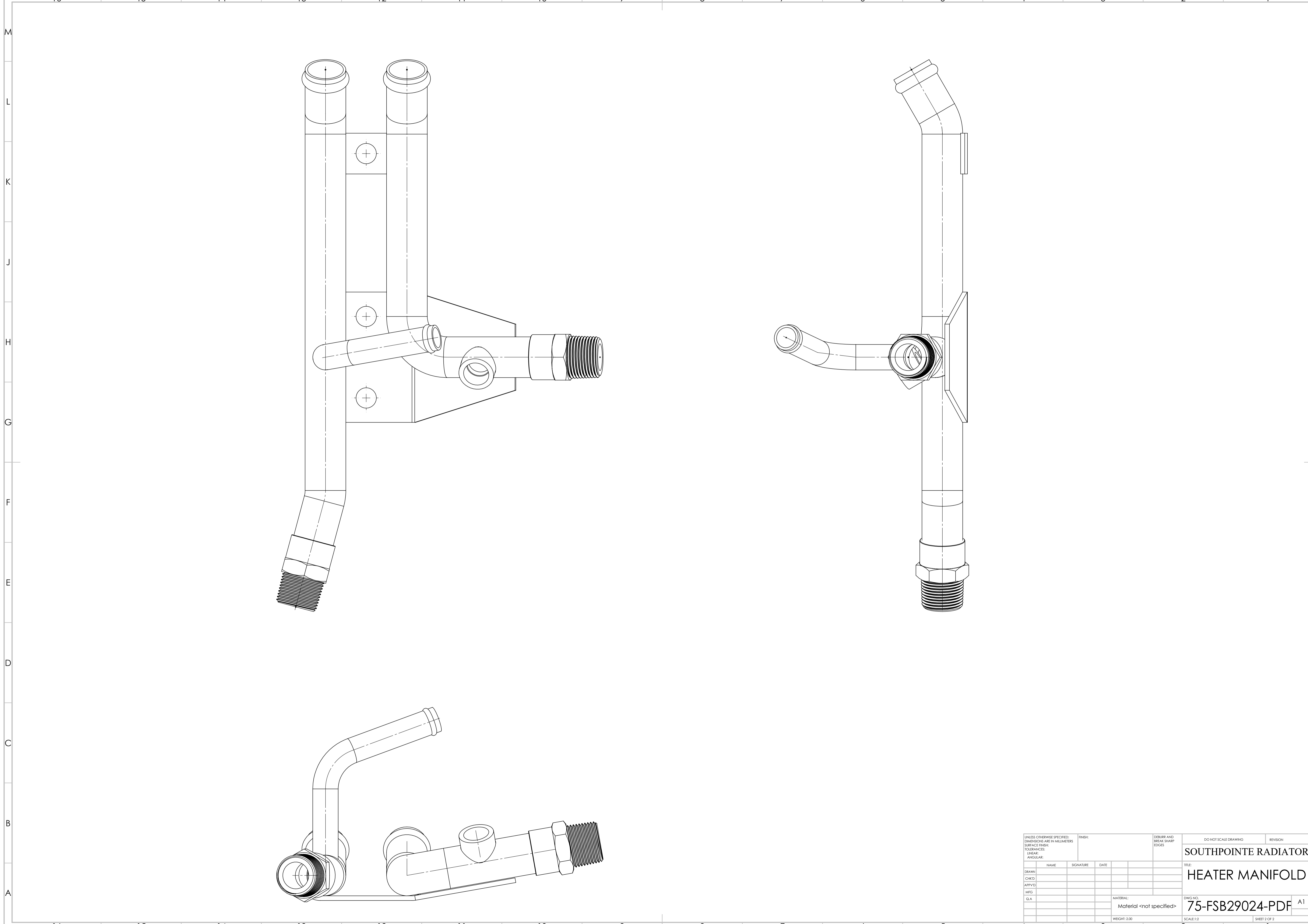


UNLESS OTHERWISE SPECIFIED: DIMENSIONS ARE IN MILLIMETERS		FINISH:	DEBURR AND BREAK SHARP EDGES		DO NOT SCALE DRAWING	REVISION
SURFACE FINISH:					SOUTHPOINTE RADIATOR	
TOLERANCES:					HEATER MANIFOLD	
LINEAR:					DWG NO. 75-FSB29024-PDF A1	
ANGULAR:					SCALE: 1:2 SHEET 1 OF 2	
NAME	SIGNATURE	DATE			MATERIAL: Material <not specified>	
DRAWN					WEIGHT: 2.00	
CHEK						
APPVD						
MFG						
Q.A.						



UNLESS OTHERWISE SPECIFIED: DIMENSIONS ARE IN MILLIMETERS		FINISH:	DEBURR AND BREAK SHARP EDGES		DO NOT SCALE DRAWING	REVISION
SURFACE FINISH:				TITLE:		
TOLERANCES:				SOUTHPOINTE RADIATOR		
LINEAR:				HEATER MANIFOLD		
ANGULAR:				DWG NO:		
DRAWN:	NAME	SIGNATURE	DATE	75-FSB29024-PDF		A1
CHKD:				MATERIAL:		
APPVD:				Material <not specified>		
MFG:				WEIGHT: 2.00		
Q.A.:				SCALE: 1:2		
						SHEET 2 OF 2