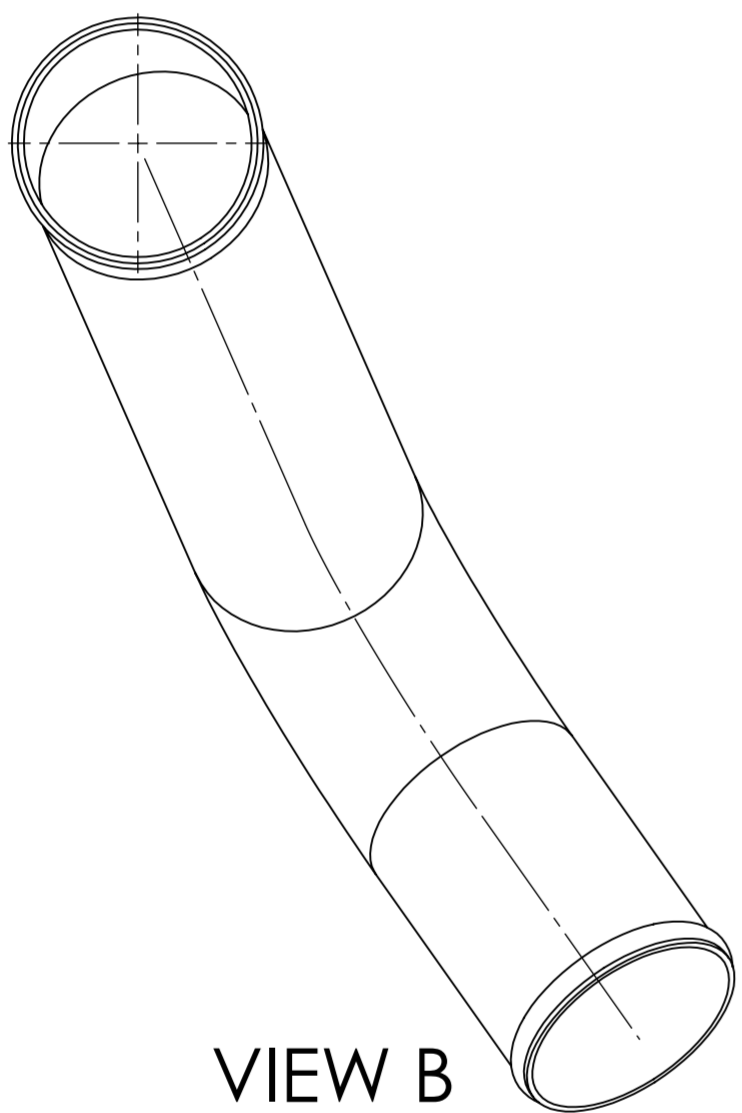
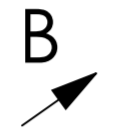
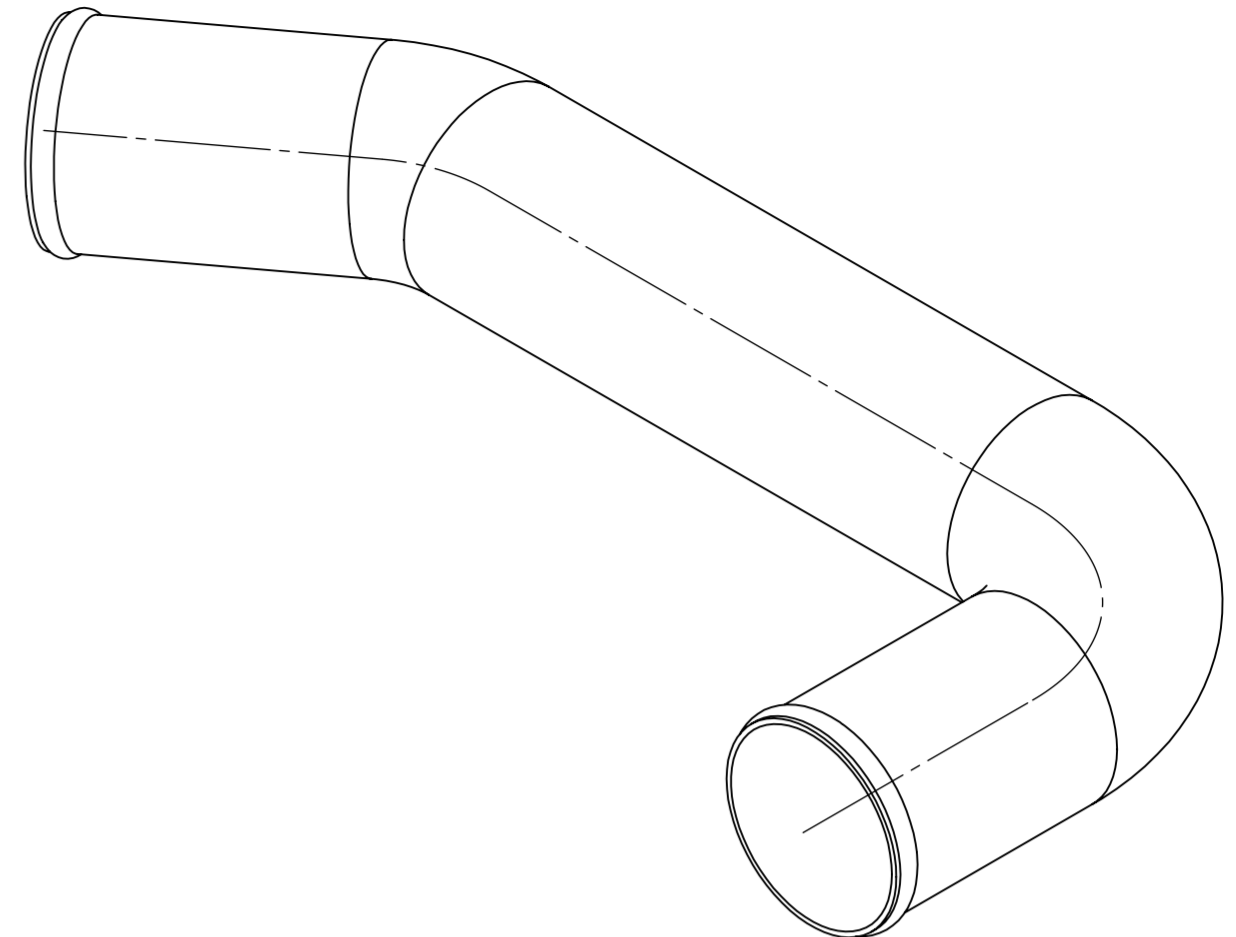
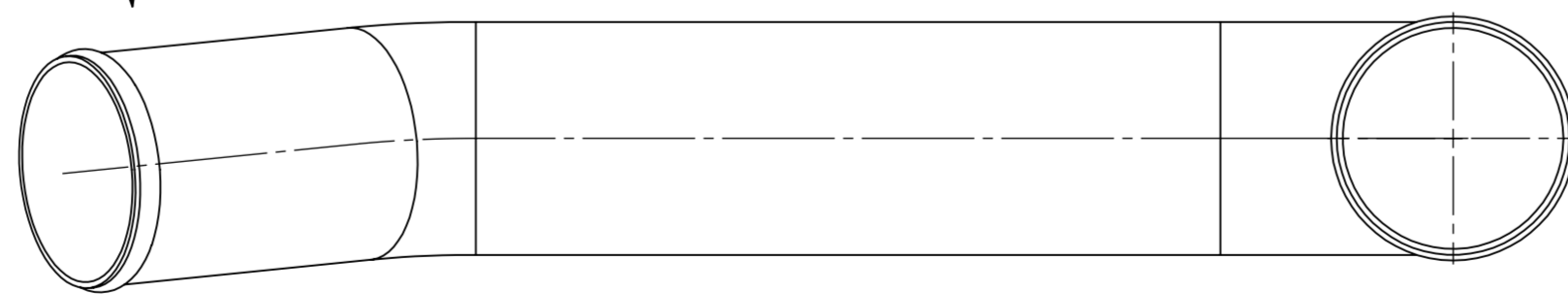
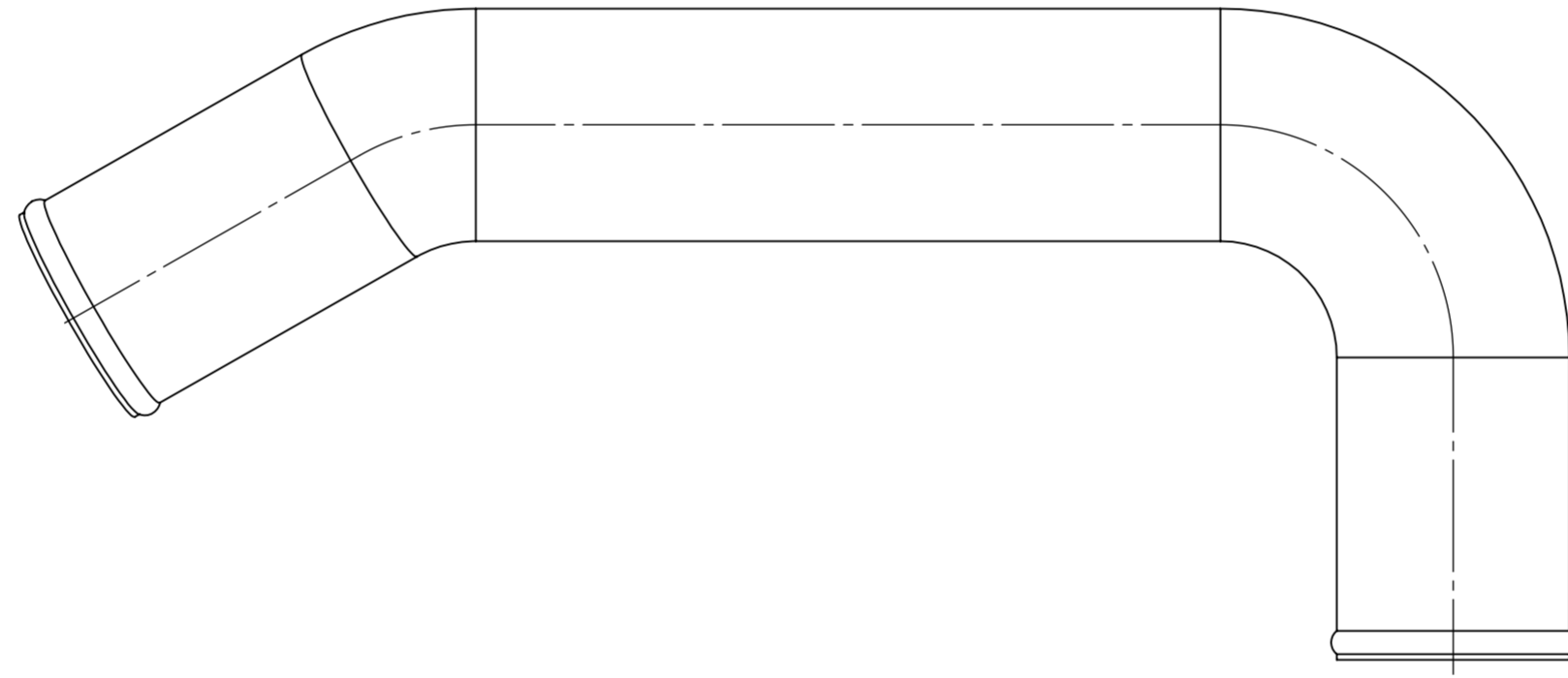


VIEW A



VIEW B



UNLESS OTHERWISE SPECIFIED: DIMENSIONS ARE IN MILLIMETERS			FINISH:		DEBURR AND BREAK SHARP EDGES		DO NOT SCALE DRAWING		REVISION	
SURFACE FINISH:							TITLE:		SOUTHPOINTE RADIATOR	
TOLERANCES:							DRAWN		COOLANT TUBE	
LINEAR:							CHK'D			
ANGULAR:							APPV'D			
							MFG			
							Q.A.			
							MATERIAL:		AISI 304	
							DWG NO.		75-KW1599-PDF	
							SCALE:1:2		SHEET 1 OF 1	
							WEIGHT: 2.92		A2	