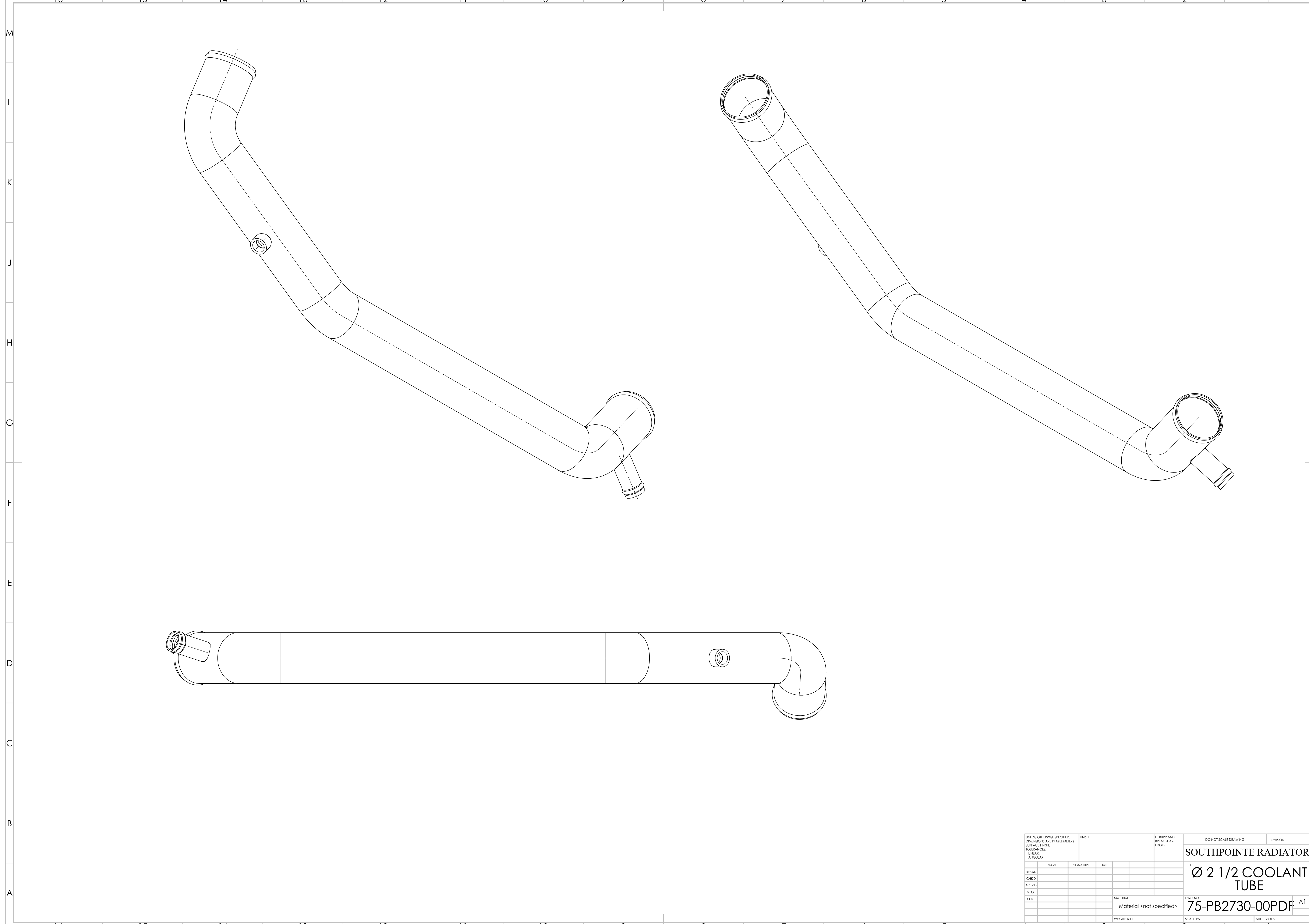


VIEW A
SCALE 1 : 2

VIEW B
SCALE 1 : 2

UNLESS OTHERWISE SPECIFIED: DIMENSIONS ARE IN MILLIMETERS		FINISH:	DEBURR AND BREAK SHARP EDGES	DO NOT SCALE DRAWING	REVISION
SURFACE FINISH:					
TOLERANCES:					
LINEAR:					
ANGULAR:					
NAME	SIGNATURE	DATE			
DRAWN					
CHEK					
APPV					
MFG					
Q.A.					
MATERIAL:					
Material <not specified>					
WEIGHT: 5.11					
TITLE:				SOUTHPOINTE RADIATOR	
Ø 2 1/2 COOLANT TUBE					
DWG NO:				75-PB2730-00PDF A1	
SCALE: 1:5				SHEET 1 OF 2	



UNLESS OTHERWISE SPECIFIED: DIMENSIONS ARE IN MILLIMETERS		FINISH:	DEBURR AND BREAK SHARP EDGES		DO NOT SCALE DRAWING	REVISION
SURFACE FINISH:				TITLE:		
TOLERANCES:				Ø 2 1/2 COOLANT TUBE		
LINEAR:				DWG NO:		A1
ANGULAR:				75-PB2730-00PDF		
DRAWN:	NAME	SIGNATURE	DATE		MATERIAL:	
CHKD:					Material <not specified>	
APPVD:						
MFG:						
Q.A.						
					WEIGHT: 5.11	
					SCALE: 1:5	SHEET 2 OF 2