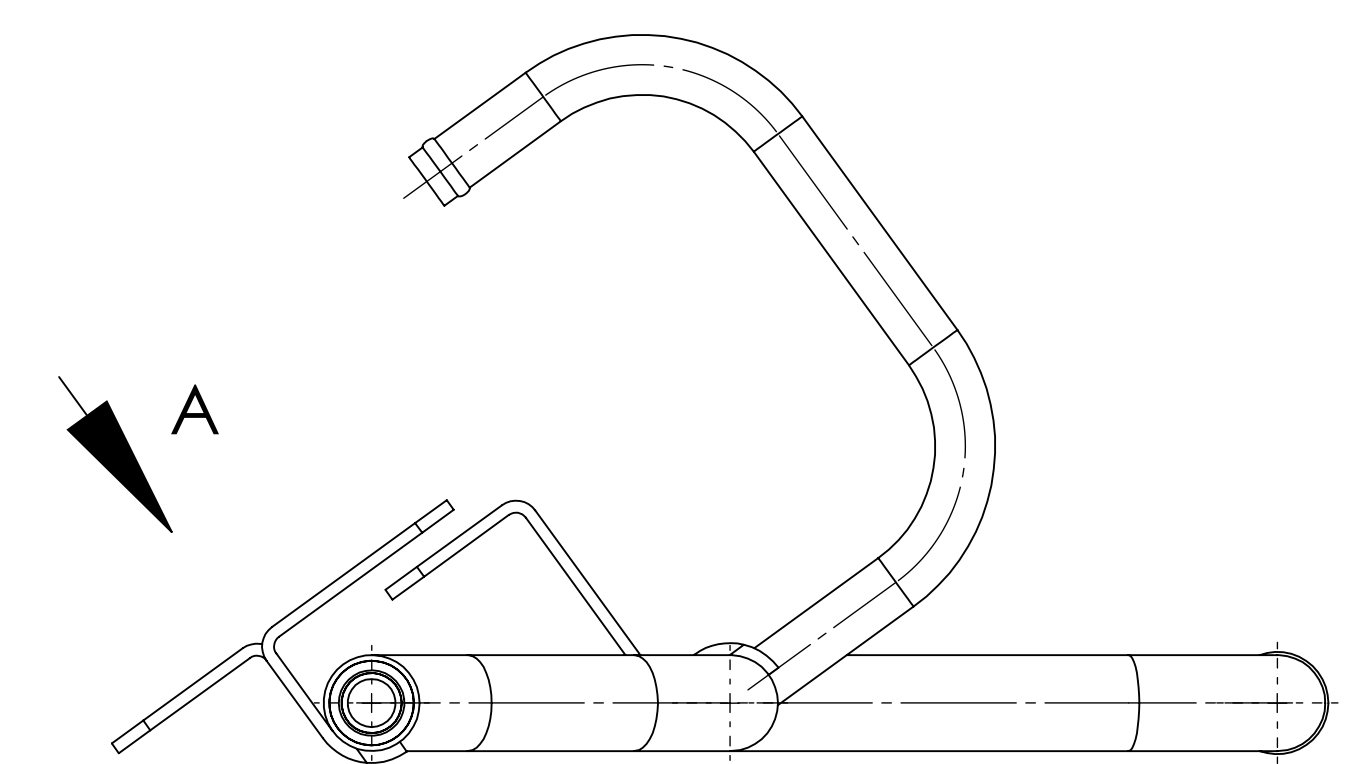
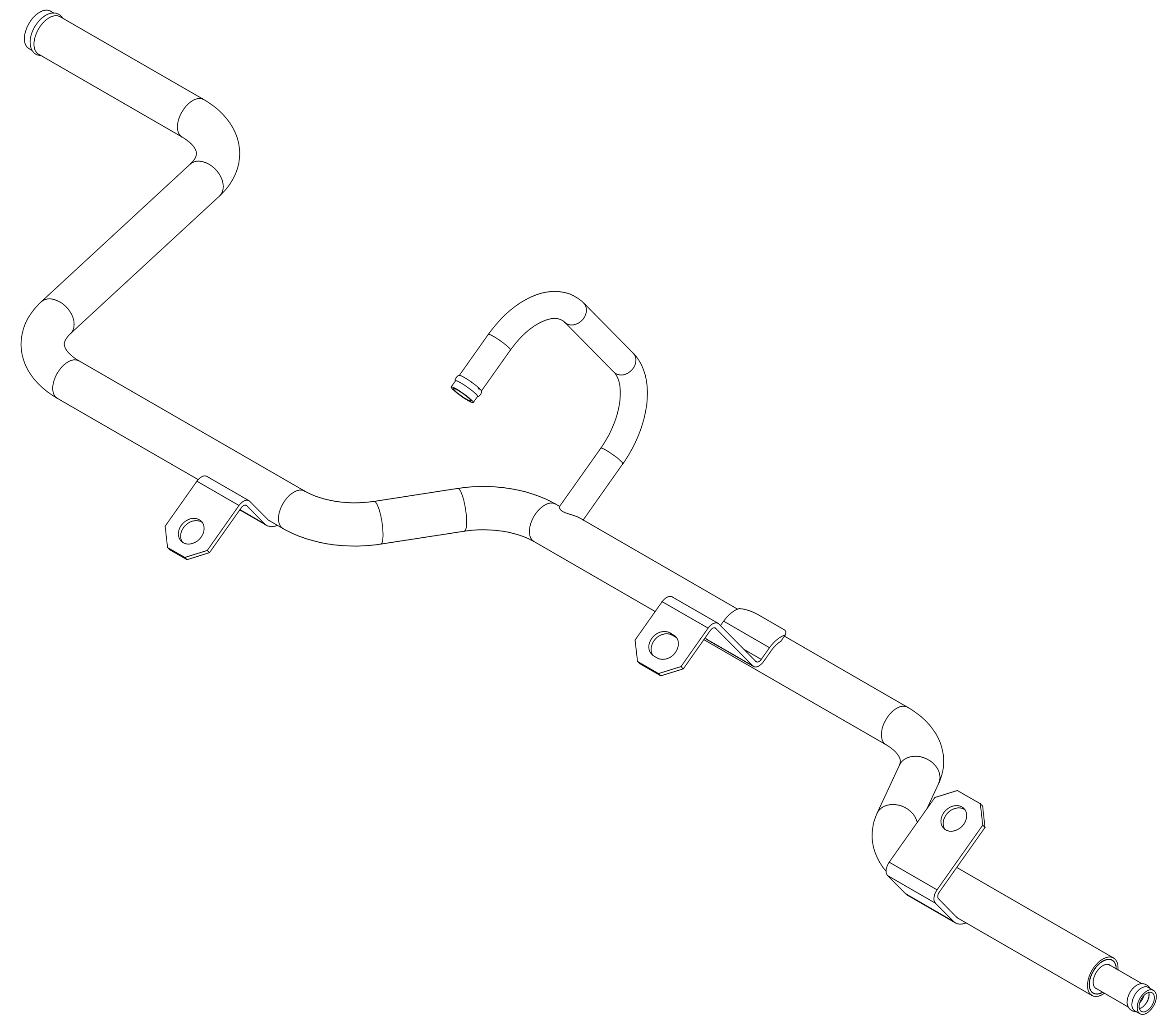


VIEW A  
 54.00°  
 SCALE 1 : 2



DRÄGER CAD APPROV INFO S.A.		NAME SCHWABE DATE	TYP DATE	LIBRARY AND DRAWING NUMBER TITLE <b>HEATER RETURN LINE</b>	REVISION NO. DATE BY
MATERIAL: Material not specified			DRAWING NO. <b>75-KW1042-121-WS<sup>A0</sup></b>	SCALE 1:2	SHEET OF 1