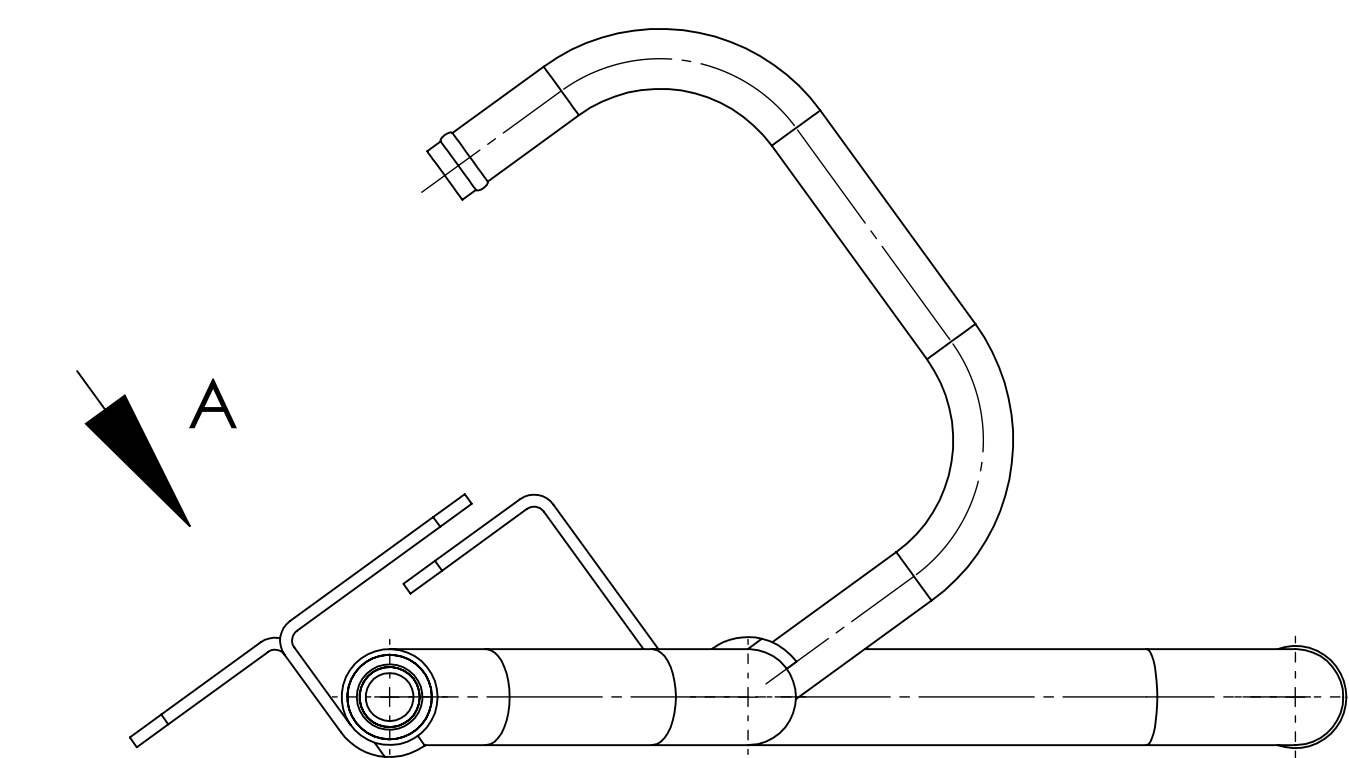
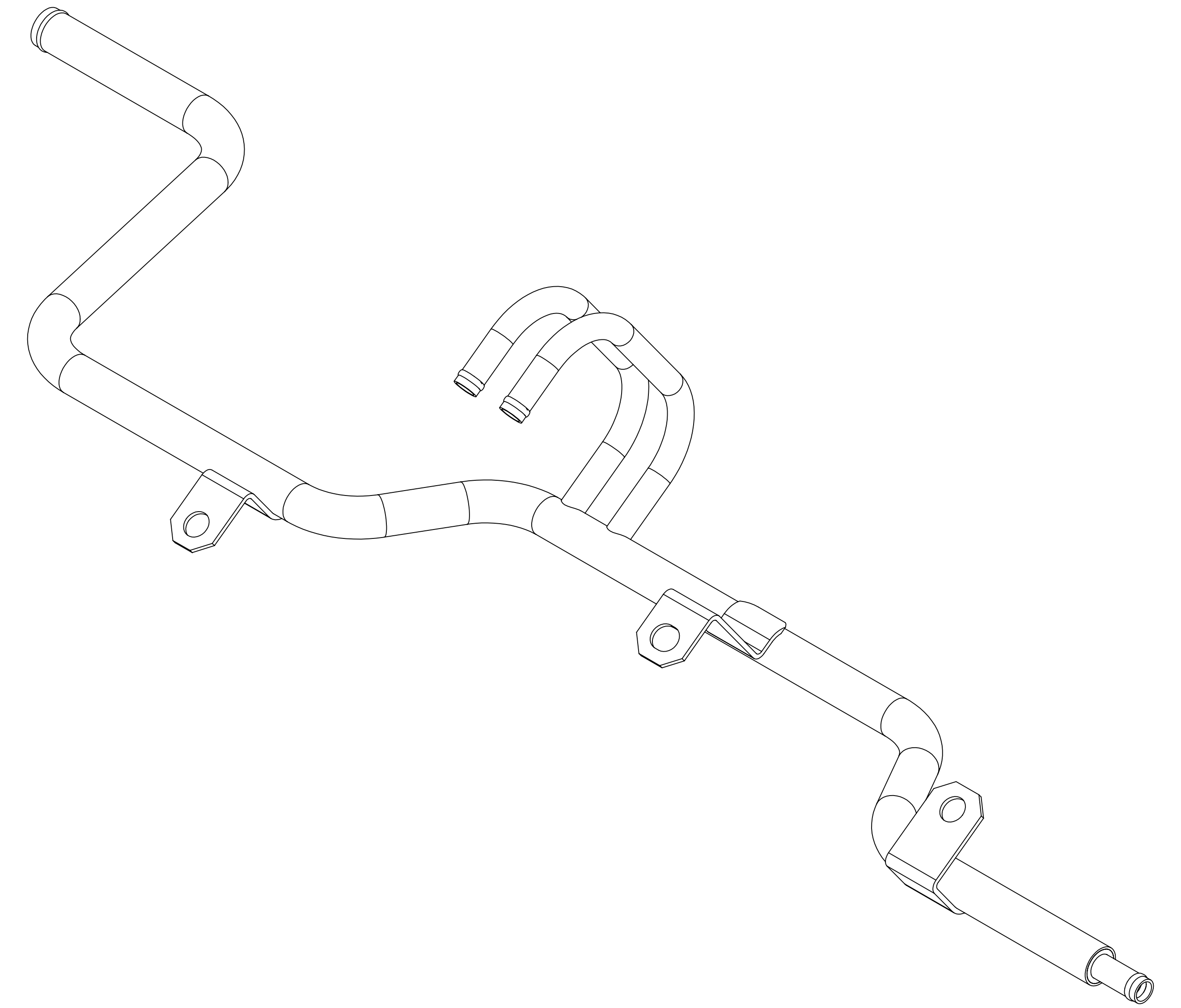


VIEW A
 54.00°
 SCALE 1 : 2



NAME: DRINGWIS (PROMER) DRINGWIS ARE IN ALLIANCE SPECIFIC PARTS DRAWING		PART:	LIBRARY AND DRAWING SHEET TITLE	TECHNISCHE BEWERTUNG	REVISION
DRINGWIS CAD APPROV INFO S.A.	NAME:	DATE:	MATERIAL:	DRAWING NO: 75-KW1042-141-WS^{AD}	SCALE:
			WEIGHT: 422	SHEET 1 OF 1	