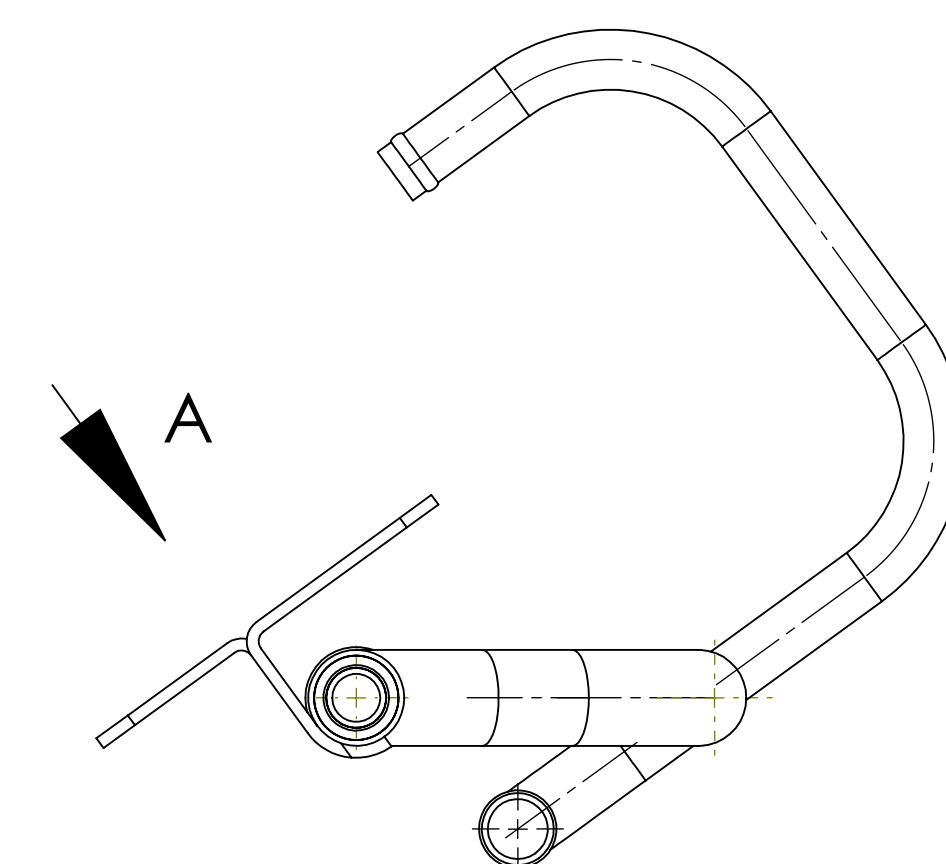
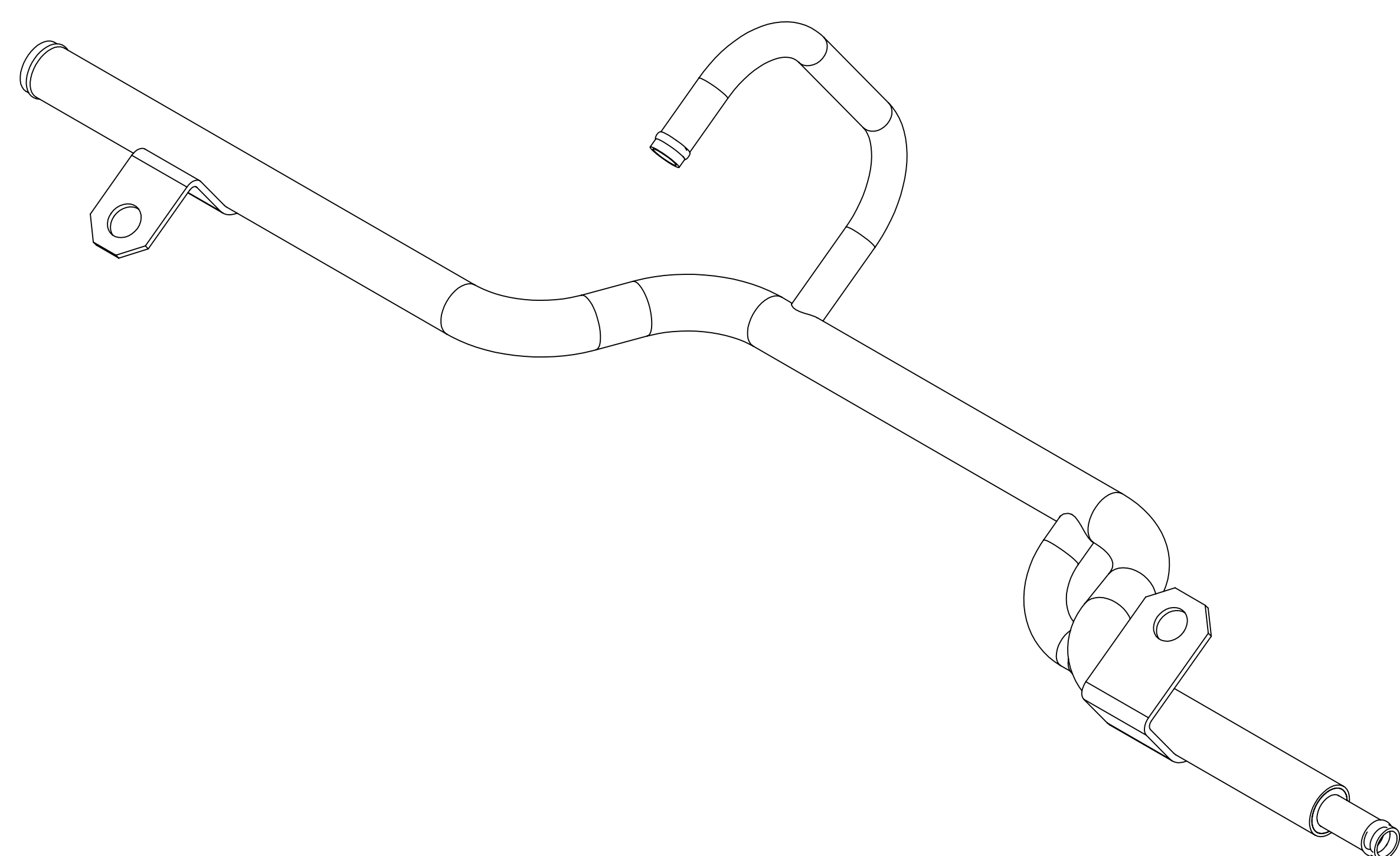
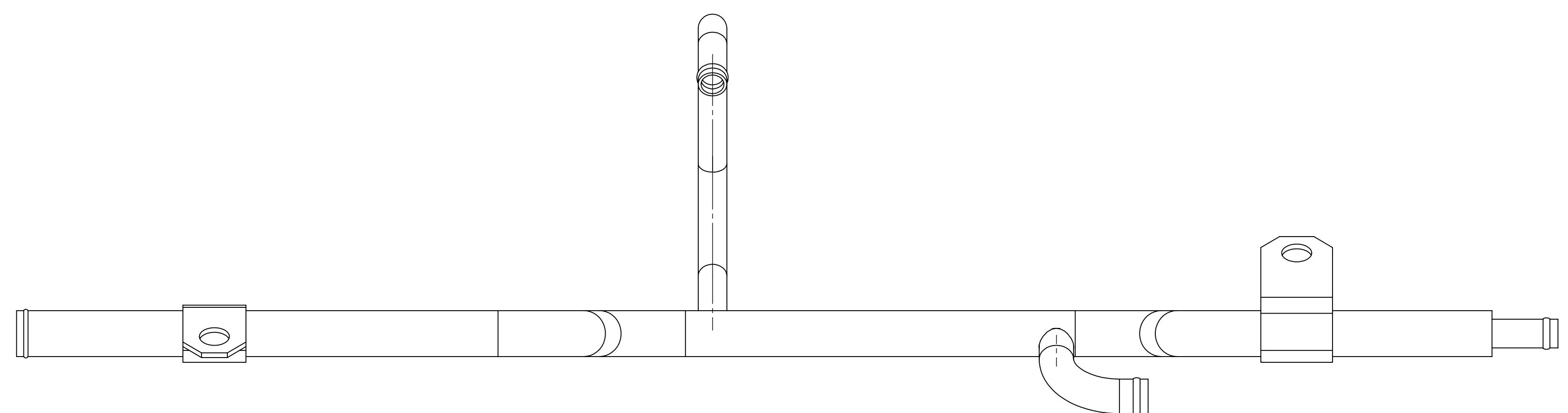
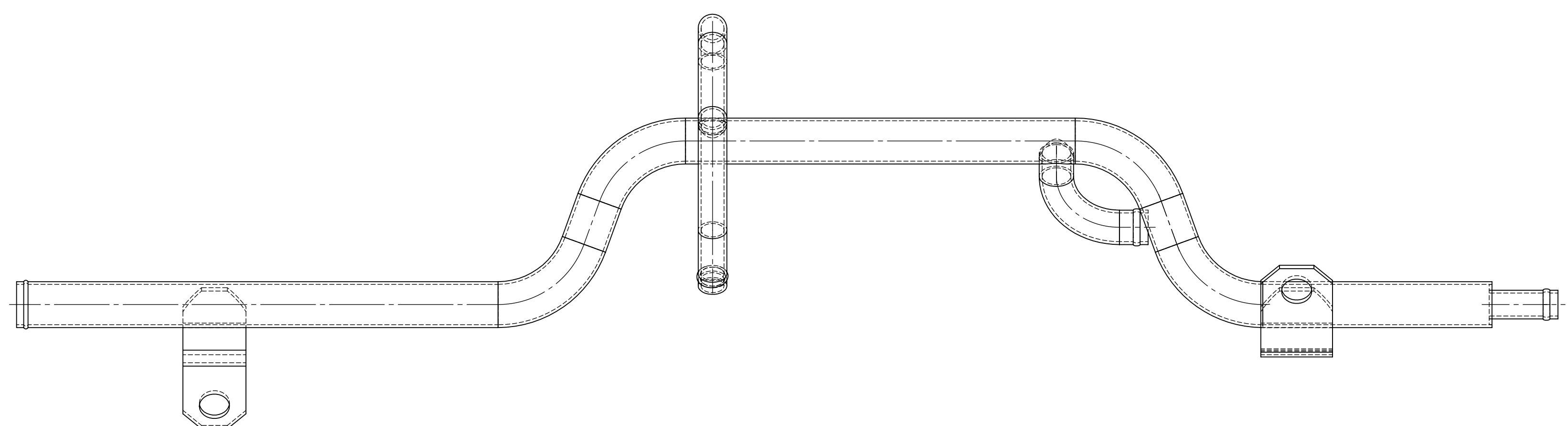


VIEW A
 ⤴ 54.00°
 SCALE 1 : 2



<small> UNITS: DIMENSIONS (PRELIM) DIMENSIONS ARE IN MILLIMETERS DECIMAL FRACTIONS DRAWING ANGLE: </small>			<small> PART: </small>	<small> LIBRARY AND DRAW NUMBER TITLE </small>	<small> SCHNITTZEICHENBEGRIFF REVISION </small>
<small> DRAWN DATE APPROV INFO S.I.A. </small>	<small> NAME SCHAUERE DATE </small>	<small> DATE </small>	<small> MATERIAL: </small>	<small> NUMBER SCALE </small>	<small> SHEET OF 1 </small>
				HEATER RETURN LINE 75-KW1050-111-WS ^{A0}	