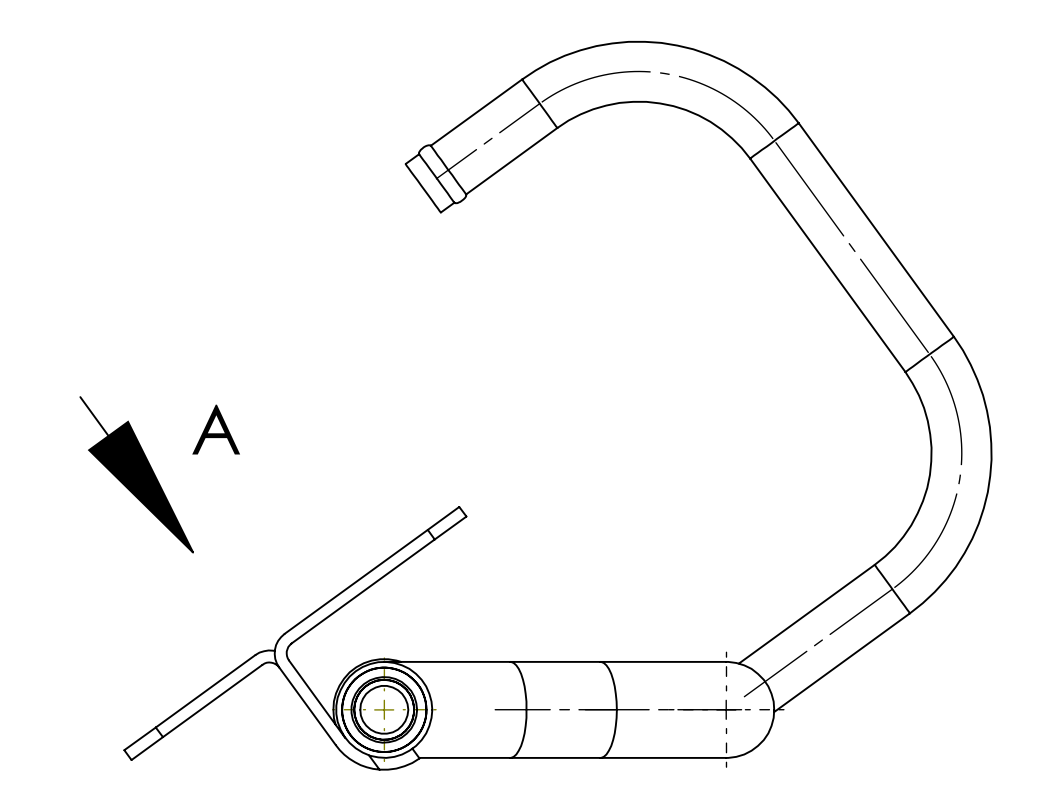
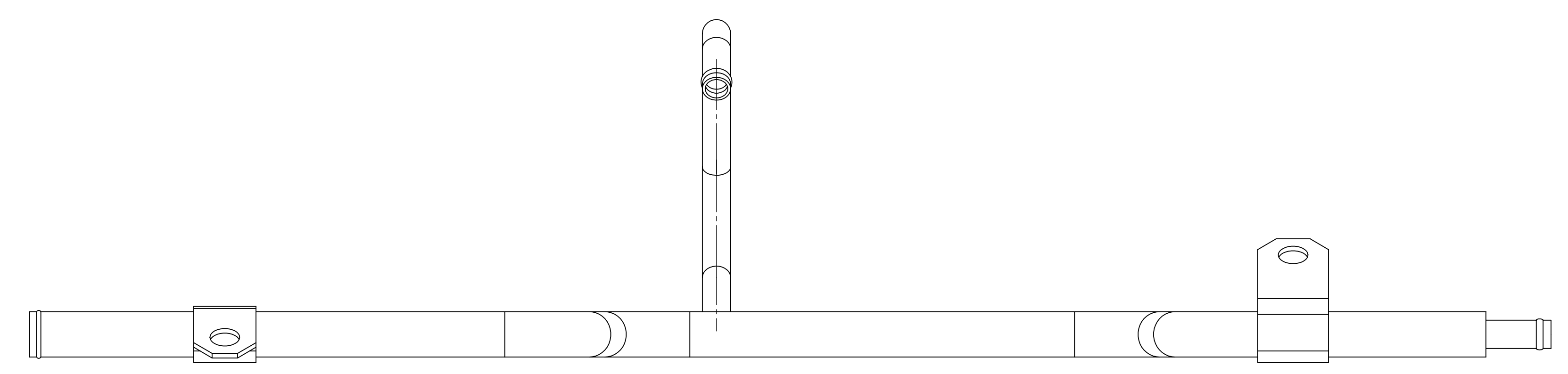
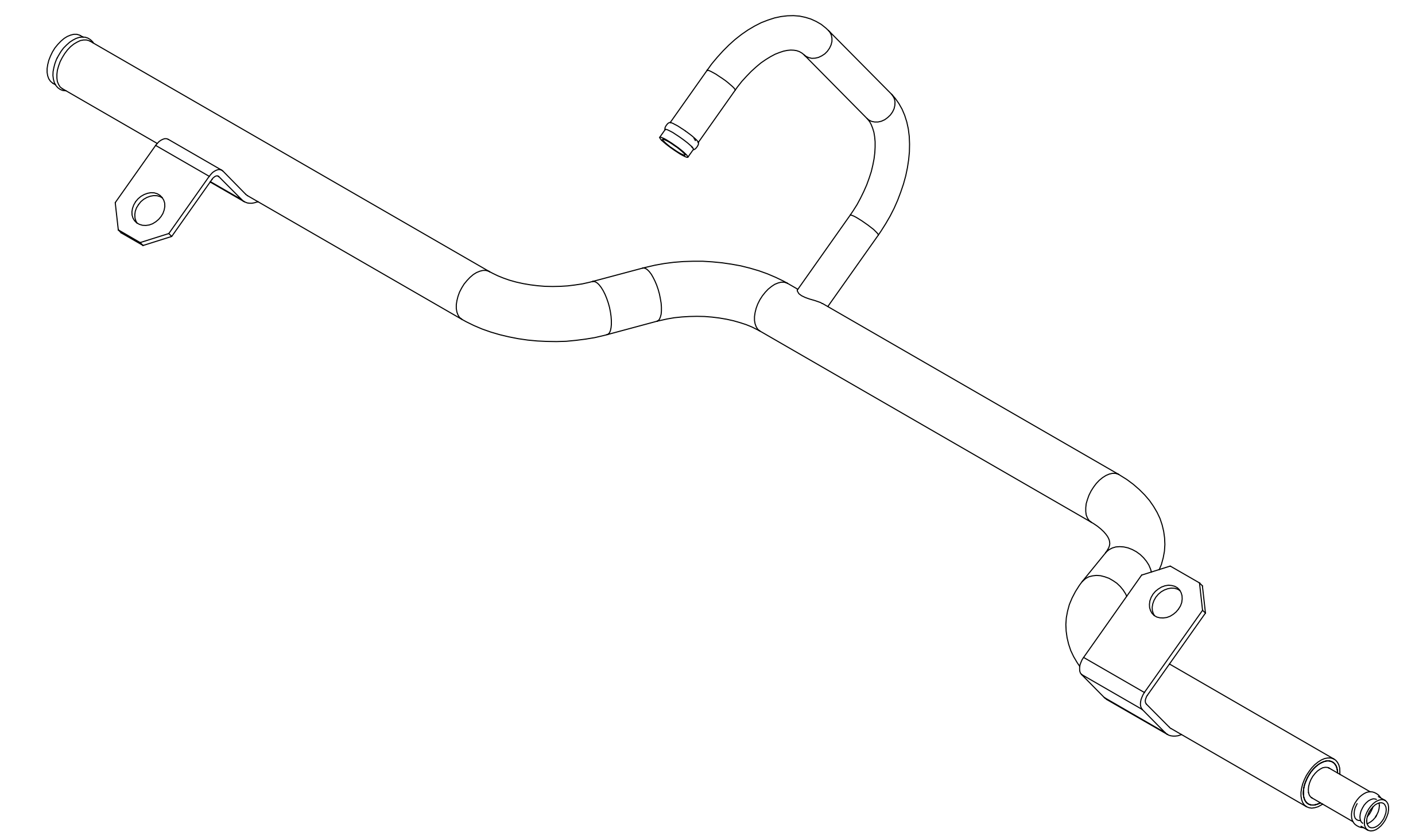
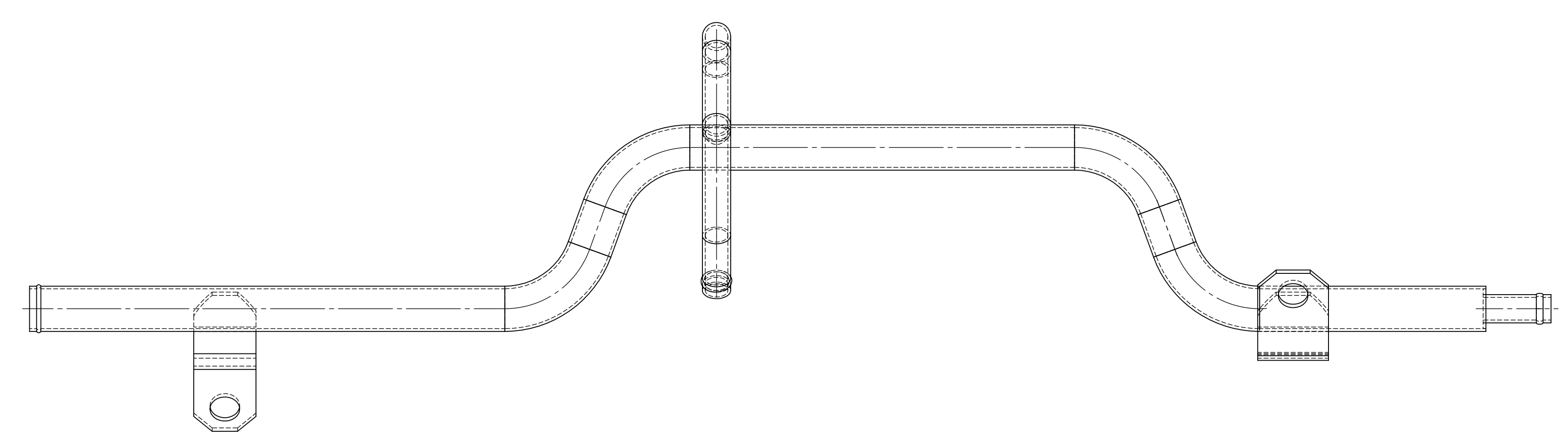


VIEW A
 54.00°
 SCALE 1 : 2



NAME: DRINKING WATER DIMENSIONS ARE IN MILLIMETERS SPECIFIC FINISH: DRAWING:			PART:			LEGEND AND OTHER SHARP NOTES:			TECHNICAL DRAWING REVISION:		
DRAWN: CAD: APPROV: INFO: S.A.	NAME: SCHAUER	DATE:	TITLE:	HEATER RETURN LINE	PROJECT:	75-KW1050-221-WS ^{AD}	SCALE:	SHEET OF:	2	OF:	1