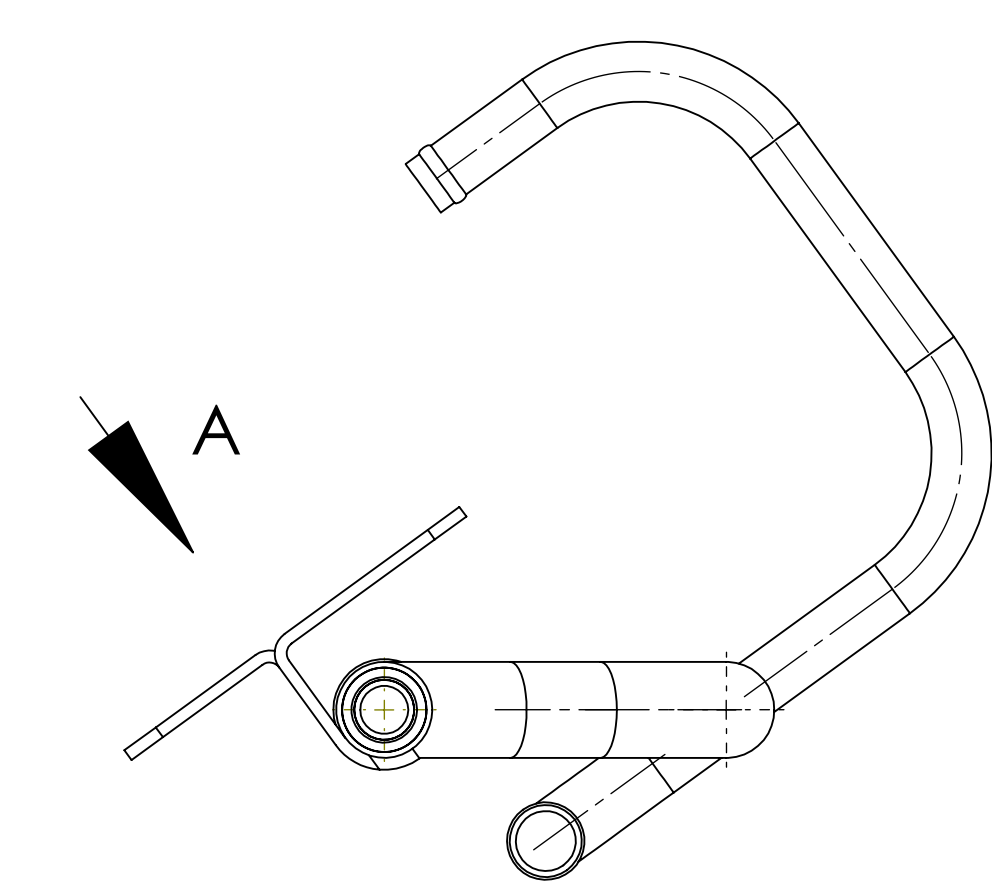
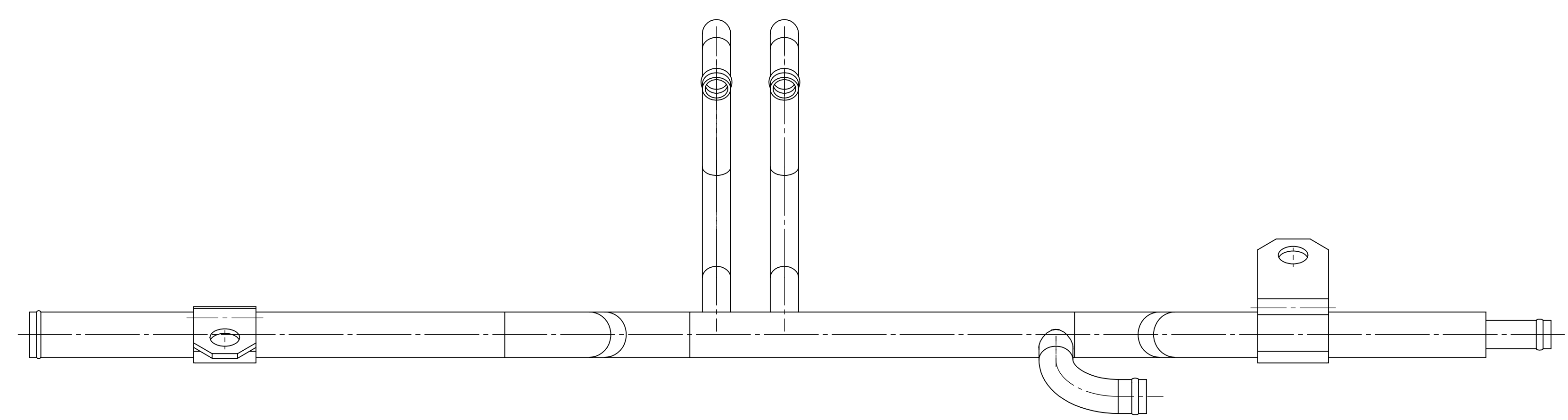
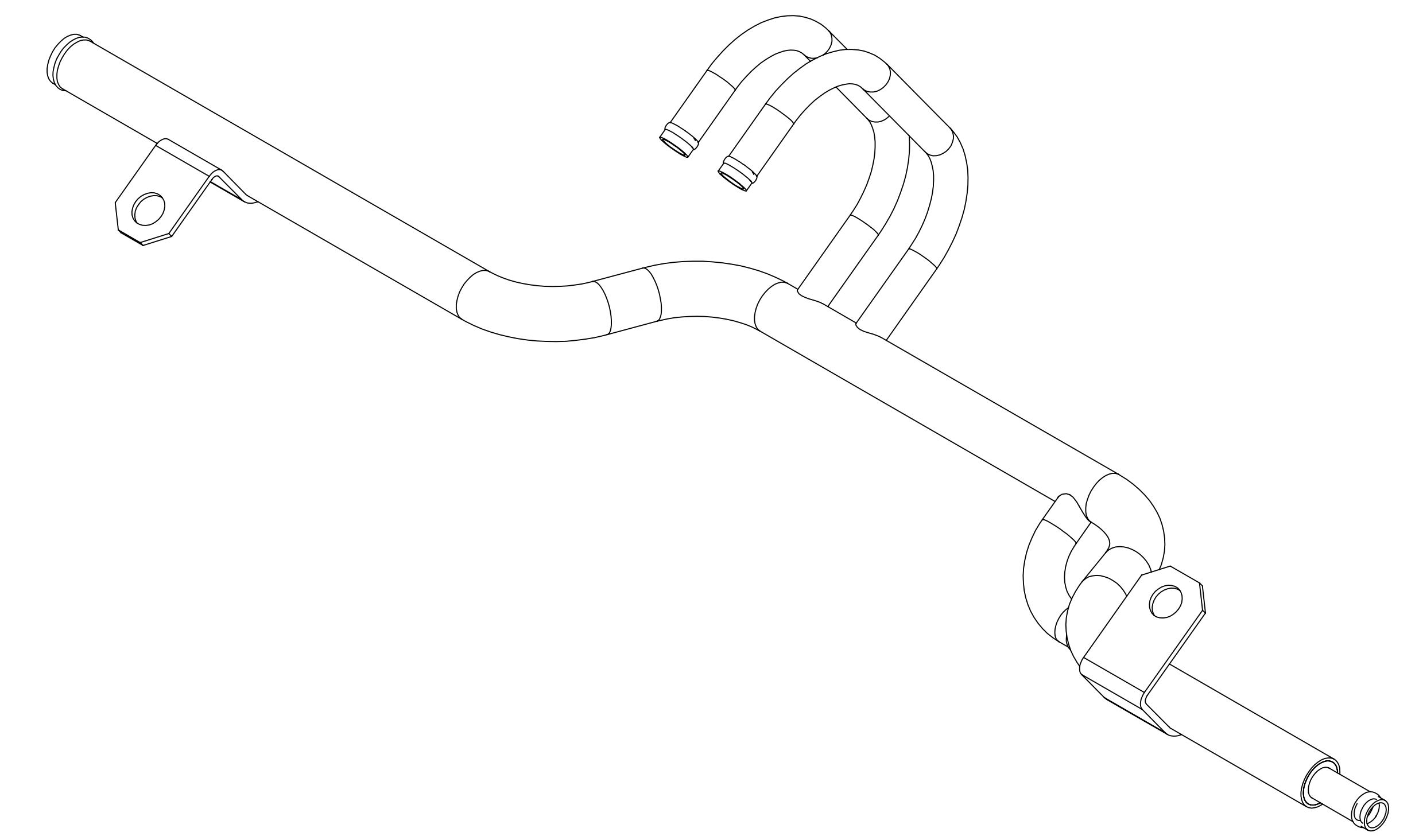
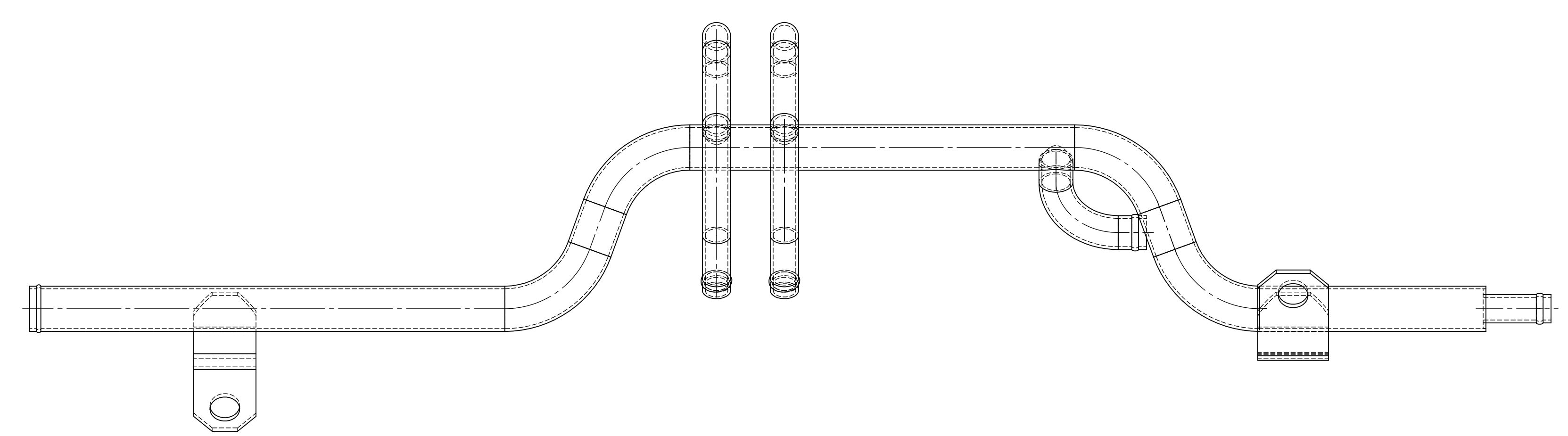


VIEW A
 54.00°
 SCALE 1 : 2



NAME: DRINGWALD, PETER DIMENSIONS ARE IN MILLIMETERS SPECIFIC FINISH: DRAWING:			PART:	LIBRARY AND DRAWING SHEET TITLE:	TECHNICAL DRAWING REVISION:
DRAWN: CVD: APPROV: INFO: G.A.	NAME: SCHAUER	DATE:	DATE:	MATERIAL: Material <not specified>	SHEET NO.: 75-PB1050-131-WS ^{A0} SCALE: SHEET OF 1