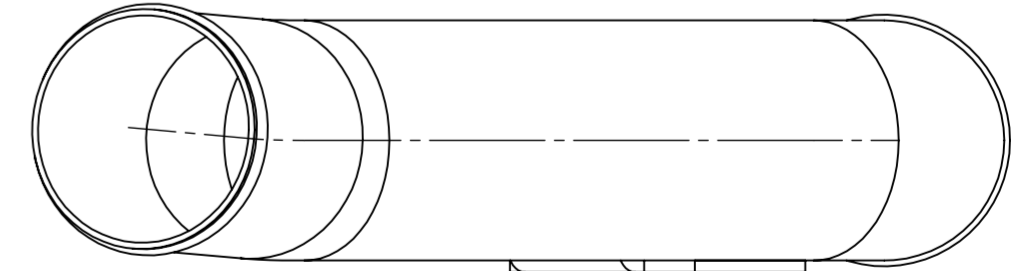
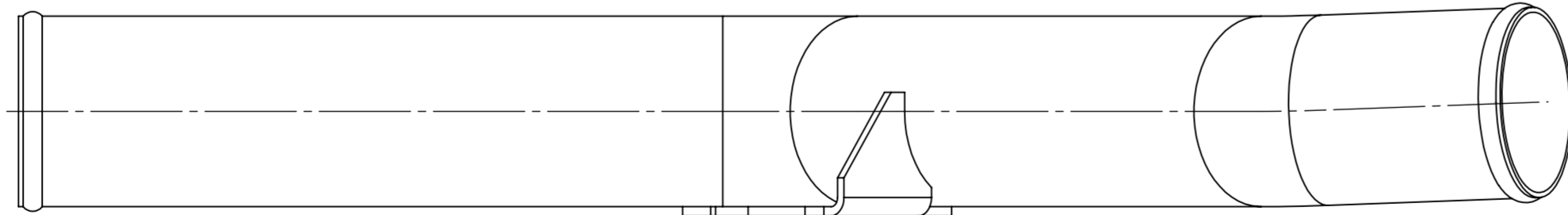
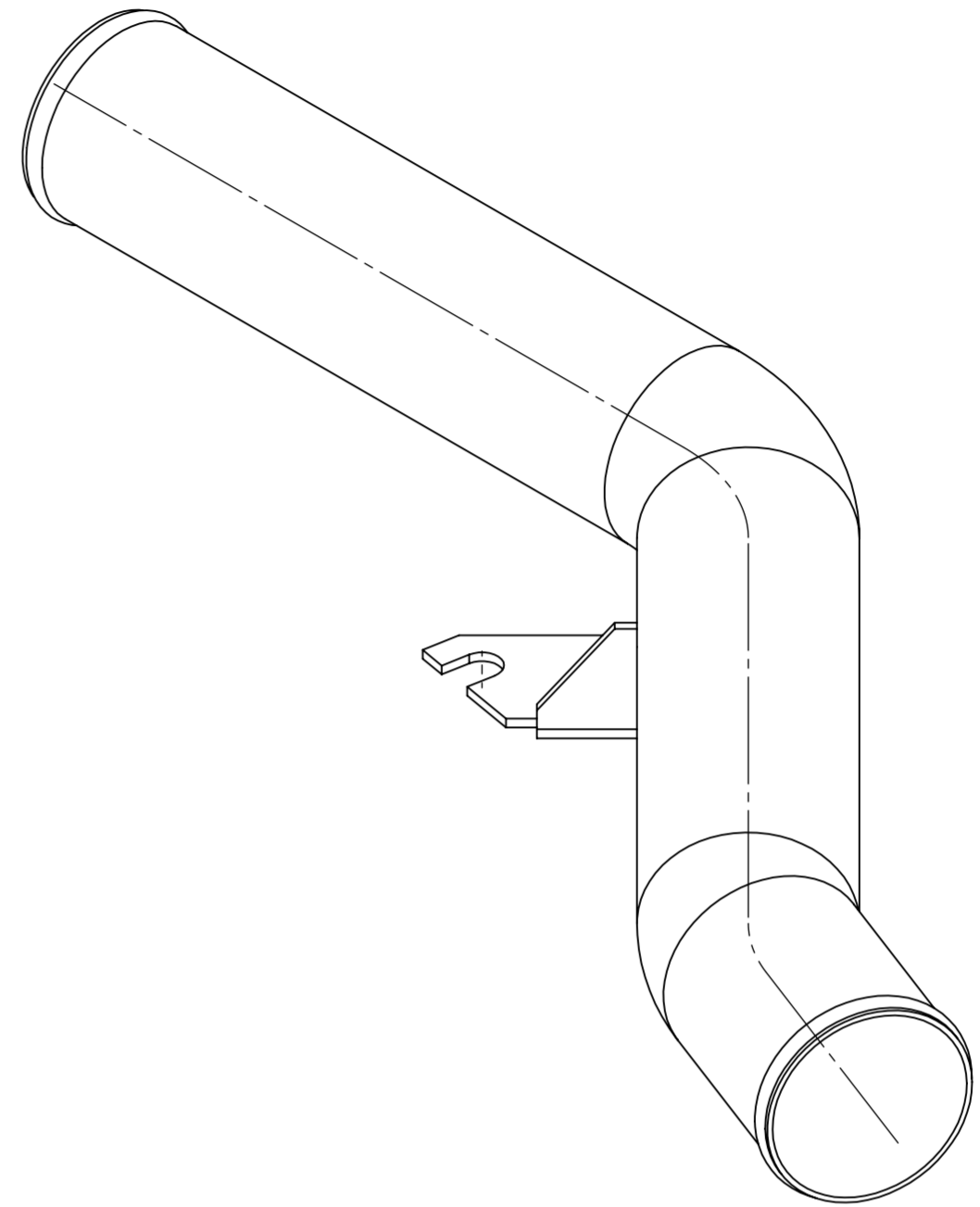
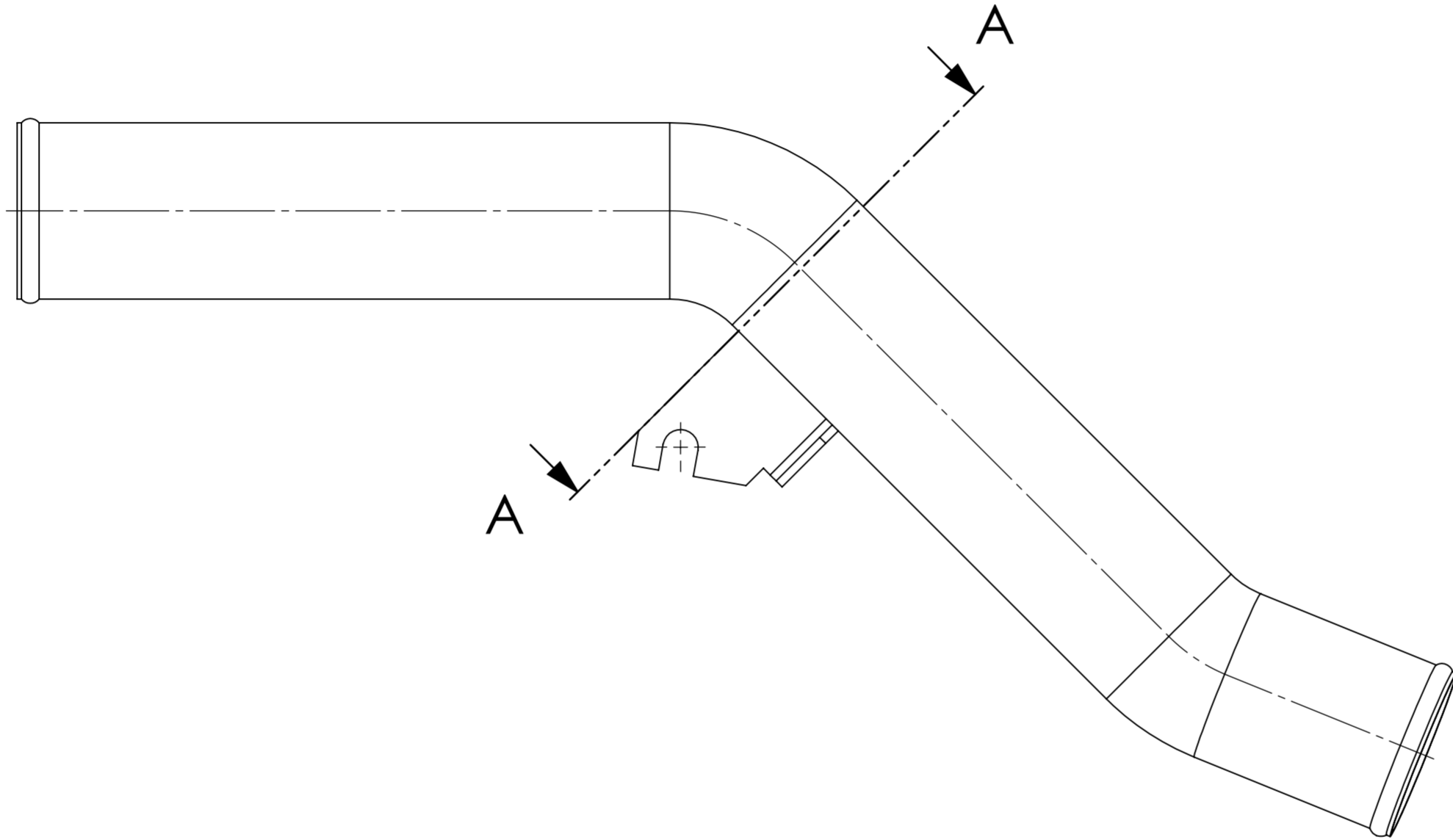


SECTION A-A  
SCALE 1 : 2



UNLESS OTHERWISE SPECIFIED: DIMENSIONS ARE IN MILLIMETERS				FINISH:		DEBURR AND BREAK SHARP EDGES		DO NOT SCALE DRAWING		REVISION	
SURFACE FINISH:								TITLE: <b>SOUTHPOINTE RADIATOR</b>			
TOLERANCES: LINEAR:								LOWER COOLANT TUBE ASSY			
ANGULAR:								DWG NO. <b>75-FLD25509-PDF</b> A2			
DRAWN		NAME		SIGNATURE		DATE		MATERIAL:		SCALE:1:5	
CHK'D								WEIGHT: 3.55		SHEET 1 OF 1	
APPV'D											
MFG											
Q.A											