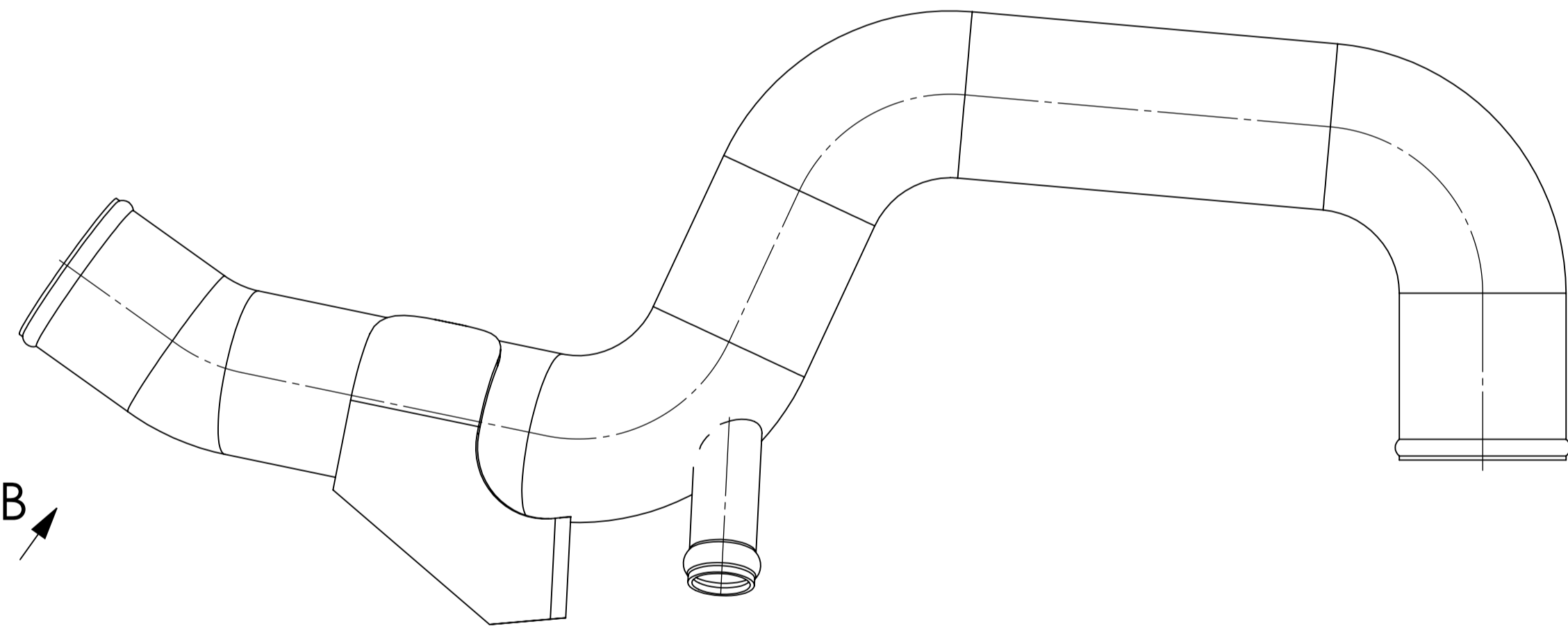
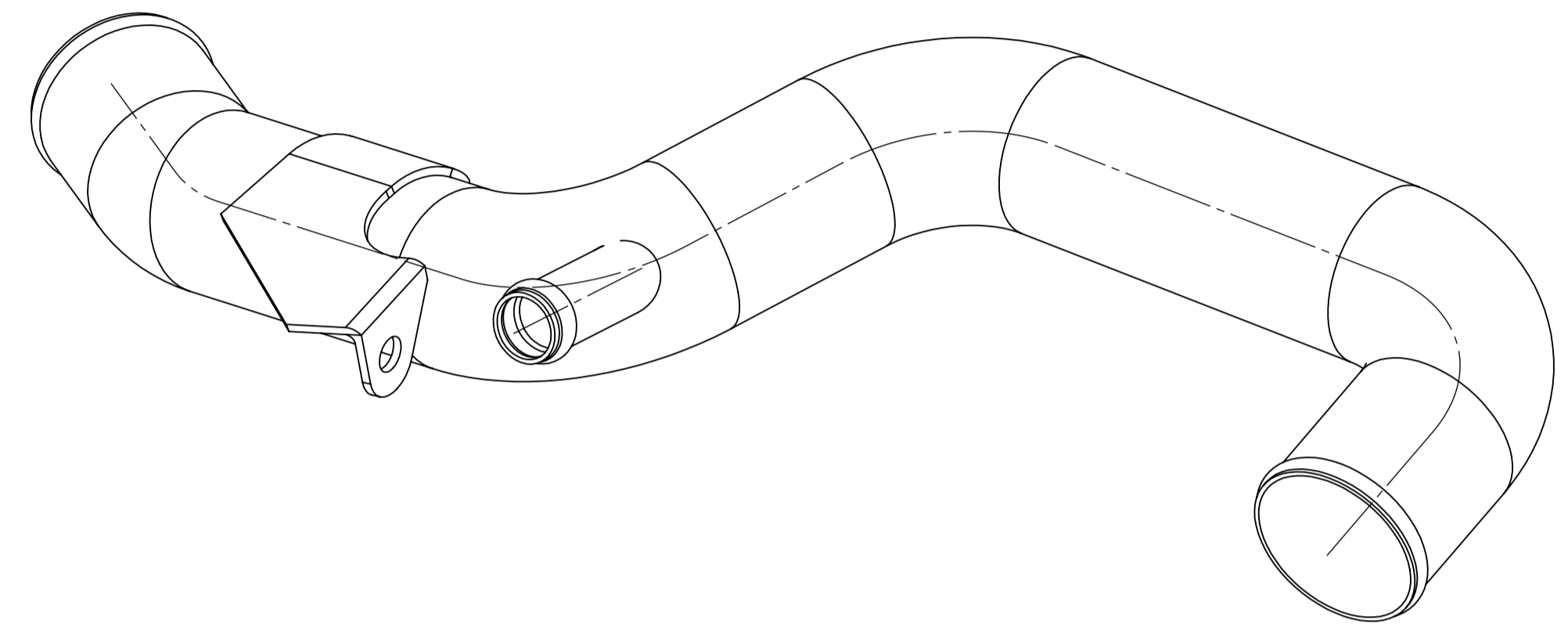
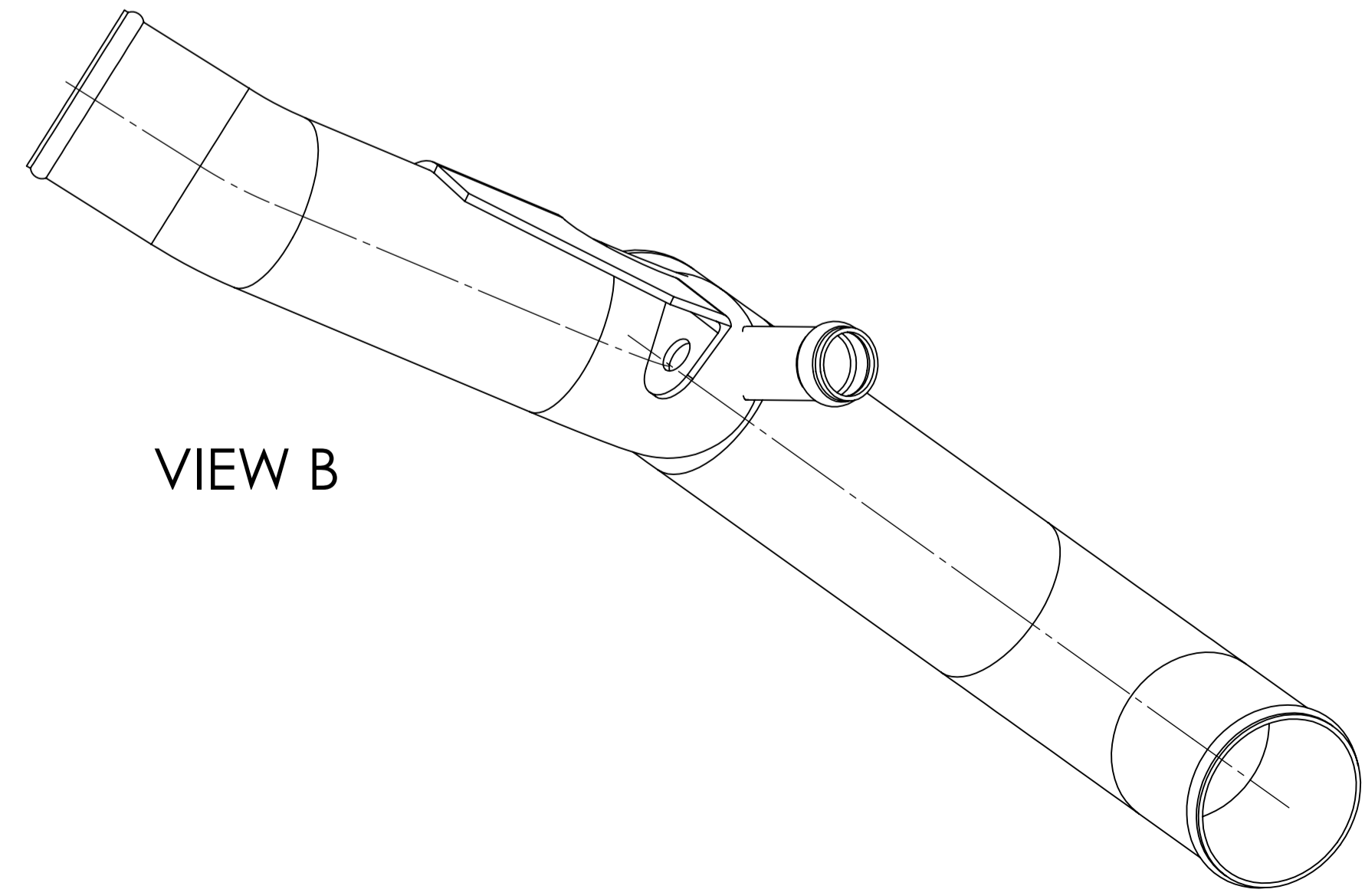


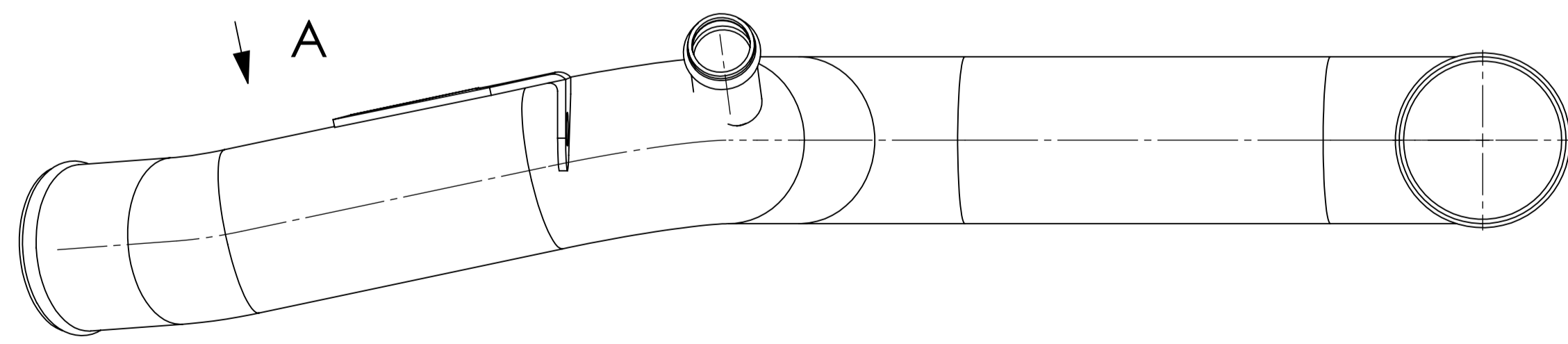
VIEW A



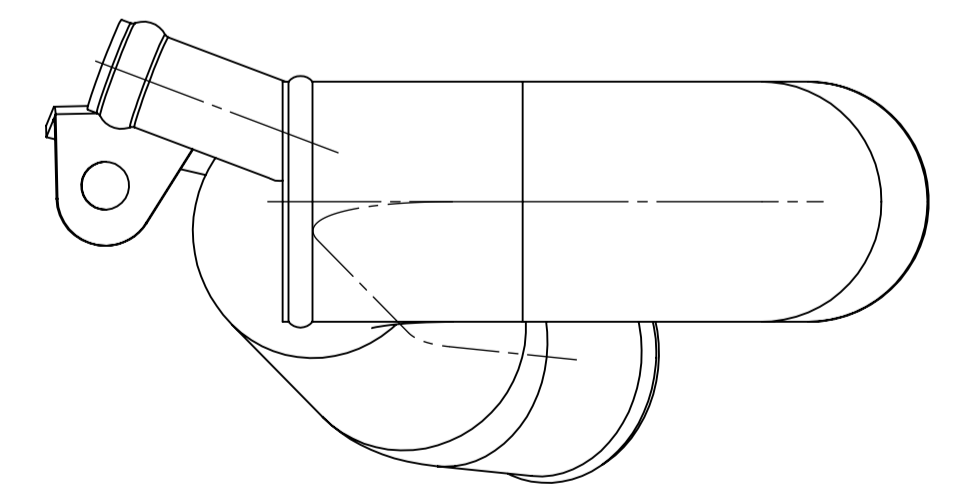
B



VIEW B



A



UNLESS OTHERWISE SPECIFIED: DIMENSIONS ARE IN MILLIMETERS		FINISH:	DEBURR AND BREAK SHARP EDGES		DO NOT SCALE DRAWING	REVISION
SURFACE FINISH:				TITLE:		
TOLERANCES:				SOUTHPOINTE RADIATOR		
LINEAR:				COOLANT TUBE		
ANGULAR:				ASSEMBLY		
DRAWN:	NAME	SIGNATURE	DATE		DWG NO:	
CHEK:					75-FLD28927-PDF	A1
APPV:					SCALE: 1:2	
MFG:					WEIGHT: 4.66	SHEET 1 OF 1
Q.A.						