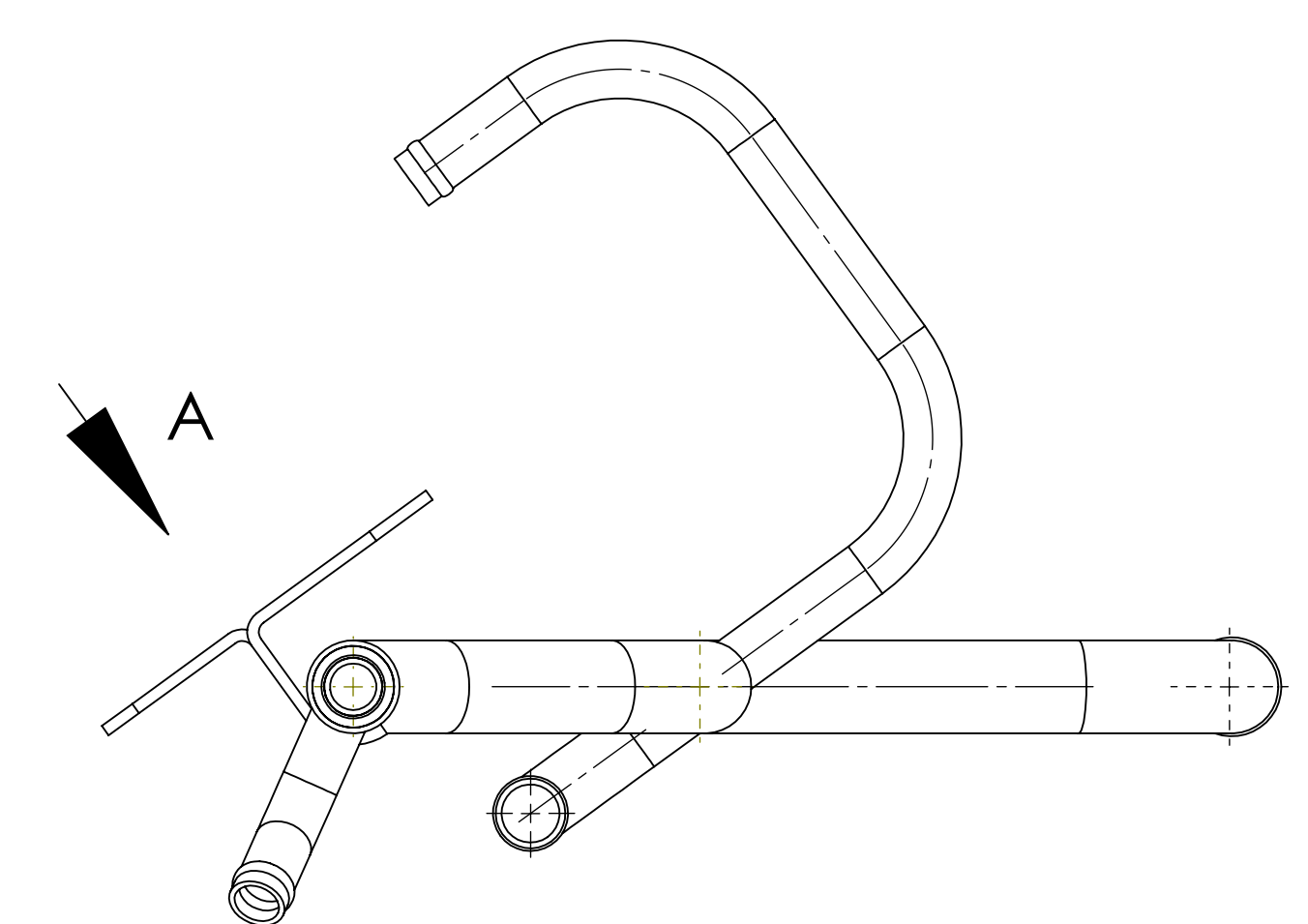
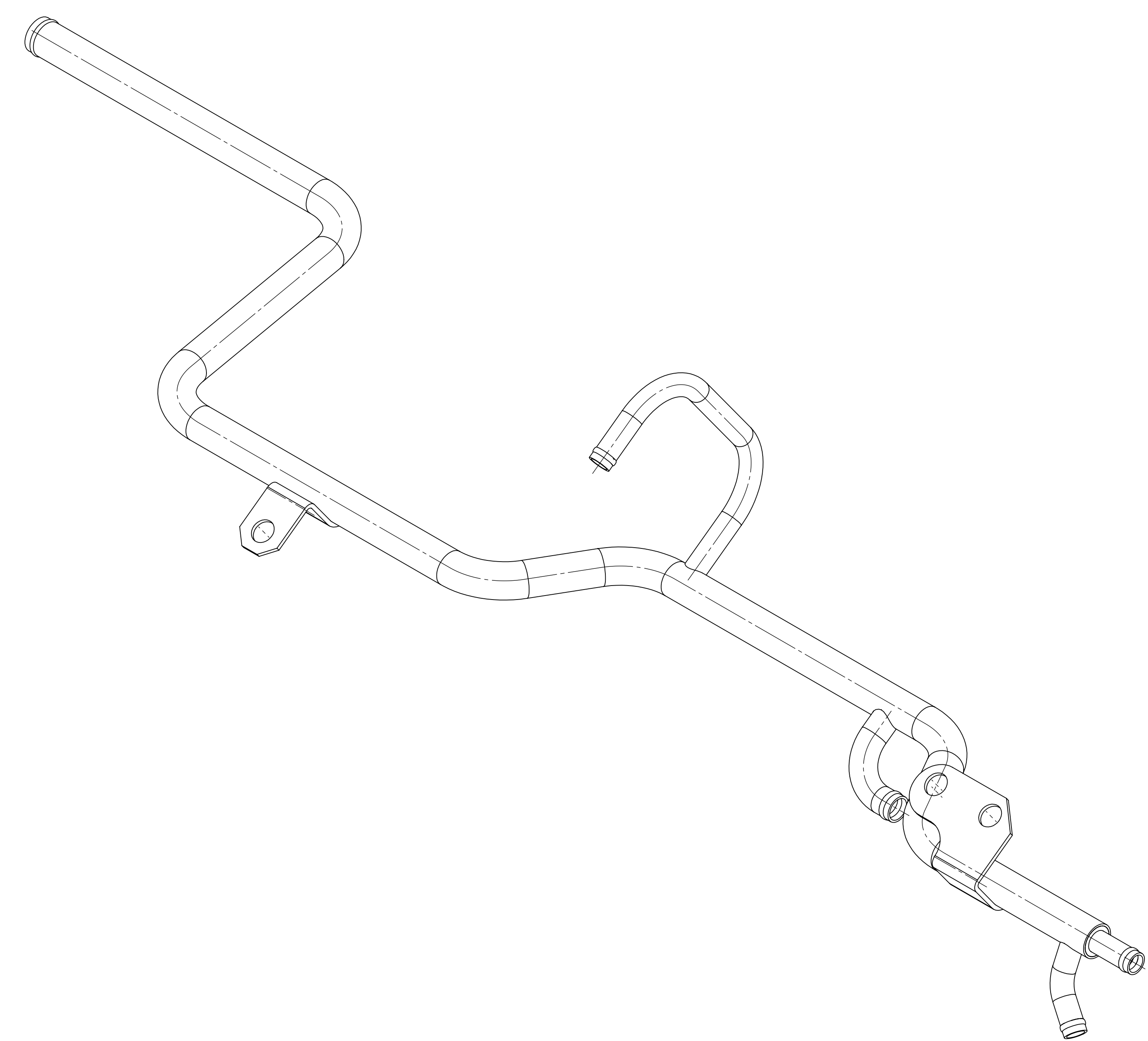


VIEW A
 54.00°
 SCALE 1 : 2



NAME: [] SCHAUER: [] DATE: [] CAD: [] APPROV: [] INFO: [] S.A.: []			PART: [] LIBRARY AND DRAWN SHARP EDGE: []			TECHNICAL DRAWING REVISION: []		
MATERIAL: Material not specified						DRAWING NO: 75-KW1051-112-WS ^{A0}		
WEIGHT: 4.12						SCALE: [] SHEET OF 1		