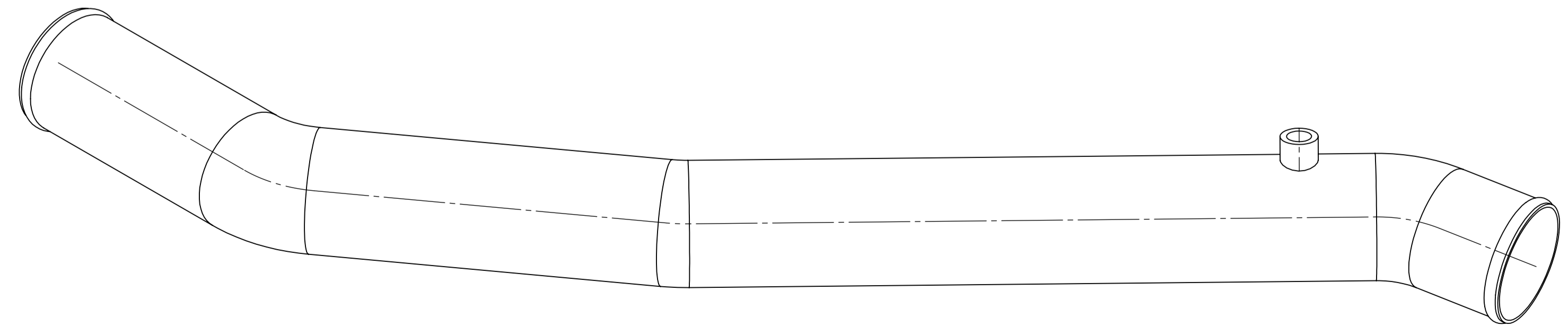
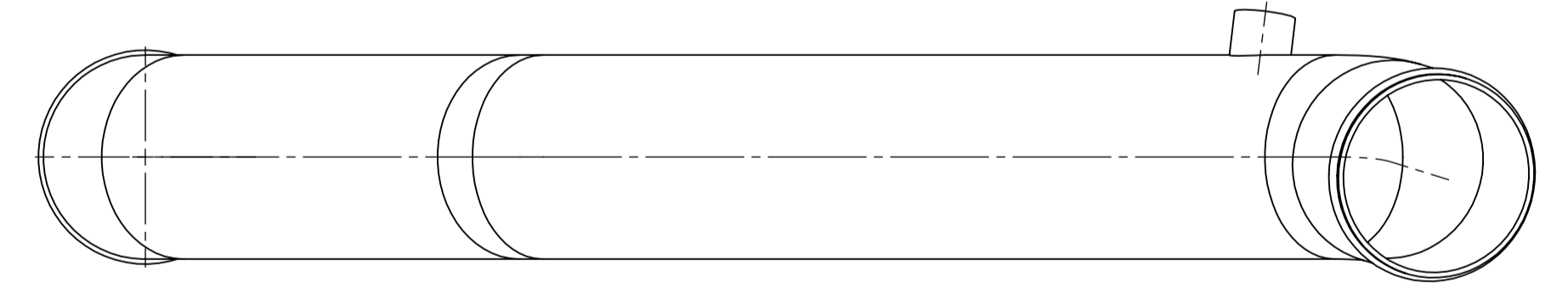
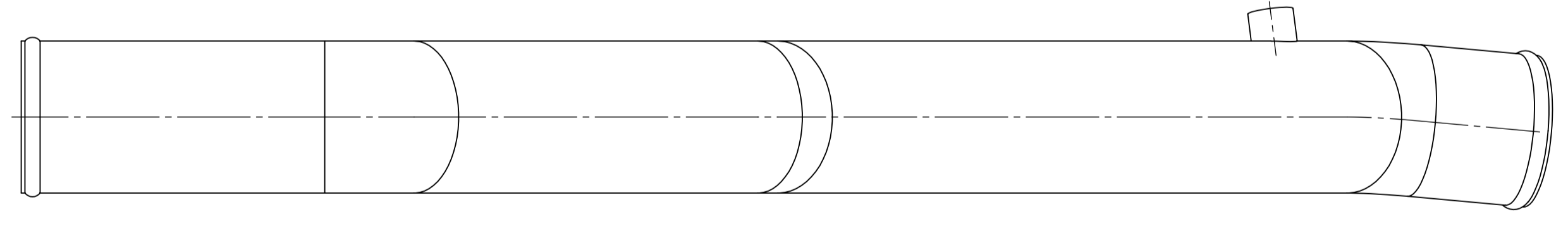


SECTION A-A

VIEW B



UNLESS OTHERWISE SPECIFIED: DIMENSIONS ARE IN MILLIMETERS		FINISH:	DEBURR AND BREAK SHARP EDGES		DO NOT SCALE DRAWING	REVISION
SURFACE FINISH:				TITLE:		
TOLERANCES:				SOUTHPOINTE RADIATOR		
LINEAR:				UPPER COOLANT		
ANGULAR:				TUBE		
NAME	SIGNATURE	DATE			DWG NO:	A1
DRAWN:					75-INT8594-PDF	
CHEK:					SCALE:1:2	
APPRV:					SHEET 1 OF 1	
MFG:						
Q.A.						
		MATERIAL:				
		WEIGHT: 4.51				