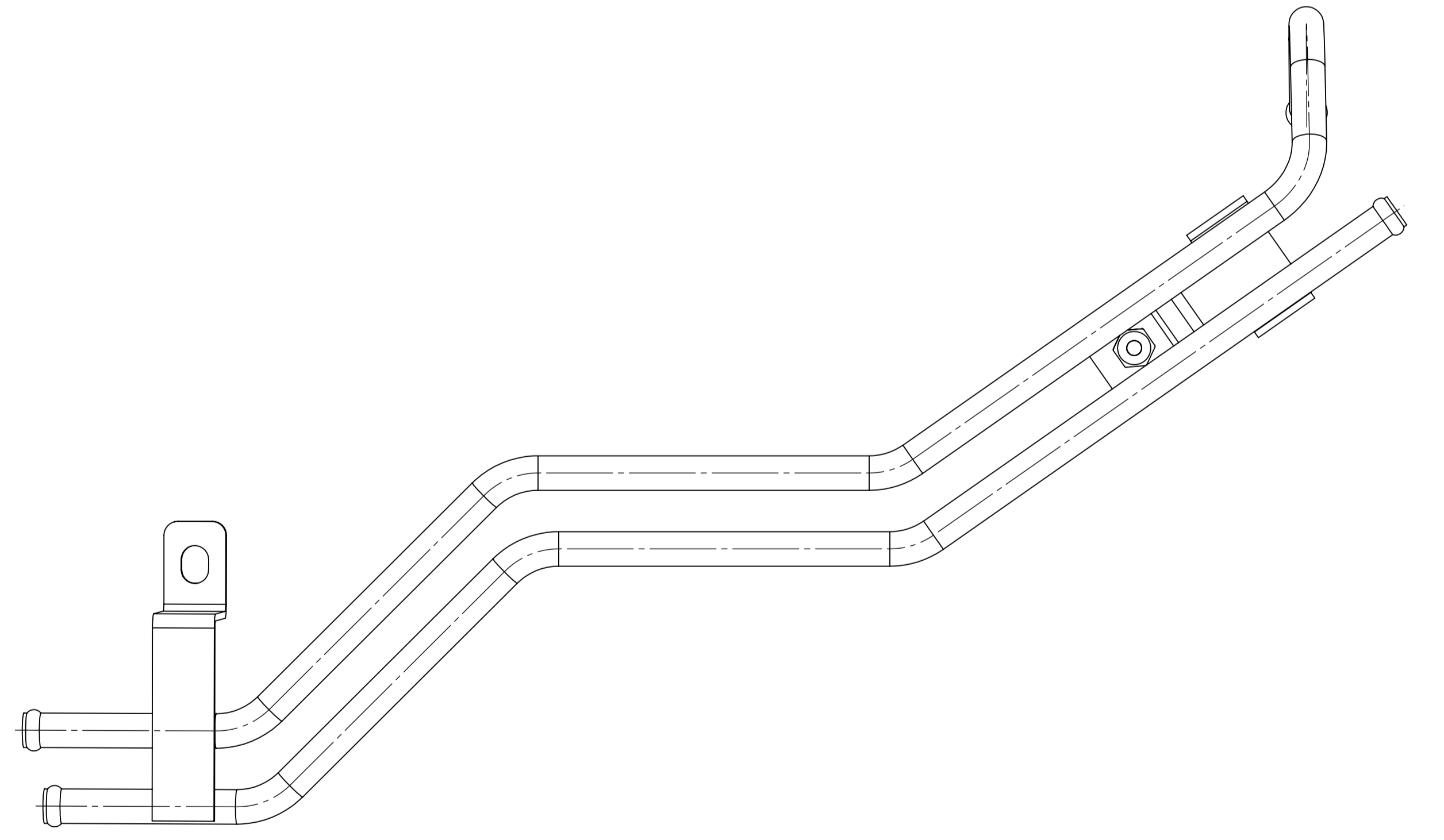
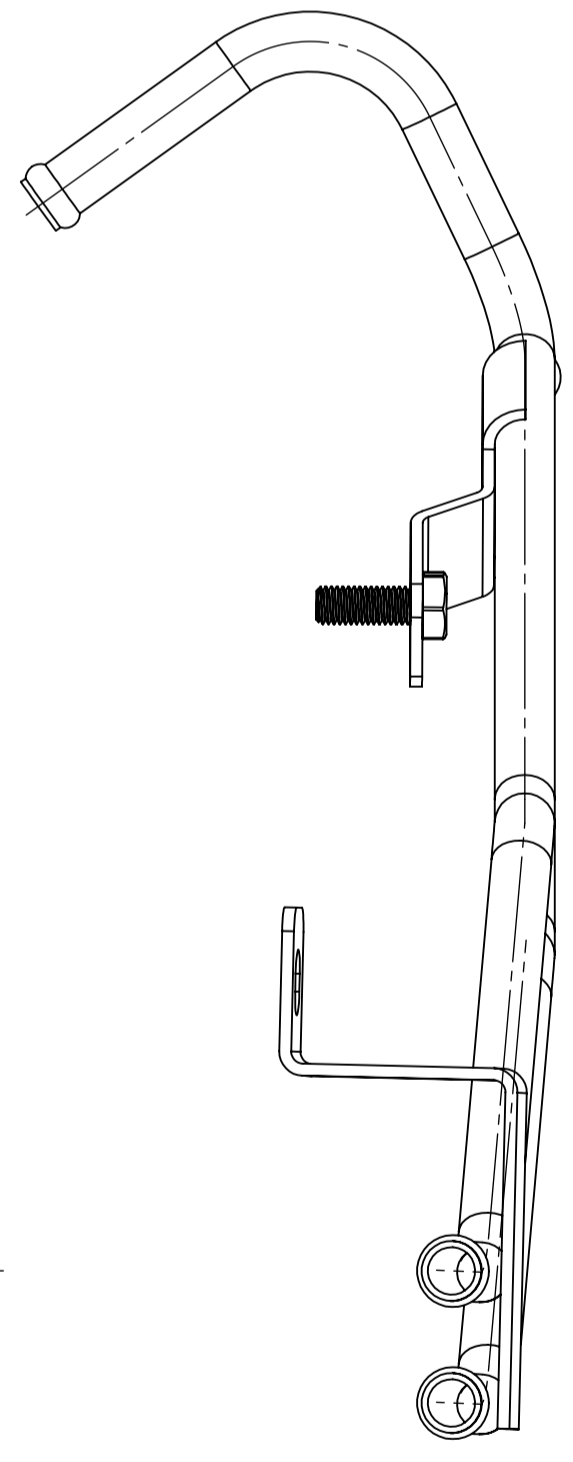
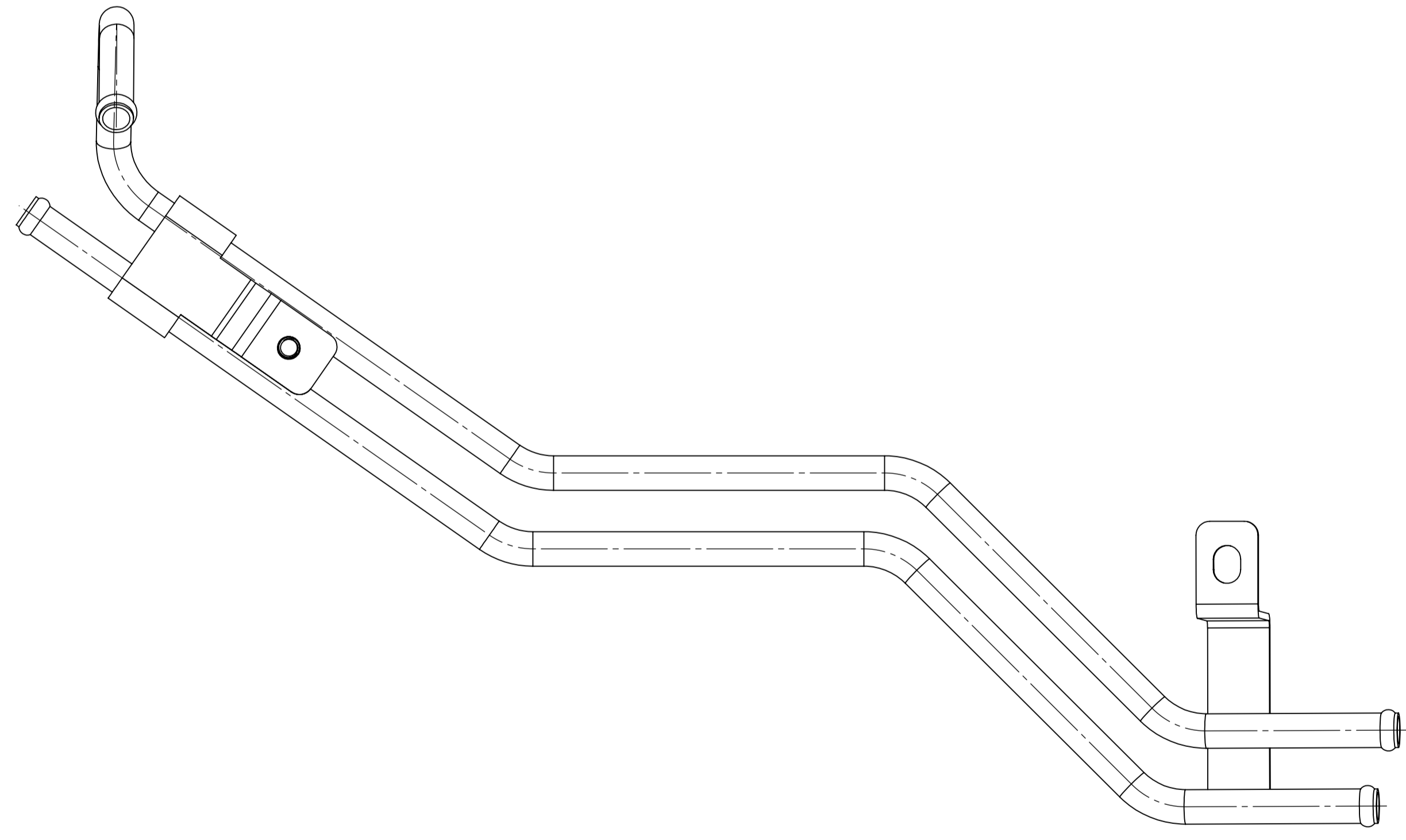
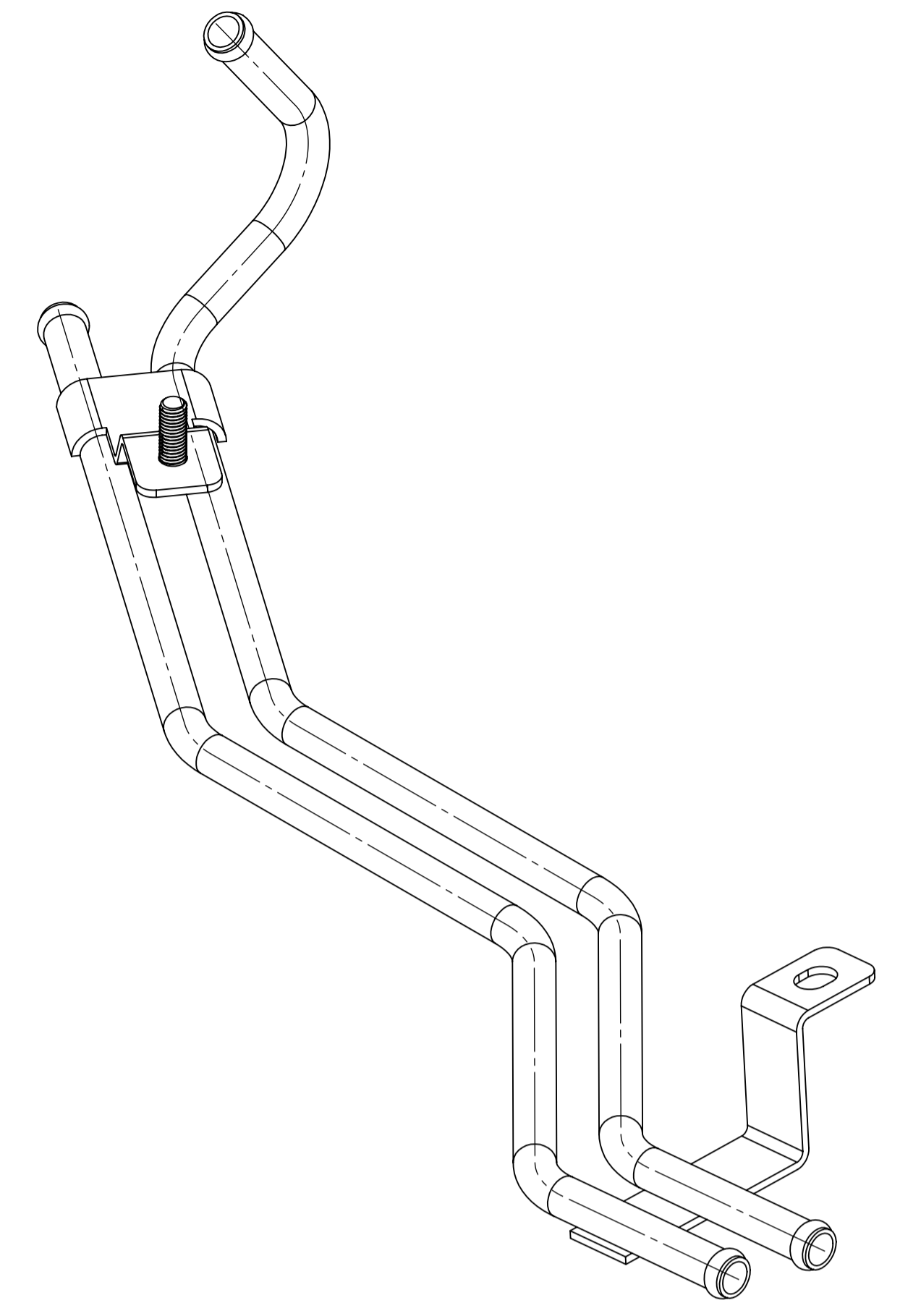
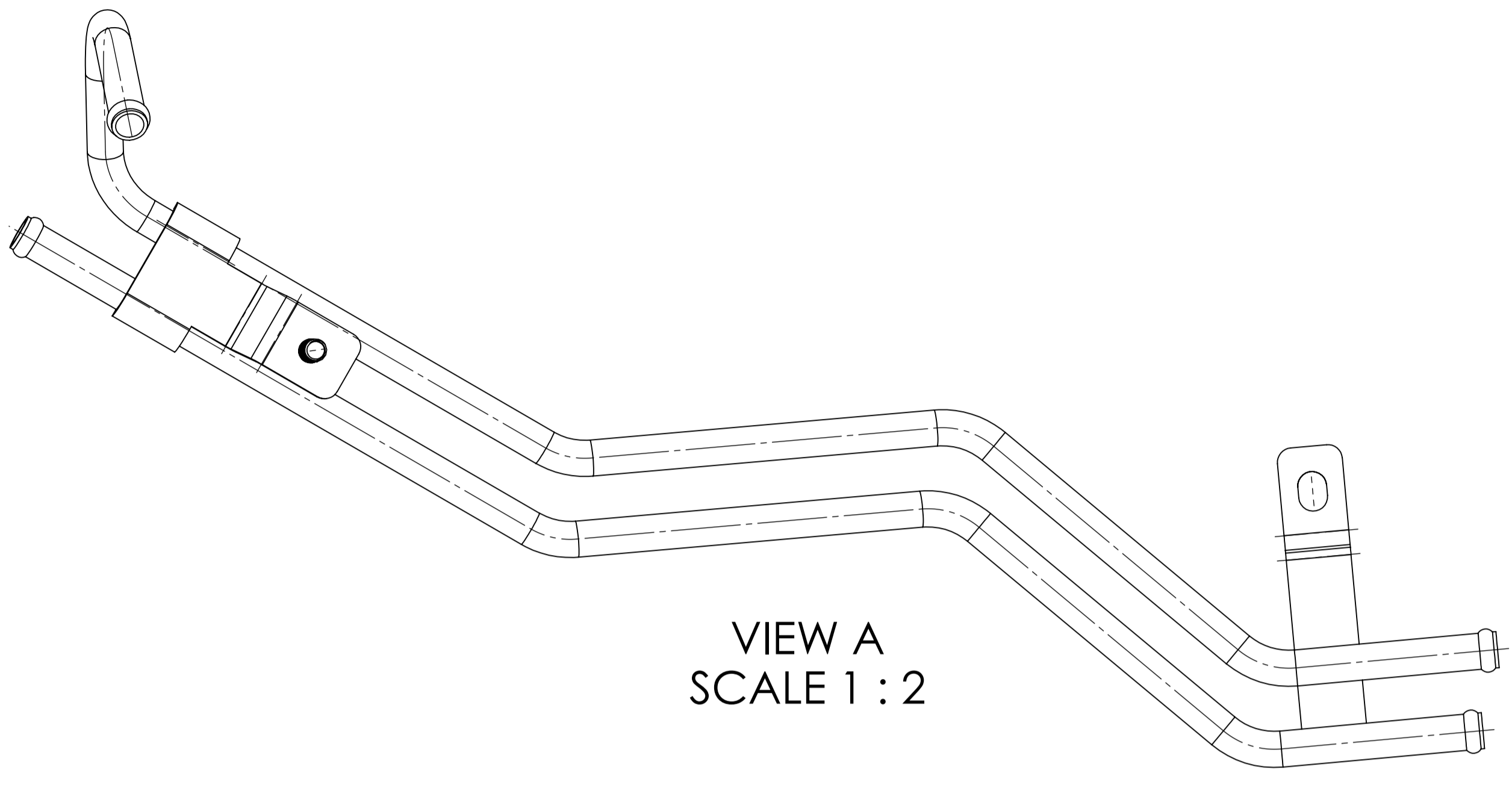


16 15 14 13 12 11 10 9 8 7 6 5 4 3 2 1

M L K J H G F E D C B A



UNLESS OTHERWISE SPECIFIED: DIMENSIONS ARE IN MILLIMETERS		FINISH:	DEBURR AND BREAK SHARP EDGES		DO NOT SCALE DRAWING	REVISION
SURFACE FINISH:				TITLE:		
TOLERANCES:				SOUTHPOINTE RADIATOR		
LINEAR:				HEATER LINE		
ANGULAR:				DWG NO.		
DRAWN:	NAME	SIGNATURE	DATE	75-4043495C1-PDF ^{A1}		
CHEK:				SCALE:1:5		
APPV:				SHEET 1 OF 1		
MFG:						
Q.A.						
		MATERIAL:				
		WEIGHT: 2.69				

16 15 14 13 12 11 10 9 8 7 6 5 4 3 2 1