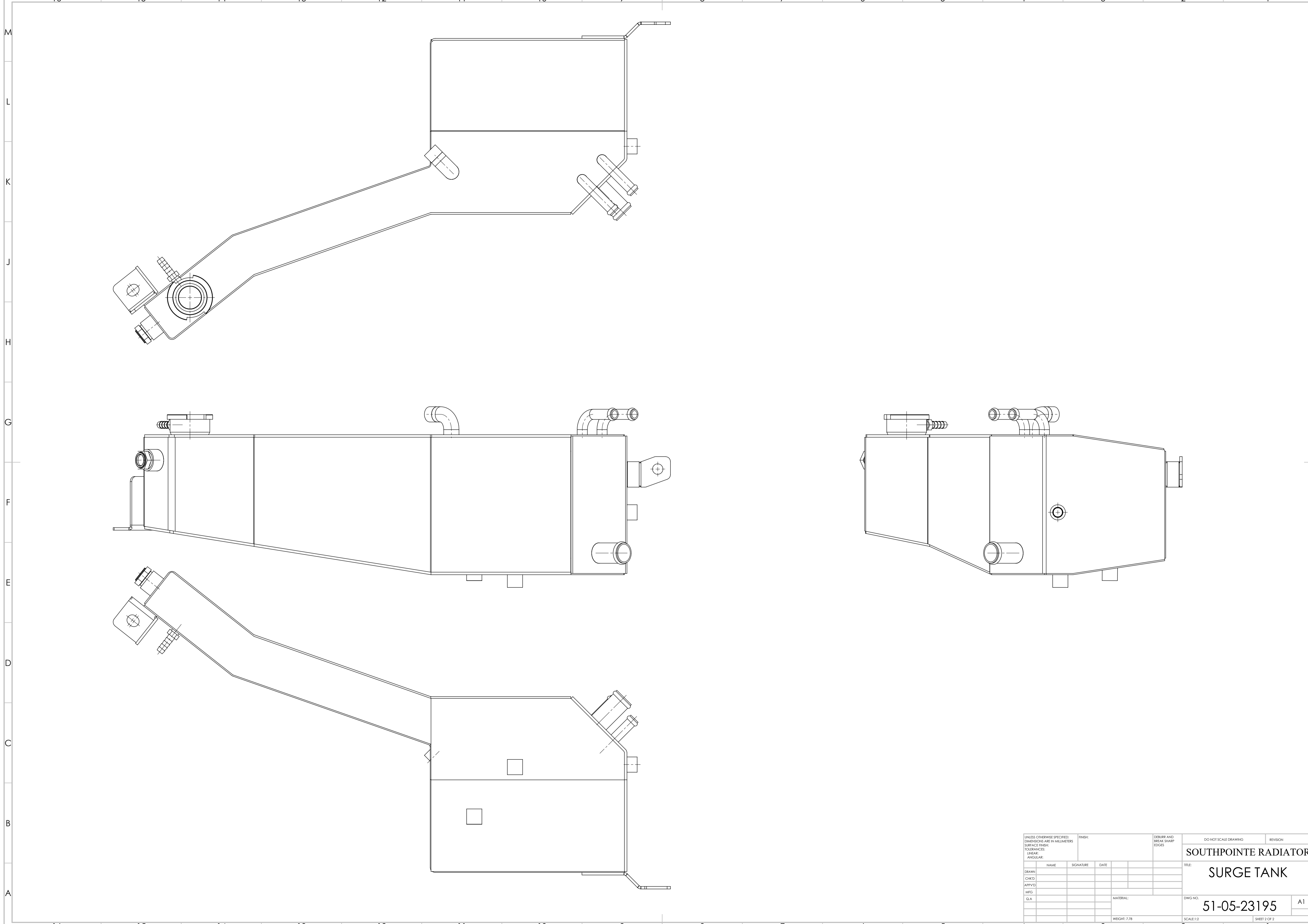


UNLESS OTHERWISE SPECIFIED: DIMENSIONS ARE IN MILLIMETERS		FINISH:	DEBURR AND BREAK SHARP EDGES		DO NOT SCALE DRAWING	REVISION
SURFACE FINISH:				TITLE:		
TOLERANCES:				SOUTHPOINTE RADIATOR		
LINEAR:				SURGE TANK		
ANGULAR:				DWG NO. 51-05-23195		A1
NAME	SIGNATURE	DATE				
DRAWN						
CHEK						
APPV						
MFG						
Q.A.						
		MATERIAL:		SCALE: 1:2		SHEET 1 OF 2
		WEIGHT: 7.78				



UNLESS OTHERWISE SPECIFIED: DIMENSIONS ARE IN MILLIMETERS		FINISH:	DEBURR AND BREAK SHARP EDGES		DO NOT SCALE DRAWING	REVISION
SURFACE FINISH:				TITLE:		
TOLERANCES:				SOUTHPOINTE RADIATOR		
LINEAR:				SURGE TANK		
ANGULAR:				DWG NO. 51-05-23195		A1
DRAWN:	NAME	SIGNATURE	DATE			
CHKD:						
APPVD:						
MFG:						
Q.A.:						
				MATERIAL:		
				WEIGHT: 7.78	SCALE: 1:2	SHEET 2 OF 2