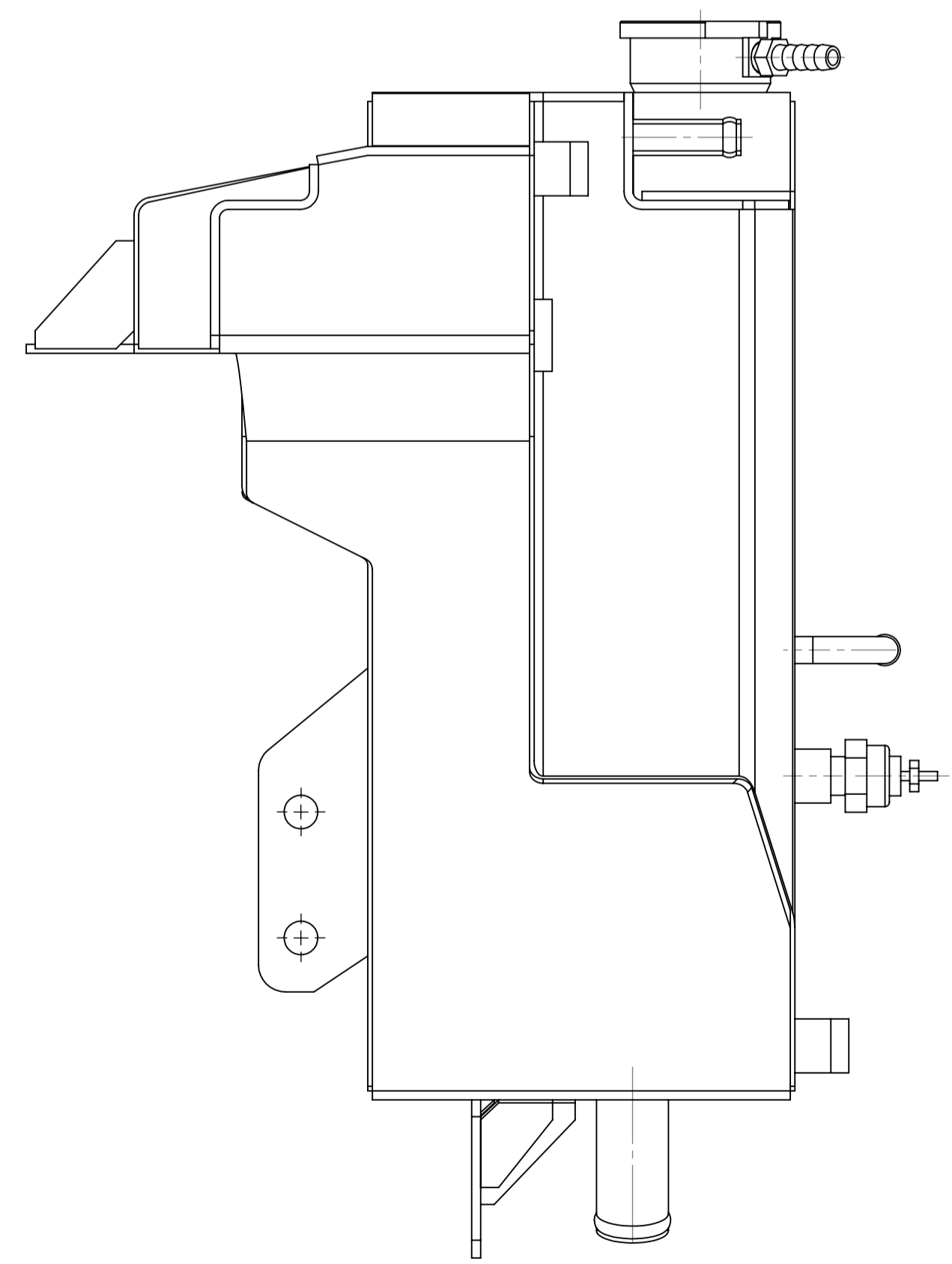
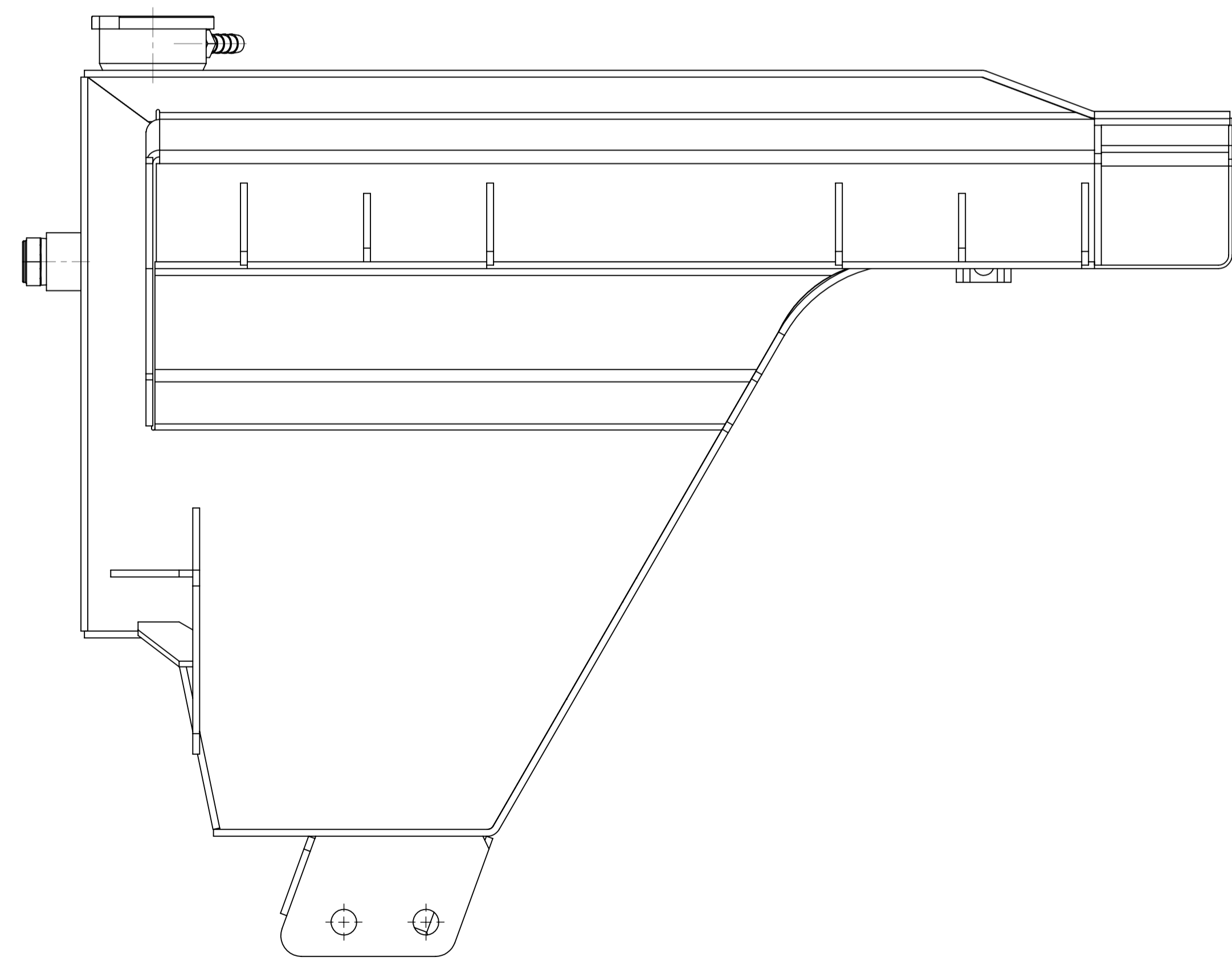
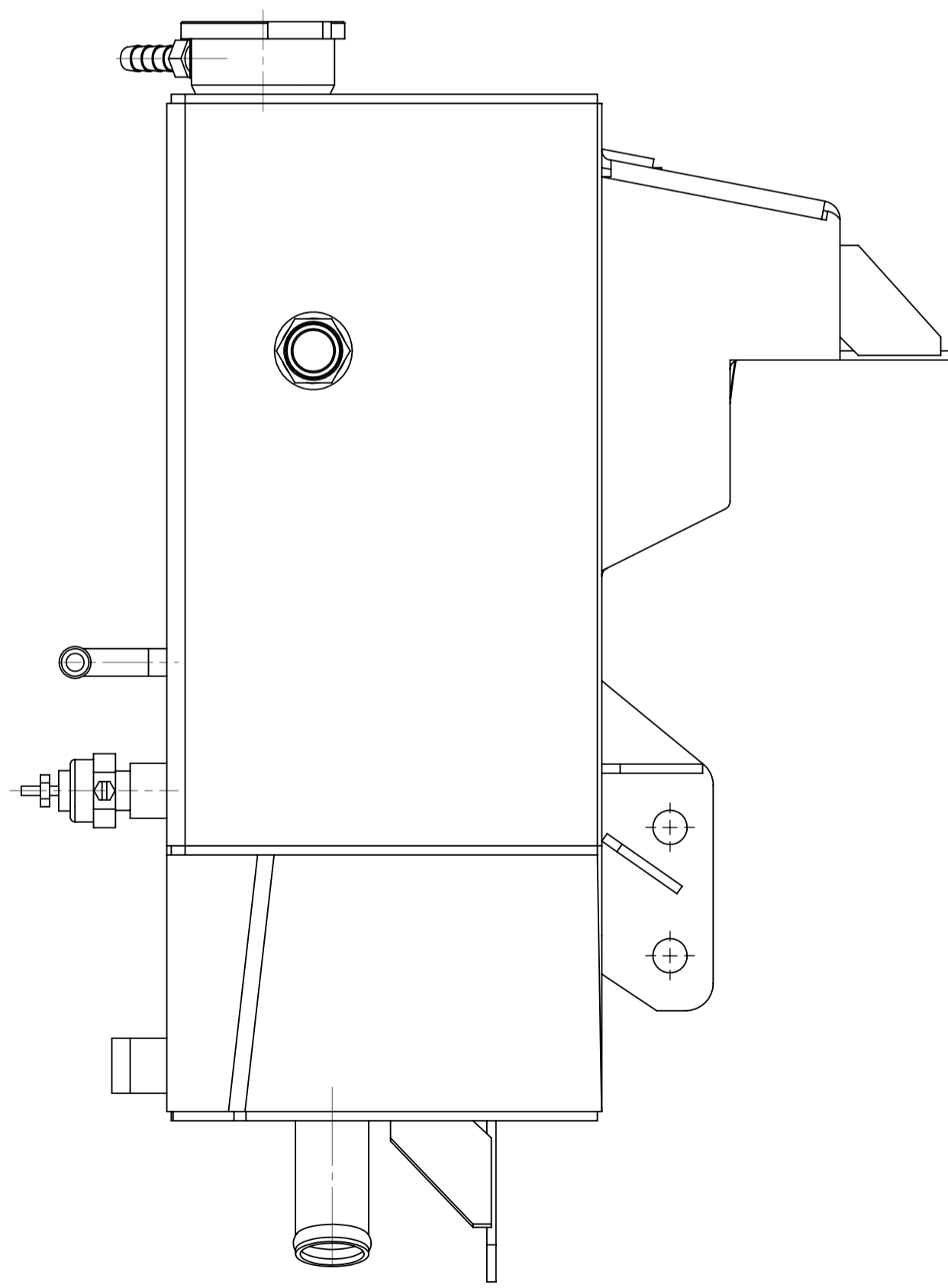
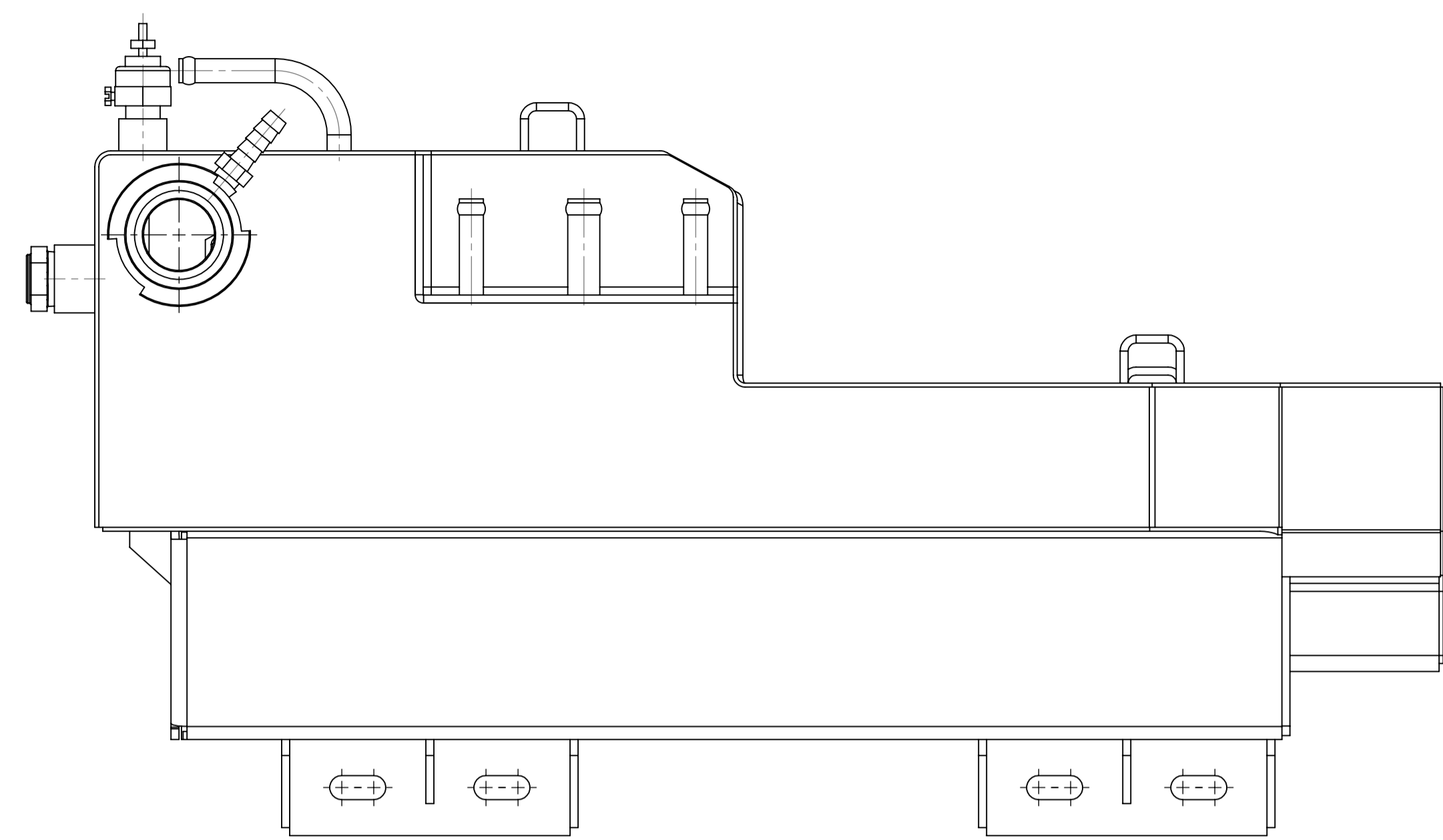
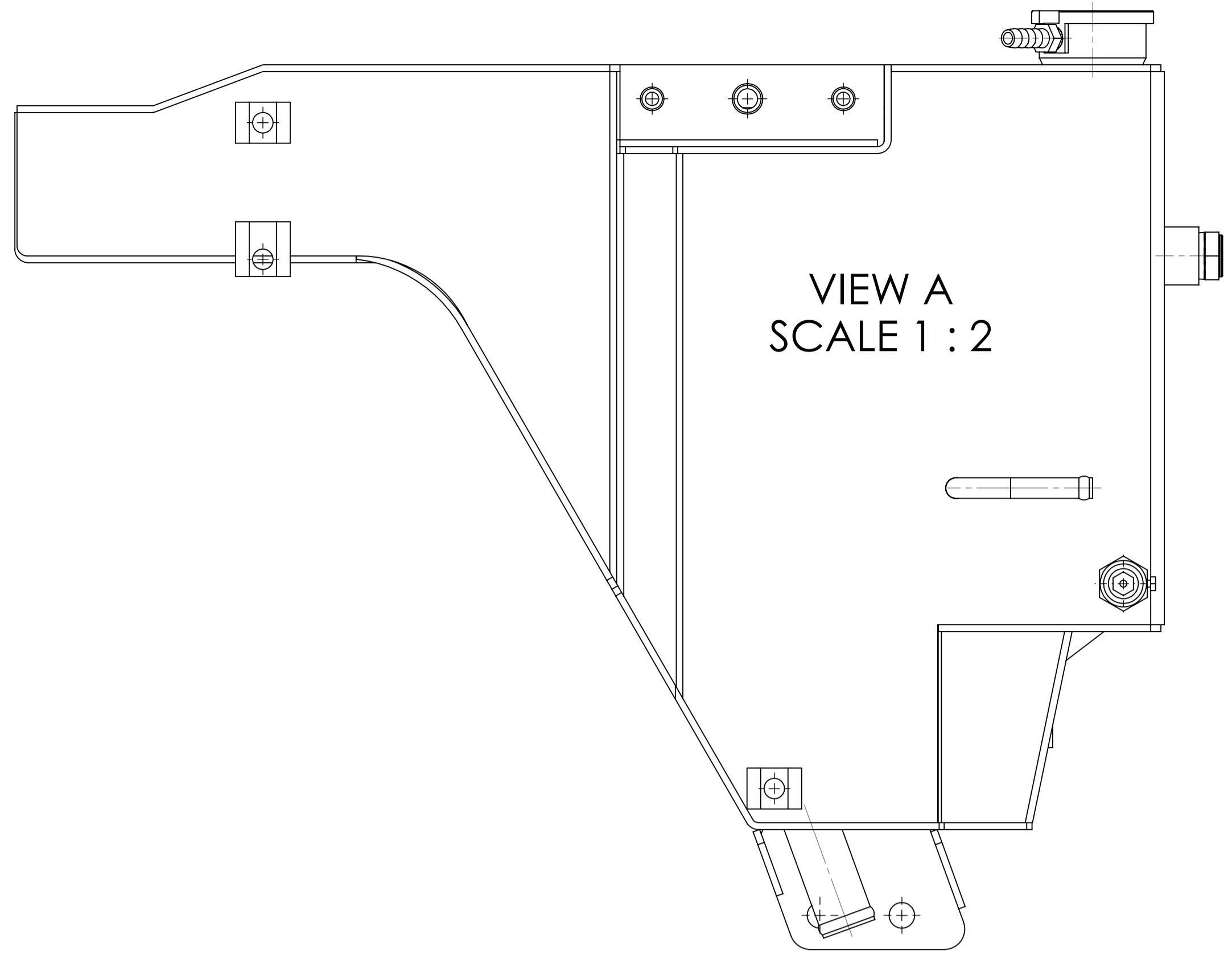


UNLESS OTHERWISE SPECIFIED: DIMENSIONS ARE IN MILLIMETERS			FINISH:	DEBUR AND BREAK SHARP EDGES	DO NOT SCALE DRAWING	REVISION
SURFACE FINISH:					SOUTHPOINTE RADIATOR	
TOLERANCES:					TITLE:	
LINEAR:					SURGE TANK	
ANGULAR:					DWG NO:	
DRAWN:	NAME:	SIGNATURE:	DATE:		51-2604896C3	
CHEK:					SCALE: 1:5	
APPVD:					SHEET 1 OF 2	
MFG:					A1	
G.A.:						
				WEIGHT: 10.17		



UNLESS OTHERWISE SPECIFIED: DIMENSIONS ARE IN MILLIMETERS		FINISH:	DEBURR AND BREAK SHARP EDGES		DO NOT SCALE DRAWING	REVISION
SURFACE FINISH:				SOUTHPOINTE RADIATOR		
TOLERANCES:				SURGE TANK		
LINEAR:				DWG NO.		A1
ANGULAR:				51-2604896C3		
NAME	SIGNATURE	DATE				
DRAWN:						
CHECKED:						
APPROVED:						
MFG:						
Q.A.						
		MATERIAL:		SCALE: 1:5		SHEET 2 OF 2
				WEIGHT: 10.17		