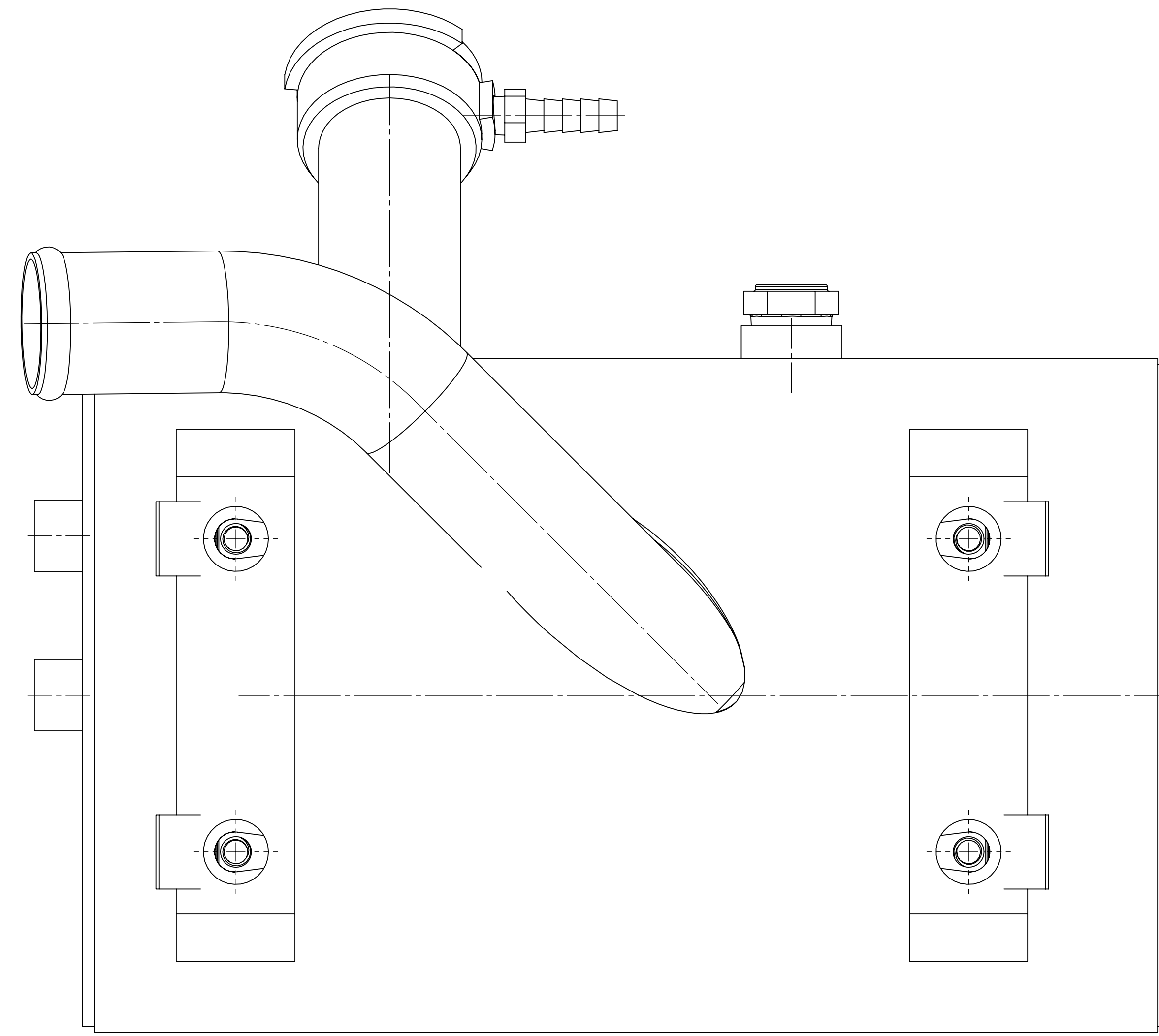
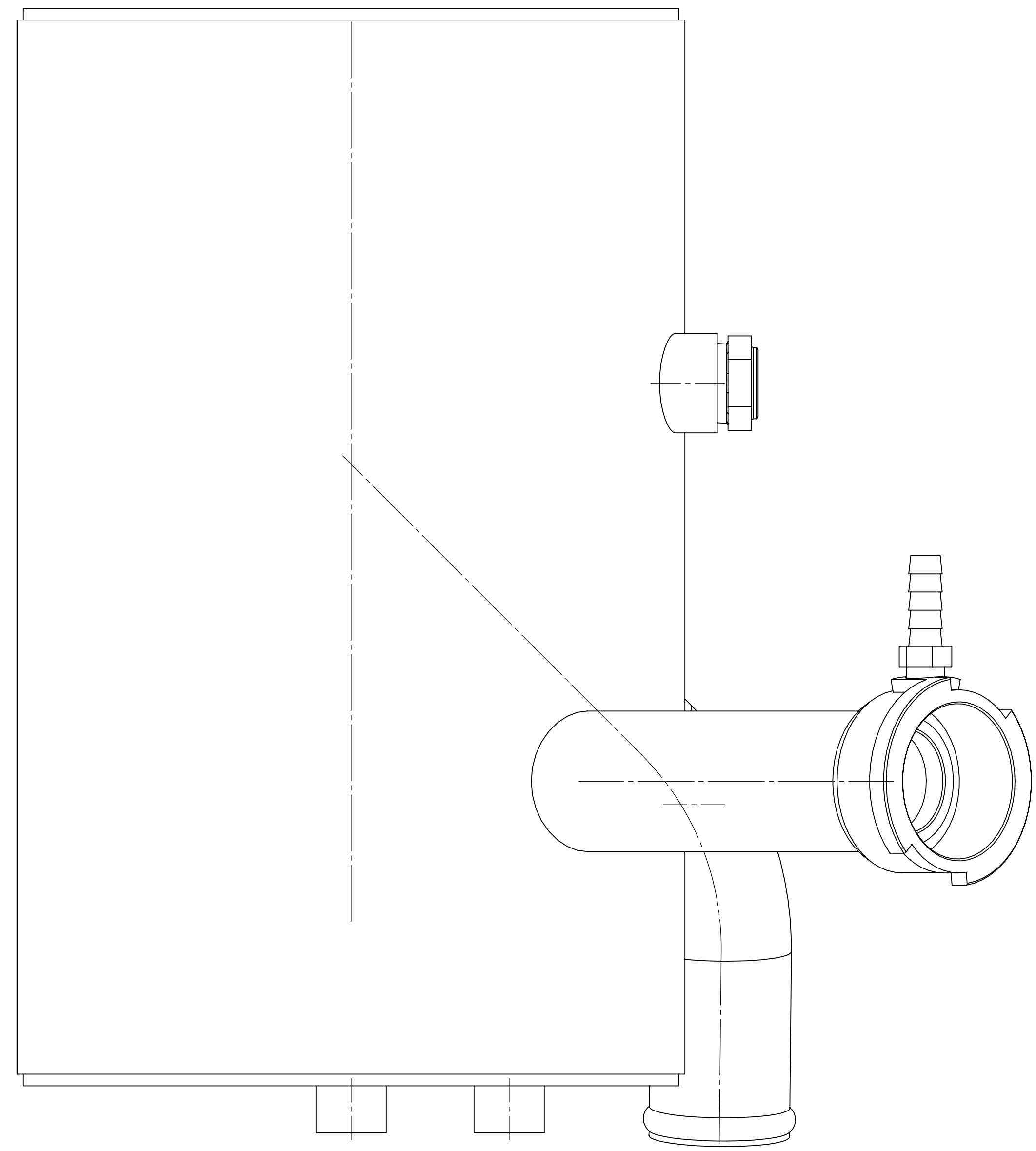
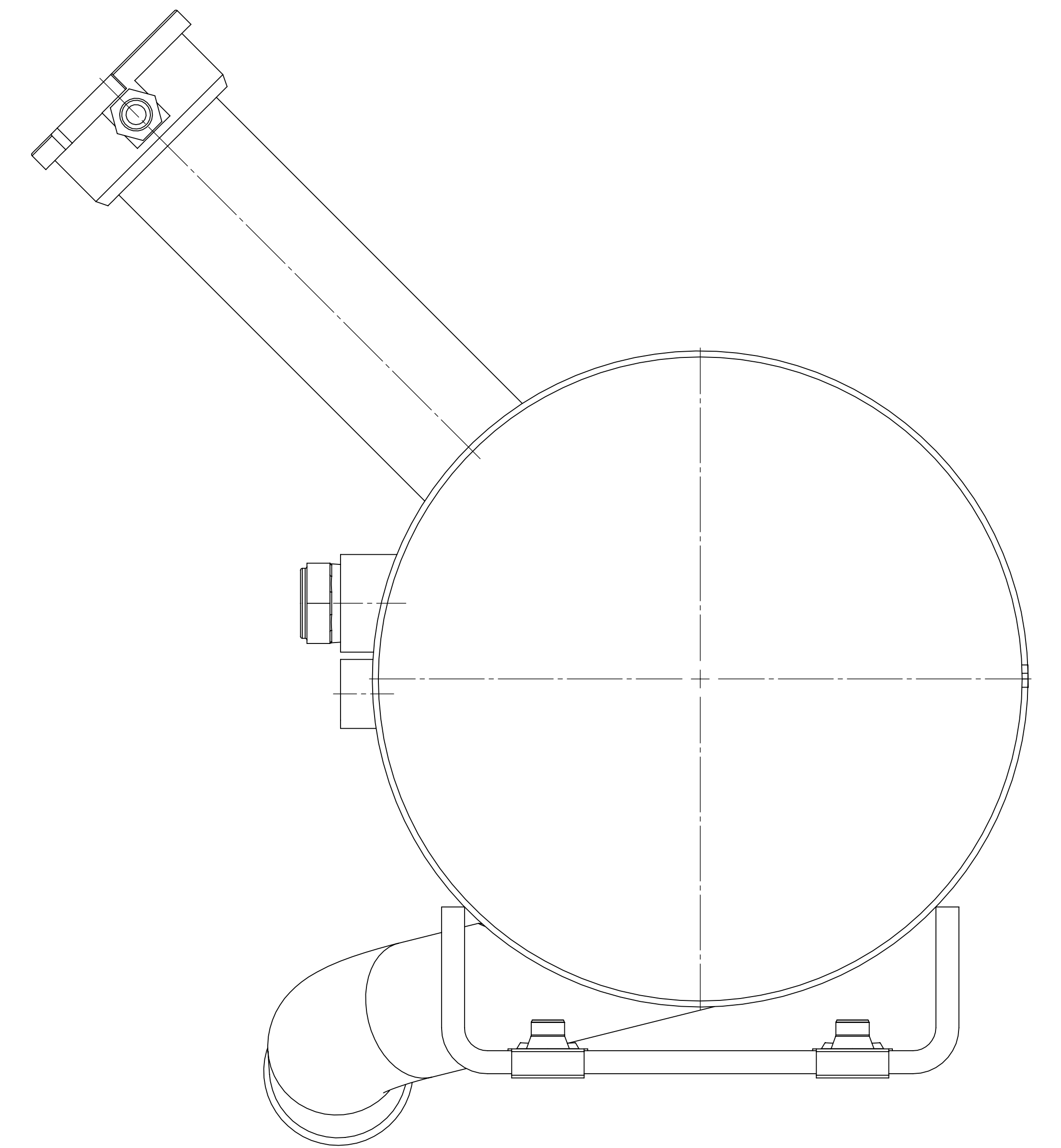
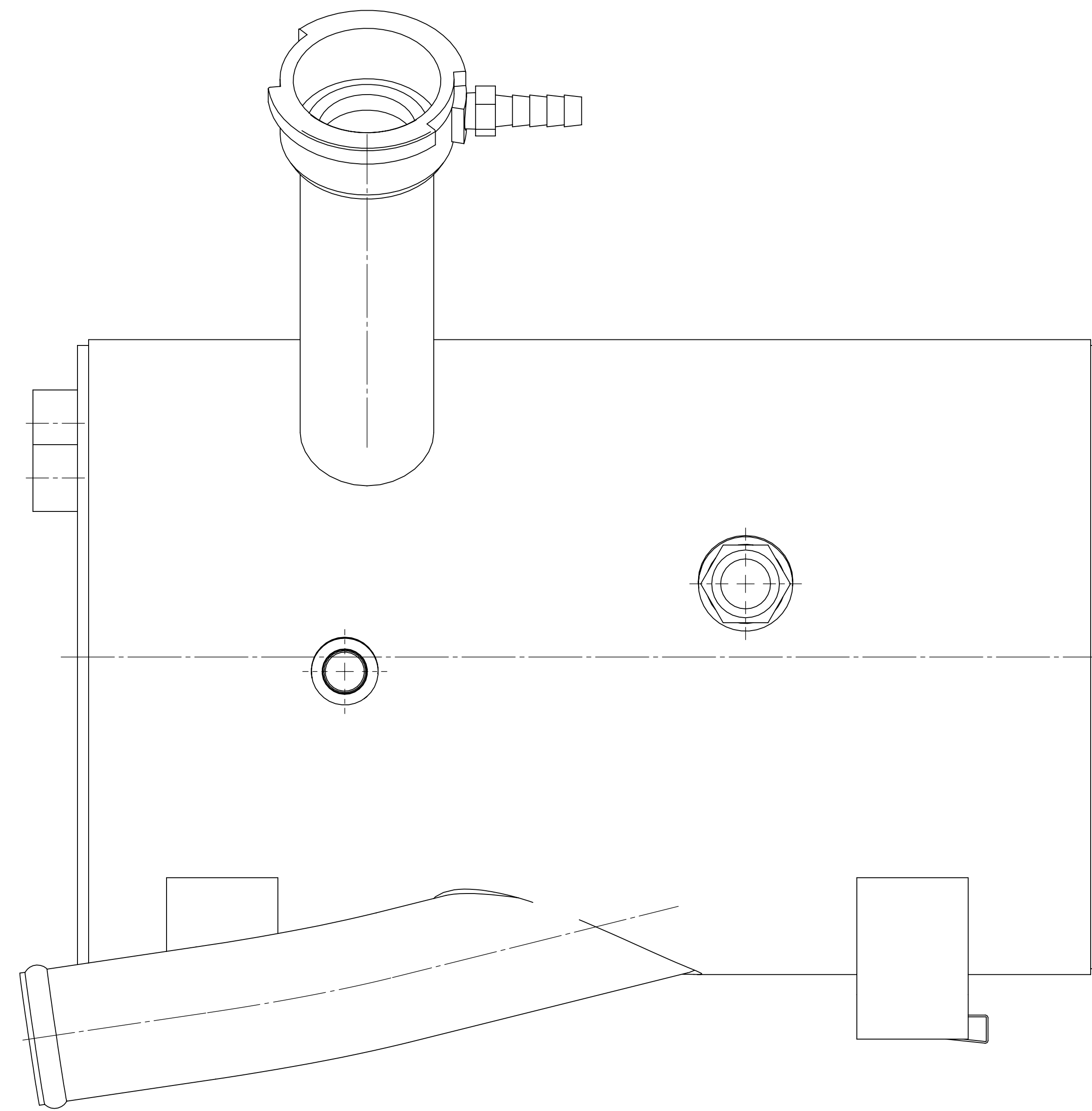
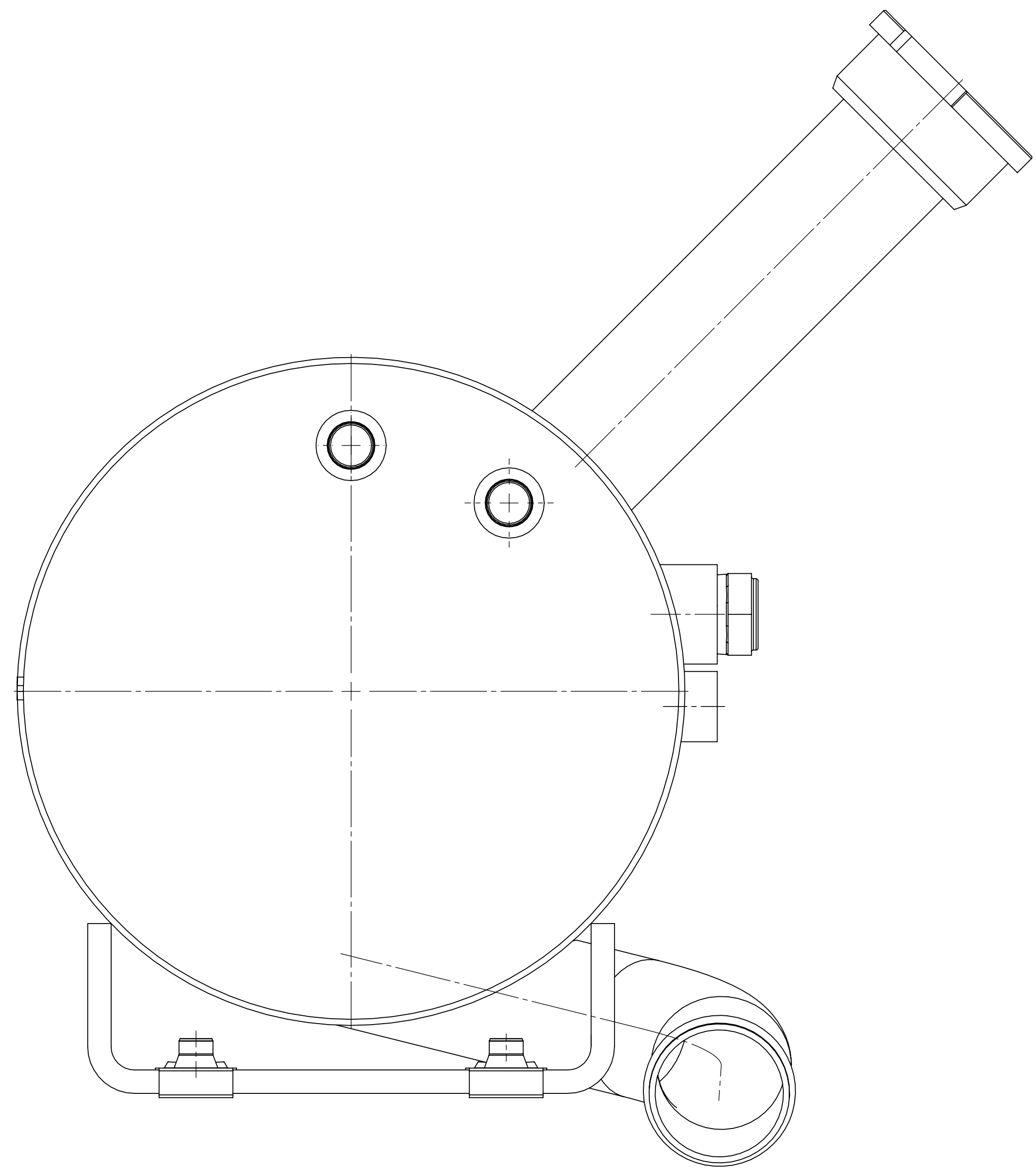


UNLESS OTHERWISE SPECIFIED: DIMENSIONS ARE IN MILLIMETERS DIMENSIONS IN PARENTHESES ARE IN INCHES			FINISH	UNLESS OTHERWISE SPECIFIED	SCHEITELZEICHENUNG	REVISION
NAME			SHAURE	DATE	TITLE	
DRAMA						
CRD						
APPROV						
INFO						
ISA						
MATERIAL			MATERIAL <not specified>		PROJEKT	
WEIGHT 1.08			SCALE 1:2		51-F86-1030-010	A0
					SHEET 2	2



VIEW A
SCALE 1 : 1



↑ A

TITEL		SCHNITTSCHEIBENANWISUNG		REVISION	
SOUTHPOINTE RADIATOR					
TITEL		SURGE TANK		A0	
PROJEKT-NR.		51-F86-1030-010		SCHEITEL 2	
MATERIAL		Material <not specified>		WEIGHT 1.08	
DRAWN		NAME		DATE	
CHKD		SCHAUER			
APPROV		DATE			
MFG					
S.A.					
FINISH					
LIBRARY AND DRAWN SHARP EDGE					
DIMENSIONS ARE IN MILLIMETERS					
TOLERANCES UNLESS SPECIFIED					
DRAWN					